

**NOTES**

**LOCATION AND ELEVATION:** When given on the plans, the location and the elevation are at the top center of the grate. Place the orifice holes at the elevations as shown on the plans.

**BASIN MATERIALS:** Provide basin dimensions, materials, and grate per CB-1.2, except as detailed here. Do not use side inlet windows.

Meet **CMS 203.02 H, NATURAL GRANULAR MATERIALS** and specified gradations for all aggregate shown.

**RISER PIPE:** Use schedule 40 Polyvinyl Chloride Conduit with perforations only as detailed in the plans.

**TRASH SKIMMER:** Use trash skimmer screens to protect the perforated riser. It must extend from the top of the riser to 2' below the permanent pool level and be open at the top and bottom. The radius of the trash skimmer is 3 times the diameter of the riser pipe or as shown on the plans. Provide stainless steel or galvanized steel trash skimmer per CMS 711.02. Maximum perforation size is 2 inches. Securely fasten trash skimmer to the basin using hardware galvanized per CMS 711.02.

**STABILIZER AND ANCHOR STRAP:** Securely fasten the riser pipe to the basin in the vertical position using a stabilizer and anchor strap that consists of a universal clamp or a strap and a block. Use only galvanized or stainless steel for metal components. All other materials must be rot resistant.

**PAYMENT:** All materials and labor, including excavation and backfill, are paid for at the contract price for **Item 611 - Water Quality Basin, Retention (Detention)**.

STATE OF OHIO DEPARTMENT OF TRANSPORTATION HYDRAULIC ENGINEER  
Jeffery E. Syar

REVISIONS  
4-16-04  
7-20-12  
1-18-13

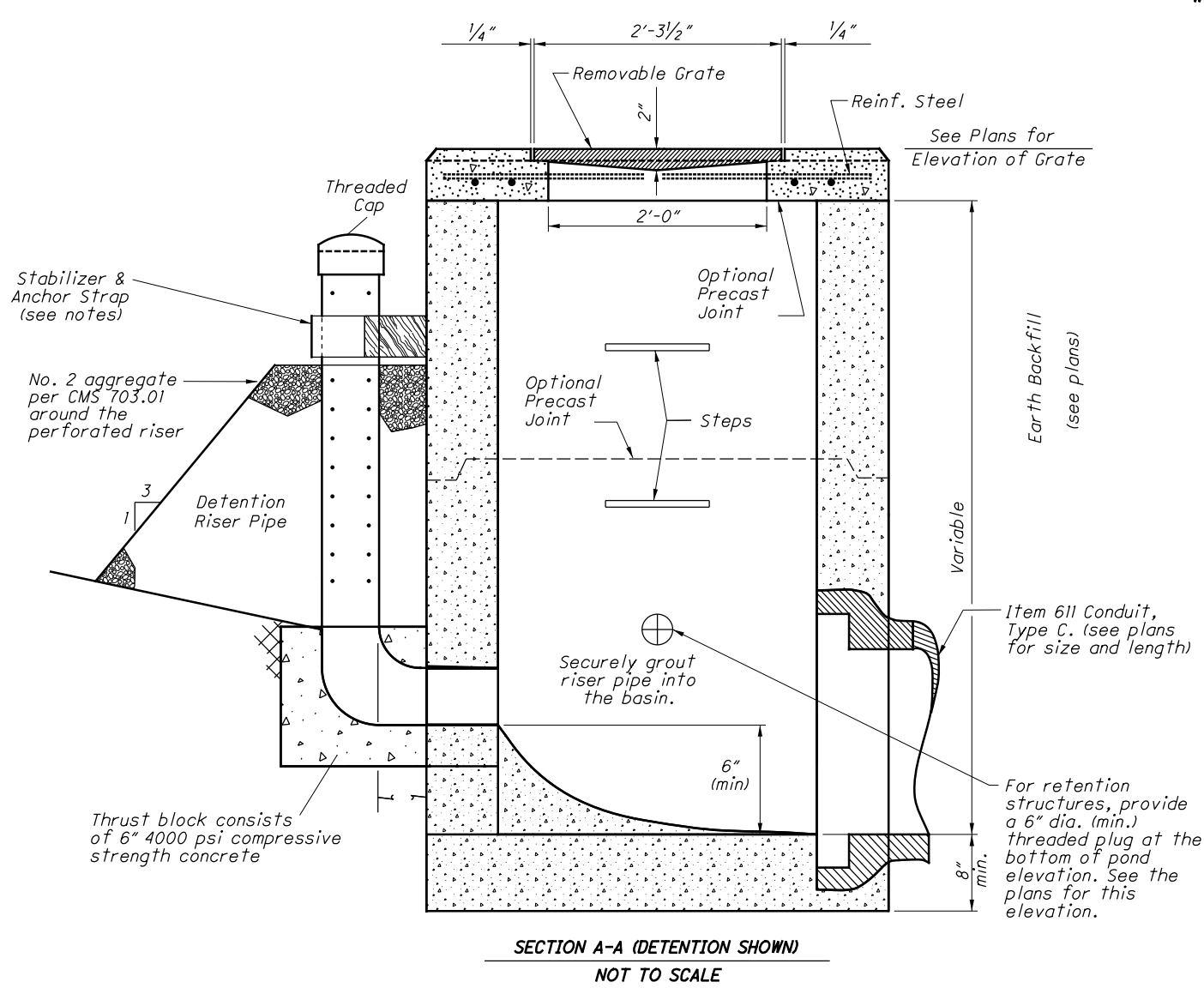
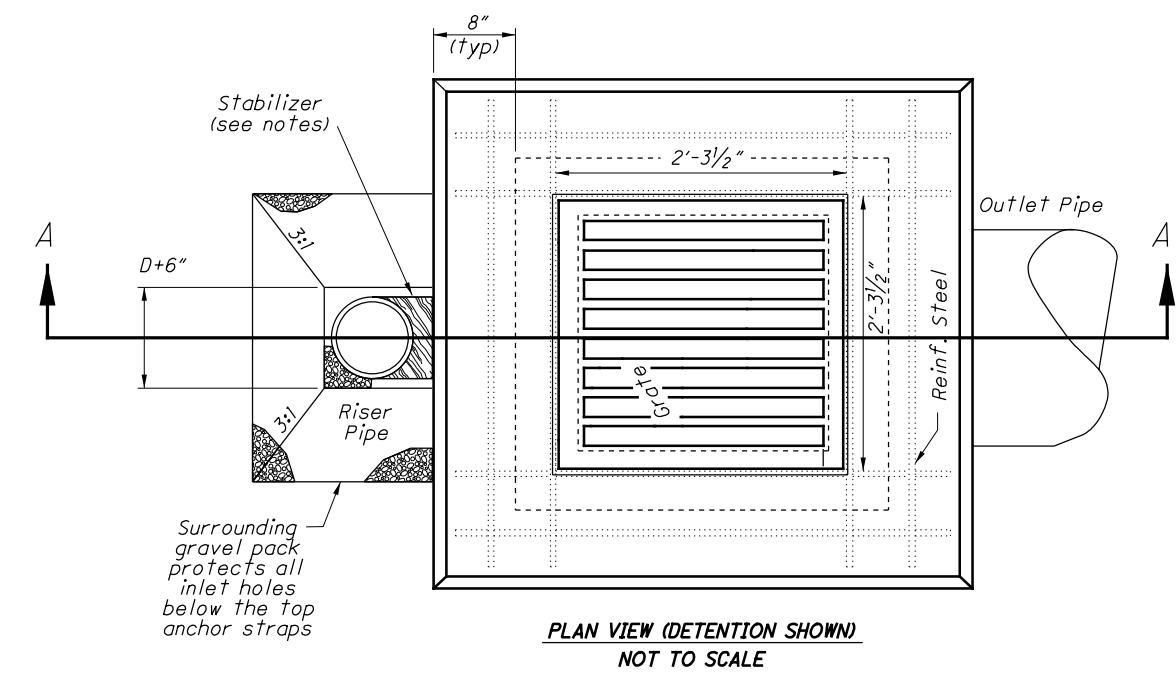
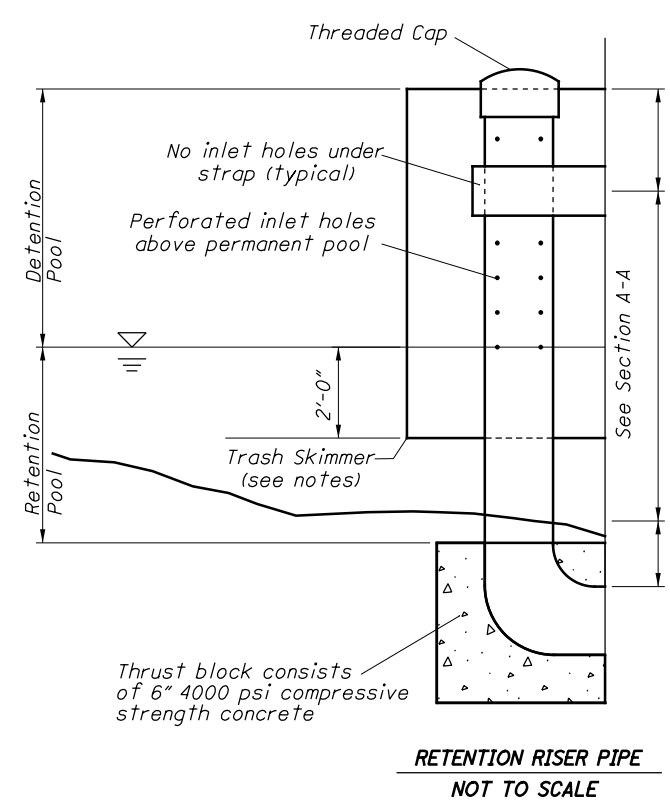
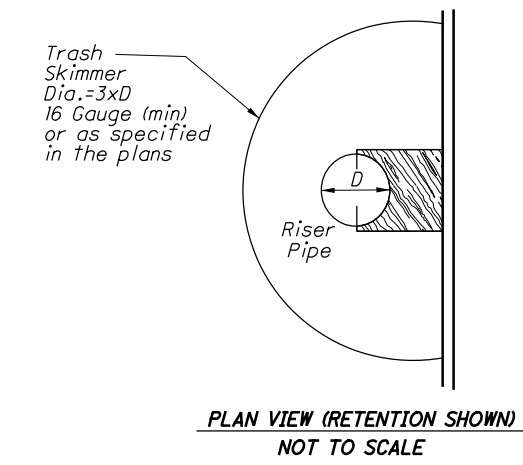
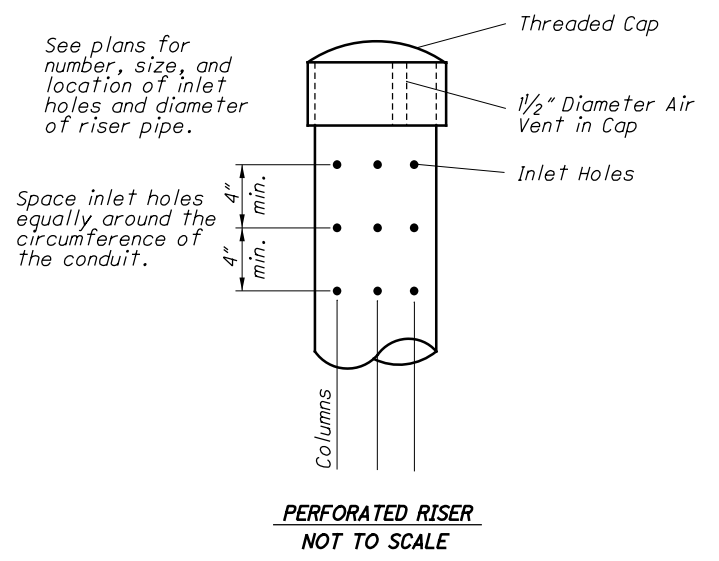
ROADWAY HYDRAULIC ENGINEER  
Humphreys

OFFICE OF HYDRAULICS ENGINEERING

STANDARD HYDRAULIC CONSTRUCTION DRAWING  
WATER QUALITY BASINS

SCD NUMBER  
WQ-1.1

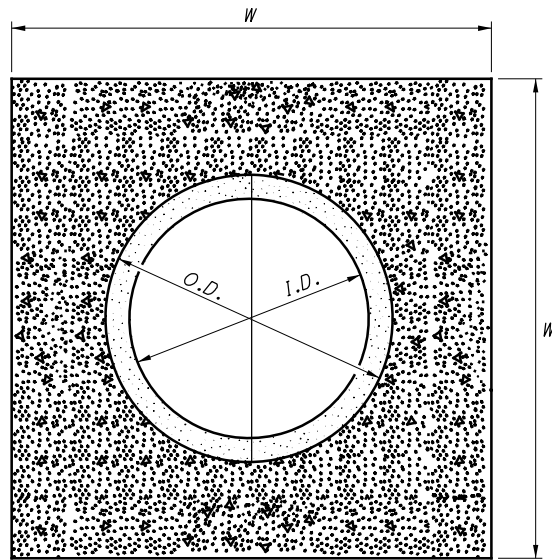
1 / 1



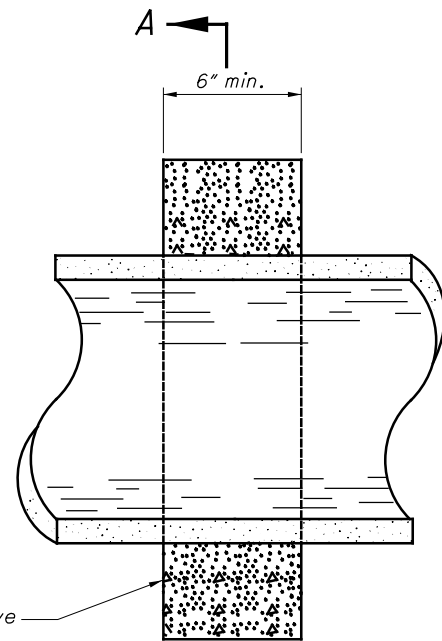
RISER DIAMETER (in.)	HOLE DIAMETER, INCHES			
	1/4"	1/2"	3/4"	1"
4	8	8	--	--
6	12	12	9	
8	16	16	12	8
10	20	20	14	10
12	24	24	18	12

I:\VODOTcadd\Standards\ODOT\Sheets\SCD\Hydraulics\WQ-1.1\_2013-01-18.dgn Sheet 1/27/2017 10:20:38 AM jyoung6

I:\ODOT\cadd\Standards\ODOT\Sheets\SCD\Hydraulics\WQ-1.2\_2013-01-18.dgn Sheet 1/27/2017 10:20:43 AM jyoung6



SECTION A-A  
(NTS)



ANTI-SEEP COLLAR  
(NTS)

DIAMETER (I.D.) (FT.)	CONCRETE (C.Y.)		
	DIMENSION OF COLLAR W X W (FT.)		
	3X3	4X4	5X5
1	0.15	0.28	0.45
2	N/A	0.24	0.40
3	N/A	N/A	0.33

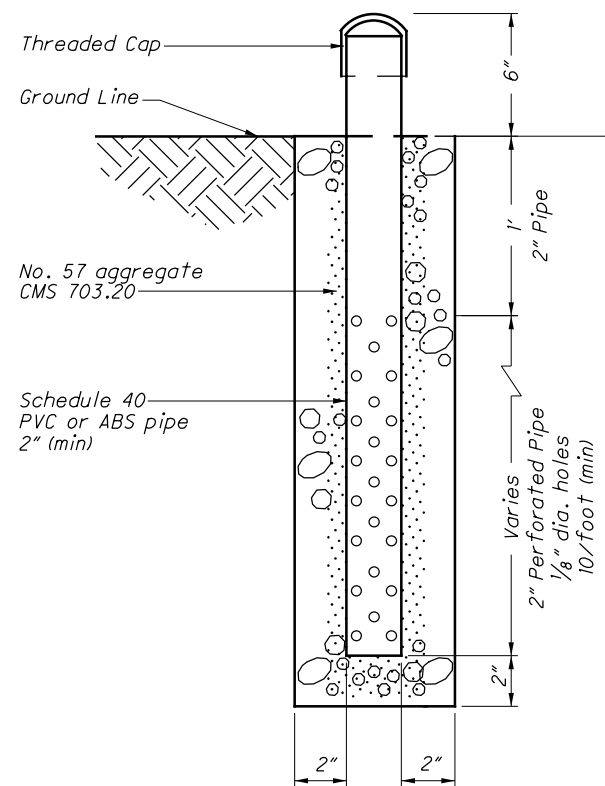
NOTES

**ANTI-SEEP COLLARS:** Provide an anti-seep collar as shown in the plans. Payment for the collar is at the contract price for **ITEM 602, CONCRETE MASONRY.**

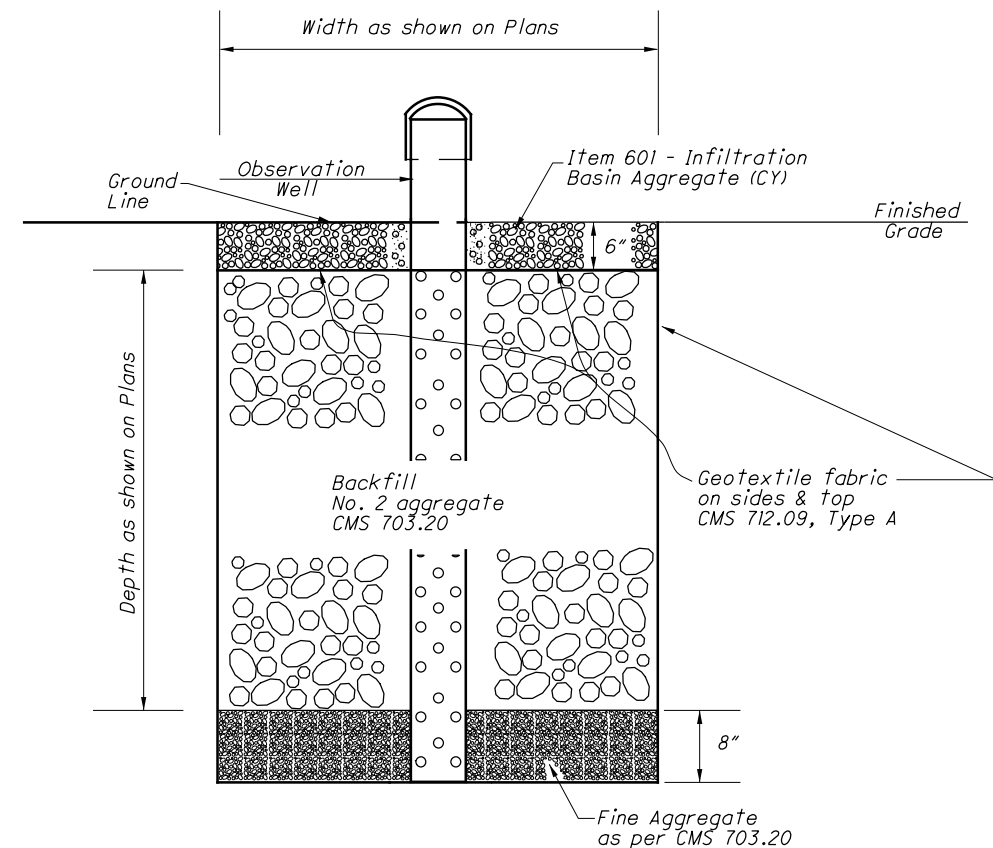
**OBSERVATION WELL:** Construct the observation well to a depth and location as shown in the plans. All materials and labor including excavation and backfill are paid for at the contract price for **ITEM 611, OBSERVATION WELL.**

**INFILTRATION TRENCH:** Construct the infiltration trench to the dimensions shown on the plan. The top 6 inch covering is paid for at the contract price for **ITEM 601, INFILTRATION BASIN AGGREGATE.**

All other materials and labor, including excavation, geotextile fabric, and backfill are paid for at the contract price for **ITEM 601 SPECIAL, INFILTRATION TRENCH.**



OBSERVATION WELL  
NO SCALE



INFILTRATION TRENCH  
NO SCALE

STATE OF OHIO DEPARTMENT OF  
TRANSPORTATION HYDRAULIC ENGINEER

Jeffery E. Syar

REVISIONS  
1-20-06  
4-21-08  
10-17-08  
7-20-12  
1-18-13  
1-15-16

ROADWAY HYDRAULIC  
ENGINEER

Humphreys

OFFICE OF  
HYDRAULICS  
ENGINEERING

STANDARD HYDRAULIC CONSTRUCTION DRAWING  
WATER QUALITY - MISCELLANEOUS

SCD NUMBER  
WQ-1.2