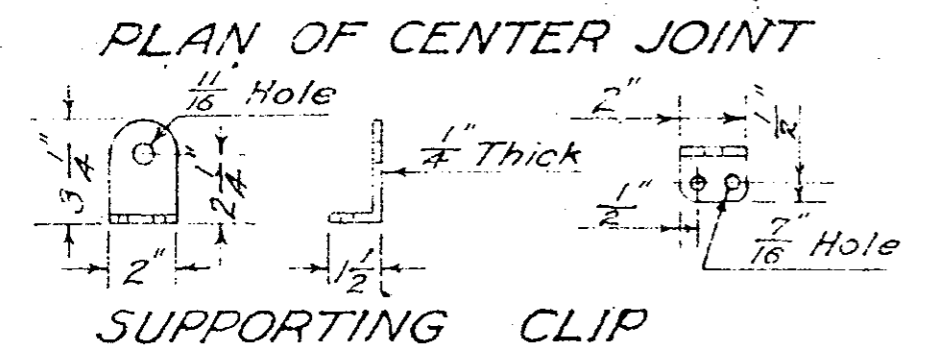
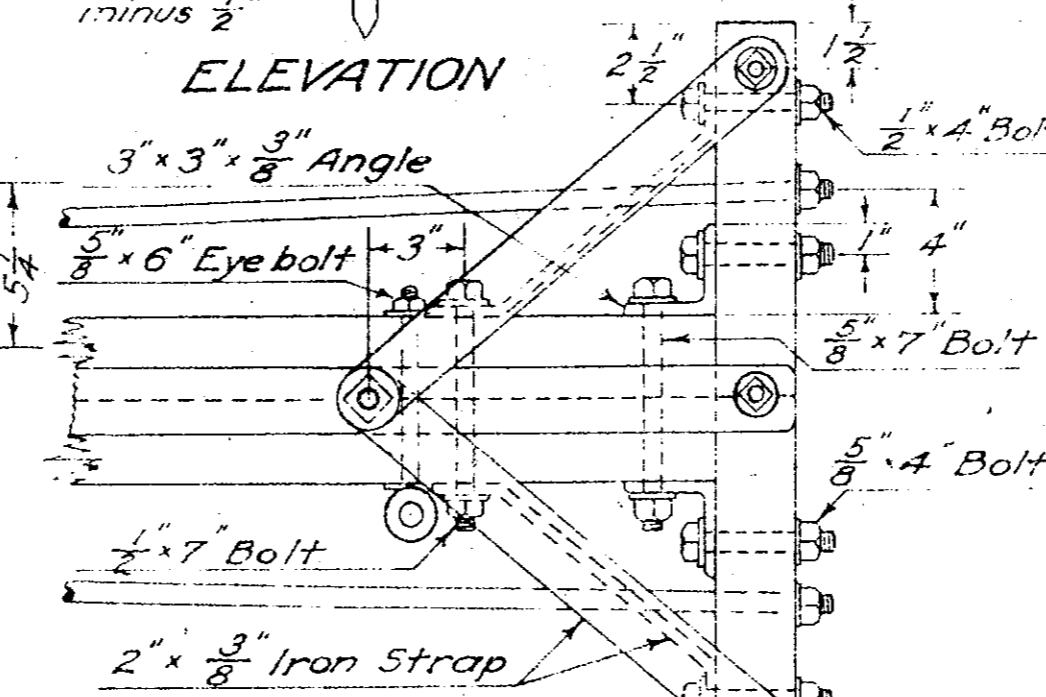
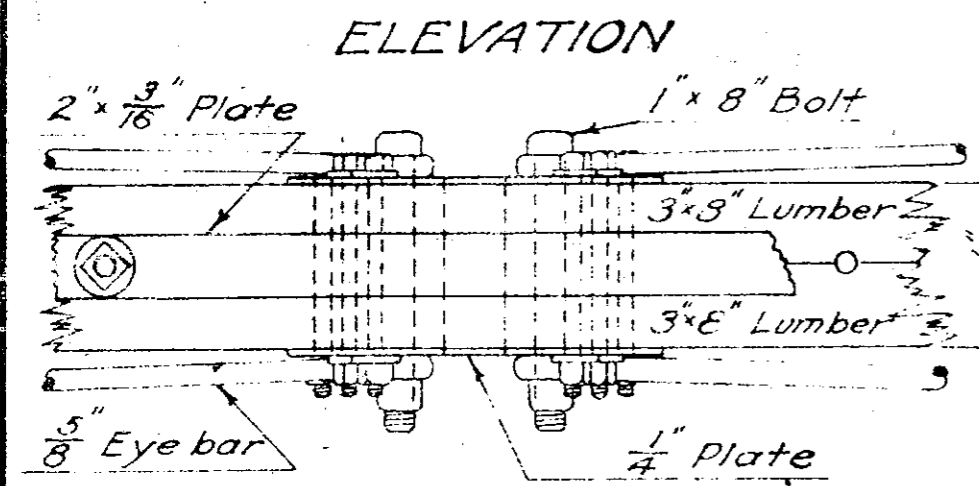


	20' PAV.	18' PAV.	16' PAV.
a	6 $\frac{1}{2}$ "	6 $\frac{3}{16}$ "	6 $\frac{1}{8}$ "
b	$\frac{13}{15}$ "	1"	$\frac{1}{16}$ "



SUBGRADE TEMPLET FOR CONCRETE ROADS

TO BE ATTACHED TO MIXER

DIVISION OF HIGHWAYS

OHIO

CONST. DRAW. NO. 117 MARCH 1927.