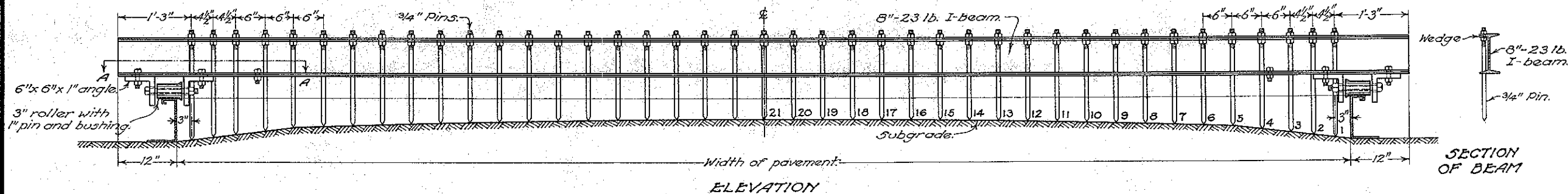
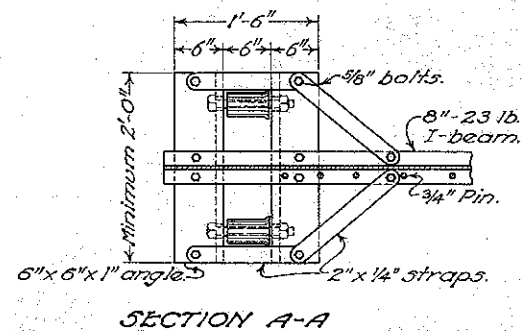


METAL SUBGRADE TEMPLAT



NOTES

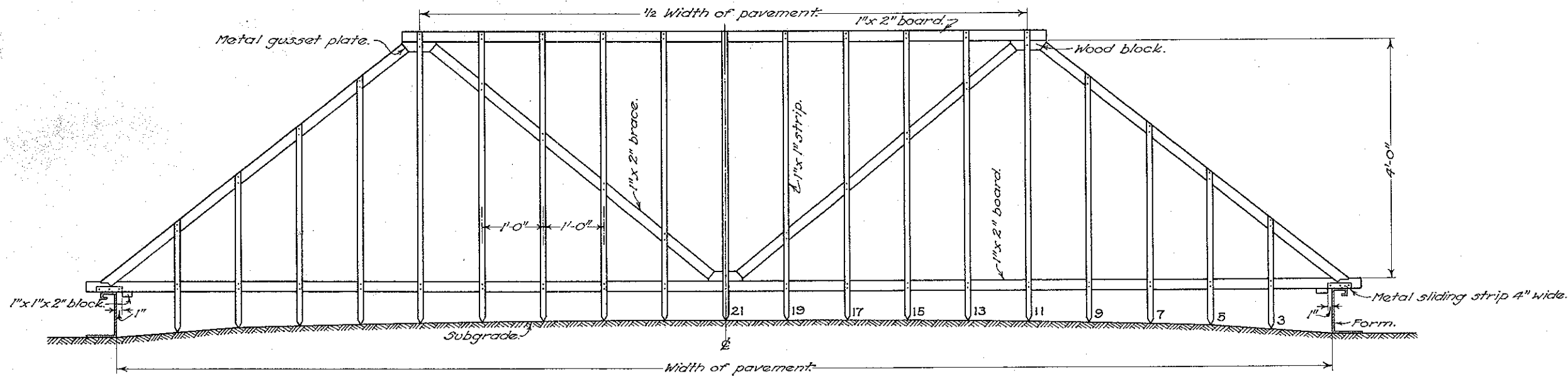
METAL SUBGRADE TEMPLAT:
 If metal center joint is used, pin No. 21 may be omitted.
 The method of checking the setting of the pins shall be accomplished by means of a line with the templat in its service position supported on its rollers.
 Templat is to be propelled by hand.
 Weight of the templat to be not less than 1000 lbs.



ORDINATES BELOW TOP OF FORMS FOR 20' PAVEMENT																						
PIN NUMBER	1	2	3	4	5	6	7	8	9	10	11	12	13	14	15	16	17	18	19	20	21	
FOR CONCRETE PAVEMENT ONLY (1 1/4" CROWN)																						
7"	6 29/32"	6 27/32"	6 25/32"	6 19/32"	6 17/32"	6 15/32"	6 13/32"	6 11/32"	6 9/32"	6 7/32"	6 5/32"	6 3/32"	6 1/32"	6"	5 39/32"	5 29/32"	5 27/32"	5 25/32"	5 23/32"	5 21/32"	5 19/32"	5 17/32"
8"	7 25/32"	7 23/32"	7 21/32"	7 15/32"	7 13/32"	7 11/32"	7 9/32"	7 7/32"	7 5/32"	7 3/32"	7 1/32"	6 31/32"	6 29/32"	6 27/32"	6 25/32"	6 23/32"	6 21/32"	6 19/32"	6 17/32"	6 15/32"	6 13/32"	6 11/32"
9"-7"-7"-9"	8 15/32"	8 13/32"	8 11/32"	8 9/32"	8 7/32"	8 5/32"	8 3/32"	8 1/32"	7 31/32"	7 29/32"	7 27/32"	7 25/32"	7 23/32"	7 21/32"	7 19/32"	7 17/32"	7 15/32"	7 13/32"	7 11/32"	7 9/32"	7 7/32"	7 5/32"
10"-8"-8"-10"	9 15/32"	9 13/32"	9 11/32"	9 9/32"	9 7/32"	9 5/32"	9 3/32"	9 1/32"	8 31/32"	8 29/32"	8 27/32"	8 25/32"	8 23/32"	8 21/32"	8 19/32"	8 17/32"	8 15/32"	8 13/32"	8 11/32"	8 9/32"	8 7/32"	8 5/32"
FOR ALL TYPES OF PAVEMENT EXCEPT CONCRETE (2" CROWN)																						
6"	5 29/32"	5 27/32"	5 25/32"	5 19/32"	5 17/32"	5 15/32"	5 13/32"	5 11/32"	5 9/32"	5 7/32"	5 5/32"	5 3/32"	5 1/32"	4 31/32"	4 29/32"	4 27/32"	4 25/32"	4 23/32"	4 21/32"	4 19/32"	4 17/32"	4 15/32"
7"	6 25/32"	6 23/32"	6 21/32"	6 15/32"	6 13/32"	6 11/32"	6 9/32"	6 7/32"	6 5/32"	6 3/32"	6 1/32"	5 31/32"	5 29/32"	5 27/32"	5 25/32"	5 23/32"	5 21/32"	5 19/32"	5 17/32"	5 15/32"	5 13/32"	5 11/32"
8"	7 21/32"	7 19/32"	7 17/32"	7 11/32"	7 9/32"	7 7/32"	7 5/32"	7 3/32"	7 1/32"	6 31/32"	6 29/32"	6 27/32"	6 25/32"	6 23/32"	6 21/32"	6 19/32"	6 17/32"	6 15/32"	6 13/32"	6 11/32"	6 9/32"	6 7/32"
9"	8 21/32"	8 19/32"	8 17/32"	8 11/32"	8 9/32"	8 7/32"	8 5/32"	8 3/32"	8 1/32"	7 31/32"	7 29/32"	7 27/32"	7 25/32"	7 23/32"	7 21/32"	7 19/32"	7 17/32"	7 15/32"	7 13/32"	7 11/32"	7 9/32"	7 7/32"

Note: Tables of offsets below top of forms for points of subgrade templat are 3/32" above specified depth of pavement.

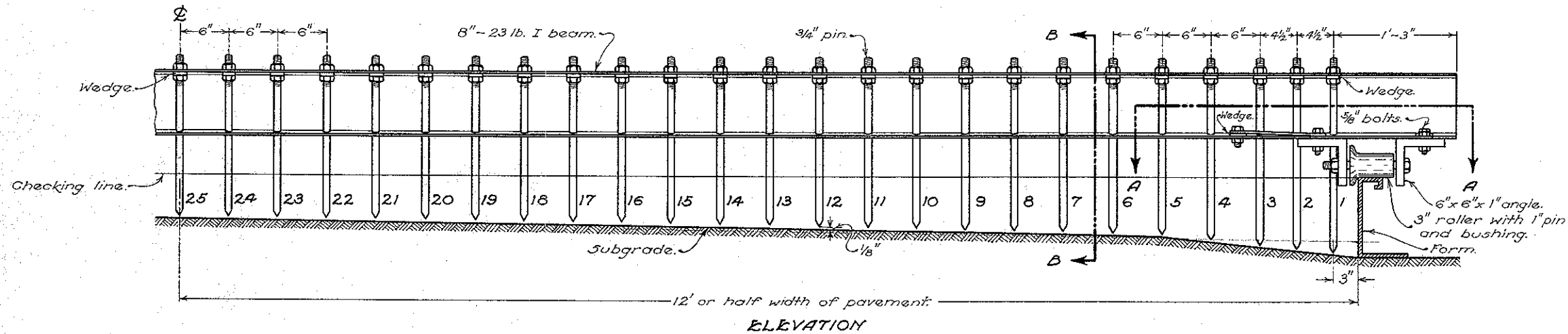
WOODEN SUBGRADE TEMPLAT



WOODEN SUBGRADE TEMPLAT:
 For setting and checking the points of this templat, apply the table of ordinates given for the Metal Subgrade Templat.

BUREAU OF LOCATION & DESIGN
 OHIO
 DEPARTMENT OF HIGHWAYS
**SUBGRADE
 TEMPLATS**
 STANDARD CONSTRUCTION DRAWING
 B-T-50-70-71 E.
 No. 1
 APPROVED: H. L. R. CHIEF ENGINEER.
 OCT. 1933

METAL SUBGRADE TEMPLAT



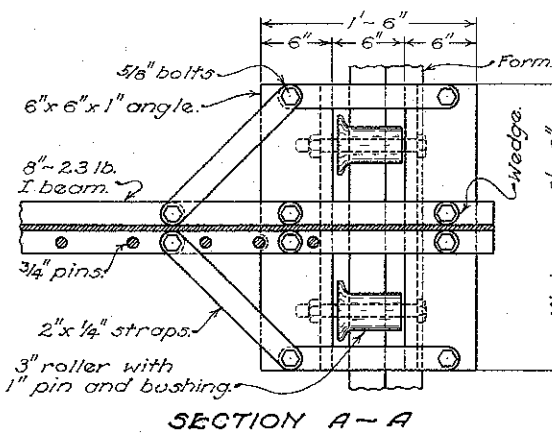
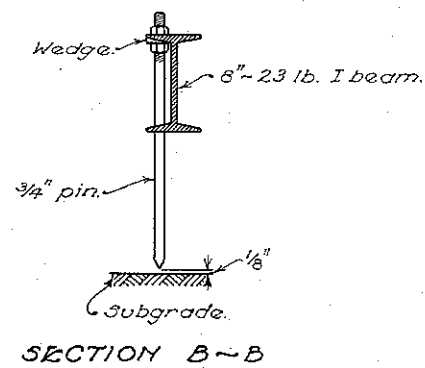
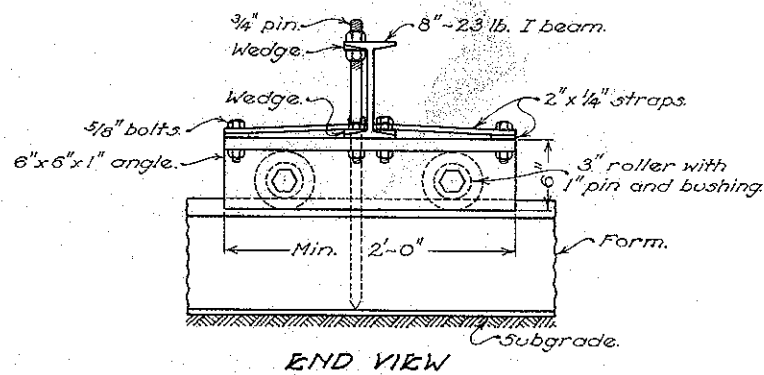
NOTES

If metal center joint is used pin No. 25 may be omitted.

The method of checking the setting of the pins shall be accomplished by means of a line with the templet in its service position supported on its rollers.

Templet is to be propelled by hand.

Weight of the templet to be not less than 1000 lbs.



ORDINATES BELOW TOP OF FORMS FOR 24' PAVEMENT, 2 1/2\"/>

PAVEMENT THICKNESS	PIN NUMBER																								
	1	2	3	4	5	6	7	8	9	10	11	12	13	14	15	16	17	18	19	20	21	22	23	24	25
7"	6 25/32"	6 27/32"	6 10/32"	6 13/32"	6 8/32"	6 4/32"	5 31/32"	5 27/32"	5 23/32"	5 19/32"	5 16/32"	5 12/32"	5 9/32"	5 5/32"	5 2/32"	4 31/32"	4 29/32"	4 26/32"	4 23/32"	4 21/32"	4 19/32"	4 17/32"	4 15/32"	4 14/32"	4 12/32"
8"	7 28/32"	7 22/32"	7 18/32"	7 13/32"	7 8/32"	7 4/32"	6 31/32"	6 27/32"	6 23/32"	6 19/32"	6 16/32"	6 12/32"	6 9/32"	6 5/32"	6 2/32"	5 31/32"	5 29/32"	5 26/32"	5 23/32"	5 21/32"	5 19/32"	5 17/32"	5 15/32"	5 14/32"	5 12/32"
9"	8 25/32"	8 22/32"	8 18/32"	8 13/32"	8 8/32"	8 4/32"	7 31/32"	7 27/32"	7 23/32"	7 19/32"	7 16/32"	7 12/32"	7 9/32"	7 5/32"	7 2/32"	6 31/32"	6 29/32"	6 26/32"	6 23/32"	6 21/32"	6 19/32"	6 17/32"	6 15/32"	6 14/32"	6 12/32"
10"	9 23/32"	9 22/32"	9 19/32"	9 13/32"	9 8/32"	9 4/32"	8 31/32"	8 27/32"	8 23/32"	8 19/32"	8 16/32"	8 12/32"	8 9/32"	8 5/32"	8 2/32"	7 31/32"	7 29/32"	7 26/32"	7 23/32"	7 21/32"	7 19/32"	7 17/32"	7 15/32"	7 14/32"	7 12/32"
9"-7"-7"-9"	8 17/32"	8 2/32"	7 10/32"	6 29/32"	6 8/32"	6 4/32"	5 31/32"	5 27/32"	5 23/32"	5 19/32"	5 16/32"	5 12/32"	5 9/32"	5 5/32"	5 2/32"	4 31/32"	4 29/32"	4 26/32"	4 23/32"	4 21/32"	4 19/32"	4 17/32"	4 15/32"	4 14/32"	4 12/32"
10"-8"-8"-10"	9 1/32"	9 2/32"	8 10/32"	7 29/32"	7 8/32"	7 4/32"	6 31/32"	6 27/32"	6 23/32"	6 19/32"	6 16/32"	6 12/32"	6 9/32"	6 5/32"	6 2/32"	5 31/32"	5 29/32"	5 26/32"	5 23/32"	5 21/32"	5 19/32"	5 17/32"	5 15/32"	5 14/32"	5 12/32"

NOTE: Tables of offsets below top of forms for points of subgrade templet are 1/32" above specified depth of pavement.

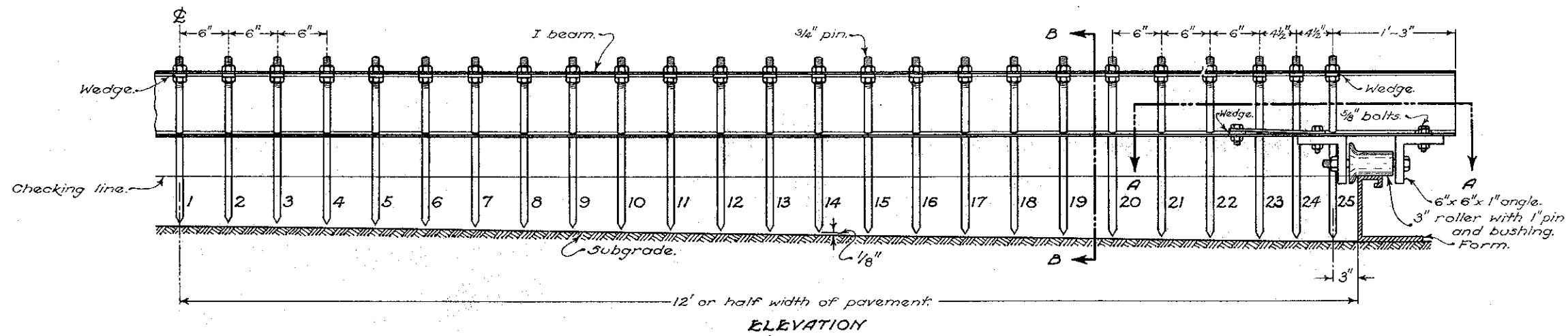
BUREAU OF LOCATION & RIGHT OF WAY
OHIO DEPARTMENT OF HIGHWAYS

SUBGRADE TEMPLATES

DATE:
10-1933
12-1-43

STANDARD CONSTRUCTION DRAWING
B.T.50-70-71 E
No. 1
APPROVED M.D.S. CHIEF ENGINEER

METAL SUBGRADE TEMPLAT

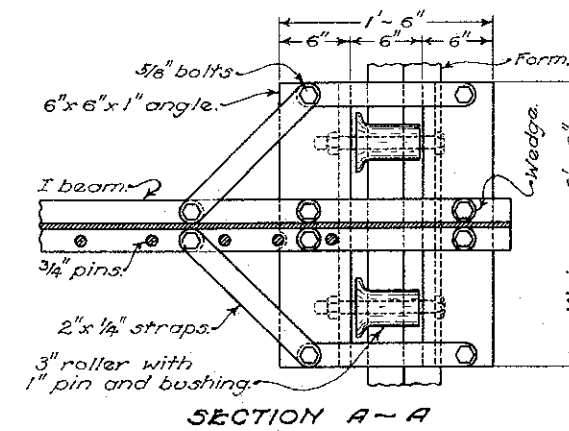
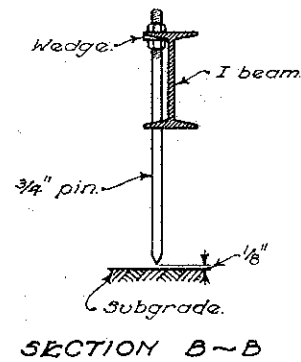
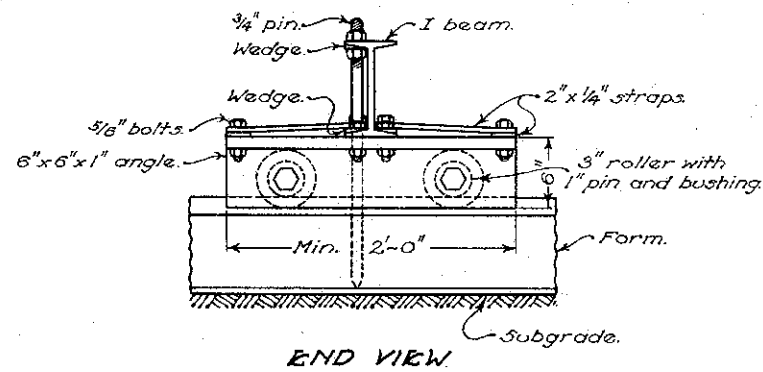


NOTES

The method of checking the setting of the pins shall be accomplished by means of a line with the templat in its service position supported on its rollers.

Weight of the templat to be not less than 50 lbs. per foot.

TYPE "A" PAVEMENT SLOPE 5: Pins No. 1 and 2 shall be spaced similar to pins No. 24 and 25. Depth of pins below I beam shall be constant and shall be determined by the depth of the pavement.



ORDINATES BELOW TOP OF FORMS FOR 24' PAVEMENT, TYPE "B" CROWN

PAVE. DEPTH	PIN NUMBER																								
	1	2	3	4	5	6	7	8	9	10	11	12	13	14	15	16	17	18	19	20	21	22	23	24	25
7"	4 13/16"	4 27/32"	4 29/32"	4 31/32"	5 1/32"	5 3/32"	5 3/16"	5 9/32"	5 3/8"	5 15/32"	5 9/16"	5 21/32"	5 3/4"	5 27/32"	5 15/16"	6 1/32"	6 1/8"	6 7/32"	6 5/16"	6 13/32"	6 1/2"	6 19/32"	6 11/16"	6 3/4"	6 13/16"
8"	5 13/16"	5 27/32"	5 29/32"	5 31/32"	6 1/32"	6 3/32"	6 3/16"	6 9/32"	6 3/8"	6 15/32"	6 9/16"	6 21/32"	6 3/4"	6 27/32"	6 15/16"	7 1/32"	7 1/8"	7 7/32"	7 5/16"	7 13/32"	7 1/2"	7 19/32"	7 11/16"	7 3/4"	7 13/16"
9"	6 13/16"	6 27/32"	6 29/32"	6 31/32"	7 1/32"	7 3/32"	7 3/16"	7 9/32"	7 3/8"	7 15/32"	7 9/16"	7 21/32"	7 3/4"	7 27/32"	7 15/16"	8 1/32"	8 1/8"	8 7/32"	8 5/16"	8 13/32"	8 1/2"	8 19/32"	8 11/16"	8 3/4"	8 13/16"

TABLES OF OFFSETS BELOW TOP OF FORMS FOR POINTS OF SUBGRADE TEMPLAT ARE 1/8" ABOVE SPECIFIED DEPTH OF PAVEMENT

BUREAU OF LOCATION AND DESIGN
OHIO DEPARTMENT OF HIGHWAYS

SUBGRADE TEMPLATS

STANDARD CONSTRUCTION DRAWING
B-T-50-70-71 E
NO. 1
APPROVED *G. J. T.* CHIEF ENGINEER

DATE:
10-1933
12-1-43
10-1-47