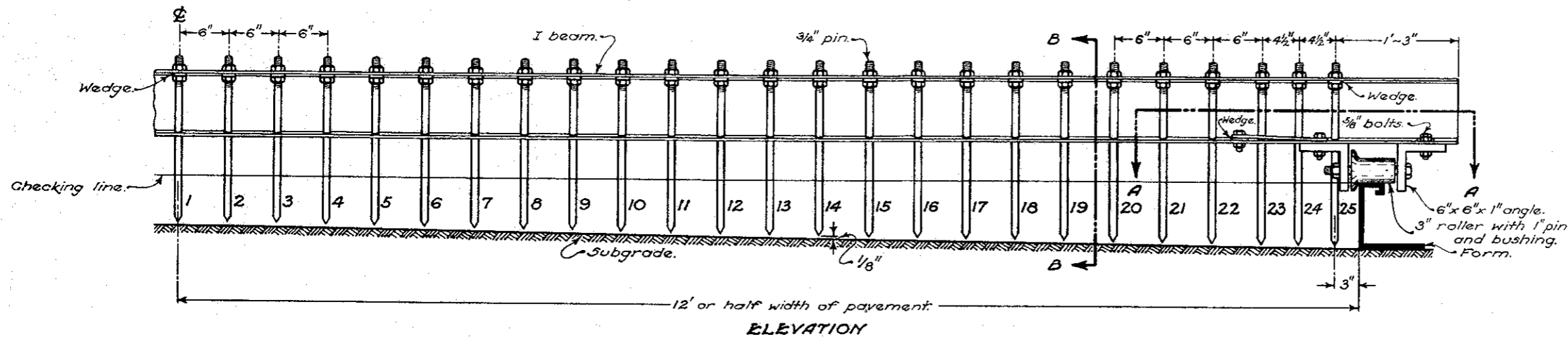


METAL SUBGRADE TEMPLAT

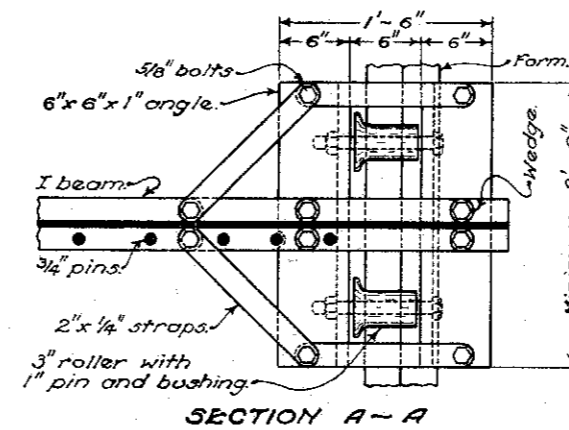
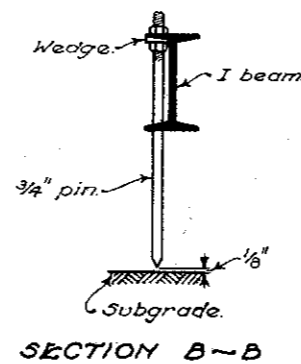
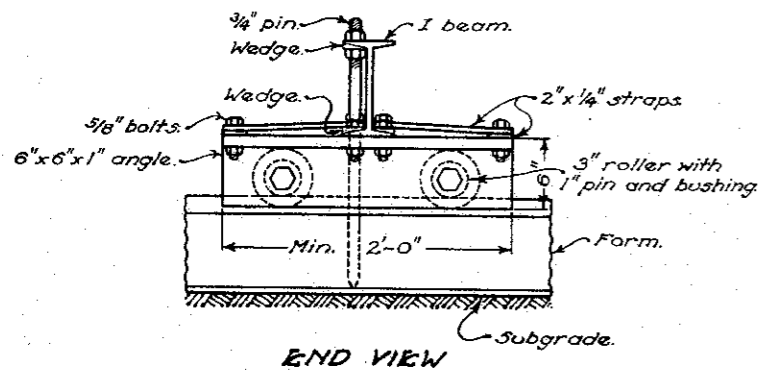


NOTES

The method of checking the setting of the pins shall be accomplished by means of a line with the templet in its service position supported on its rollers.

Weight of the templet to be not less than 50 lbs. per foot.

TYPE "A" PAVEMENT SLOPES:—Pins 1 and 2 shall be spaced similar to pins 24 and 25. Depth of pins below I beam shall be constant and shall be determined by the depth of the pavement.



ORDINATES BELOW TOP OF FORMS FOR 24' PAVEMENT, TYPE "B" CROWN

PAVE. DEPTH	PIN NUMBER																								
	1	2	3	4	5	6	7	8	9	10	11	12	13	14	15	16	17	18	19	20	21	22	23	24	25
7"	4 13/16"	4 27/32"	4 29/32"	4 31/32"	5 1/32"	5 3/32"	5 3/16"	5 9/32"	5 3/8"	5 15/32"	5 9/16"	5 21/32"	5 3/4"	5 27/32"	5 15/16"	6 1/32"	6 1/8"	6 7/32"	6 5/16"	6 13/32"	6 1/2"	6 19/32"	6 11/16"	6 3/4"	6 13/16"
8"	5 13/16"	5 27/32"	5 29/32"	5 31/32"	6 1/32"	6 3/32"	6 3/16"	6 9/32"	6 3/8"	6 15/32"	6 9/16"	6 21/32"	6 3/4"	6 27/32"	6 15/16"	7 1/32"	7 1/8"	7 7/32"	7 5/16"	7 13/32"	7 1/2"	7 19/32"	7 11/16"	7 3/4"	7 13/16"
9"	6 13/16"	6 27/32"	6 29/32"	6 31/32"	7 1/32"	7 3/32"	7 3/16"	7 9/32"	7 3/8"	7 15/32"	7 9/16"	7 21/32"	7 3/4"	7 27/32"	7 15/16"	8 1/32"	8 1/8"	8 7/32"	8 5/16"	8 13/32"	8 1/2"	8 19/32"	8 11/16"	8 3/4"	8 13/16"

TABLES OF OFFSETS BELOW TOP OF FORMS FOR POINTS OF SUBGRADE TEMPLAT ARE 1/8" ABOVE SPECIFIED DEPTH OF PAVEMENT

BUREAU OF LOCATION AND DESIGN
OHIO DEPARTMENT OF HIGHWAYS

SUBGRADE TEMPLATS

DATE: 11-15-60

STANDARD CONSTRUCTION B.T.70-71
DRAWING
APPROVED: *[Signature]* ENGR. L. & D.