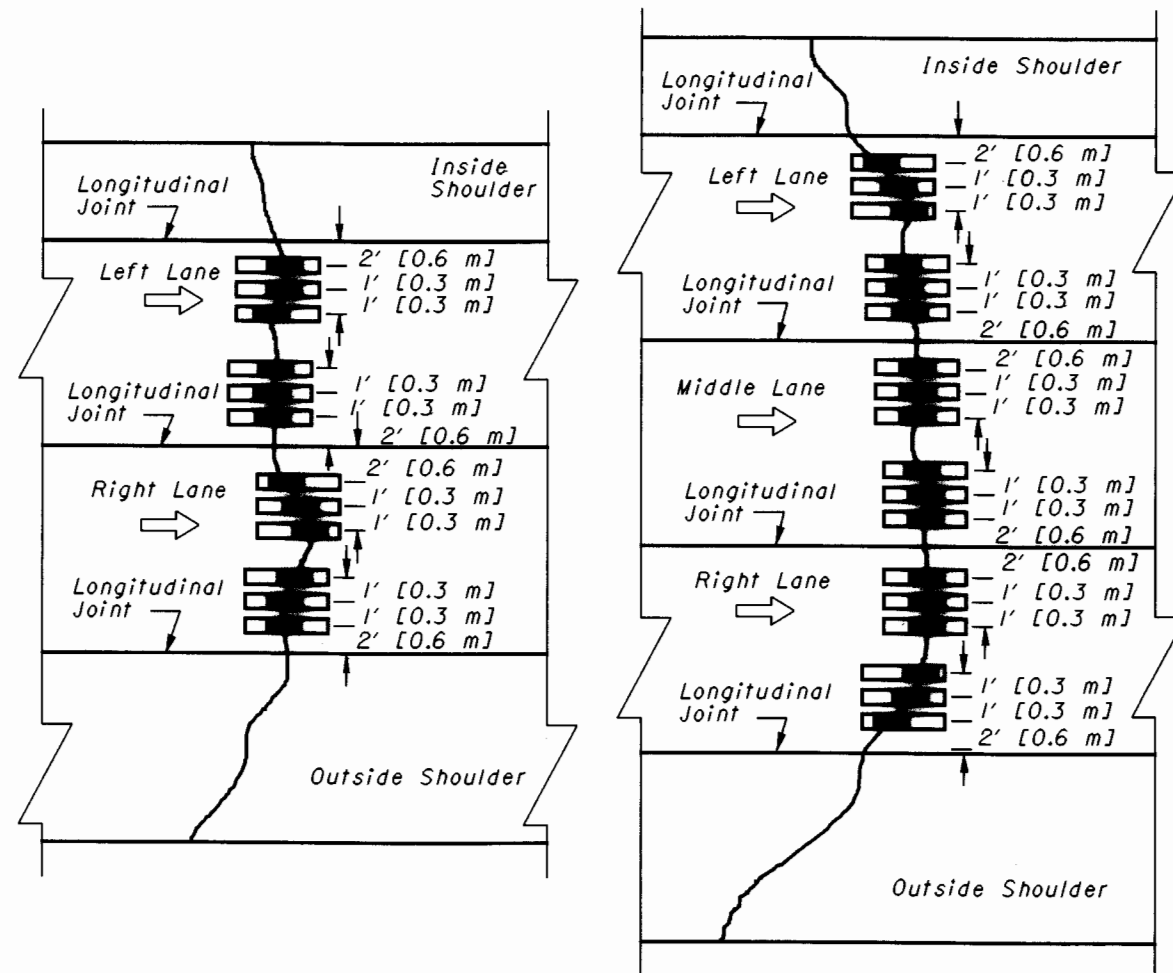
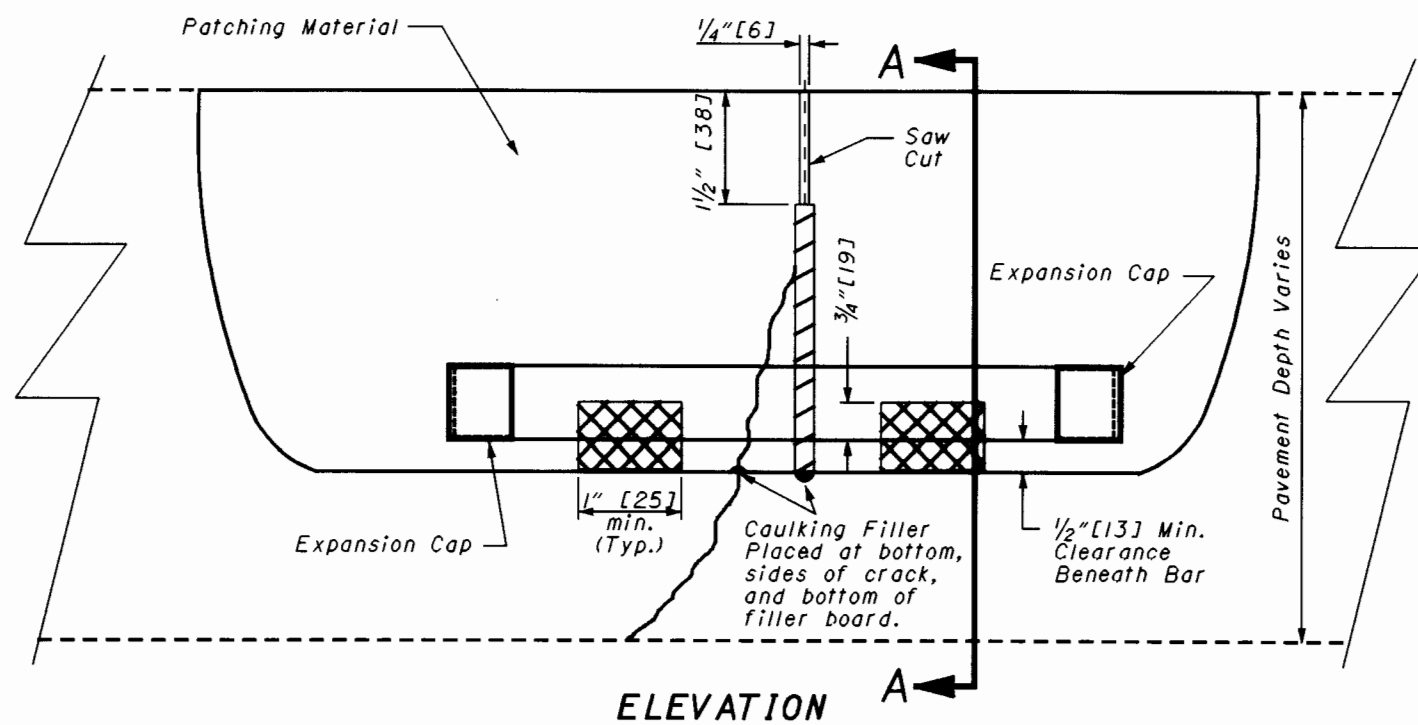


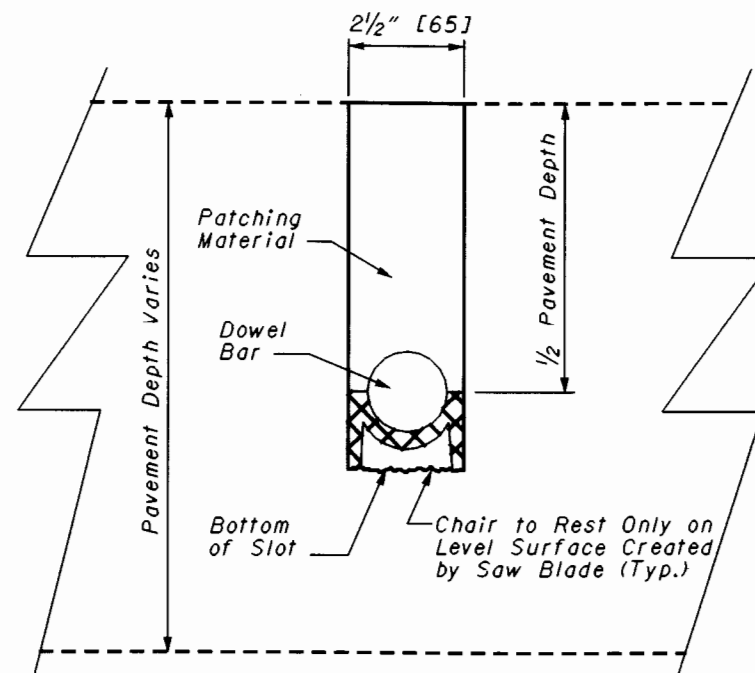
PLAN



RETROFIT DOWEL BAR SPACING



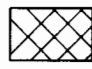
ELEVATION



SECTION A-A

NOTES

Cracks to be retrofitted will be marked on the pavement by the Engineer.

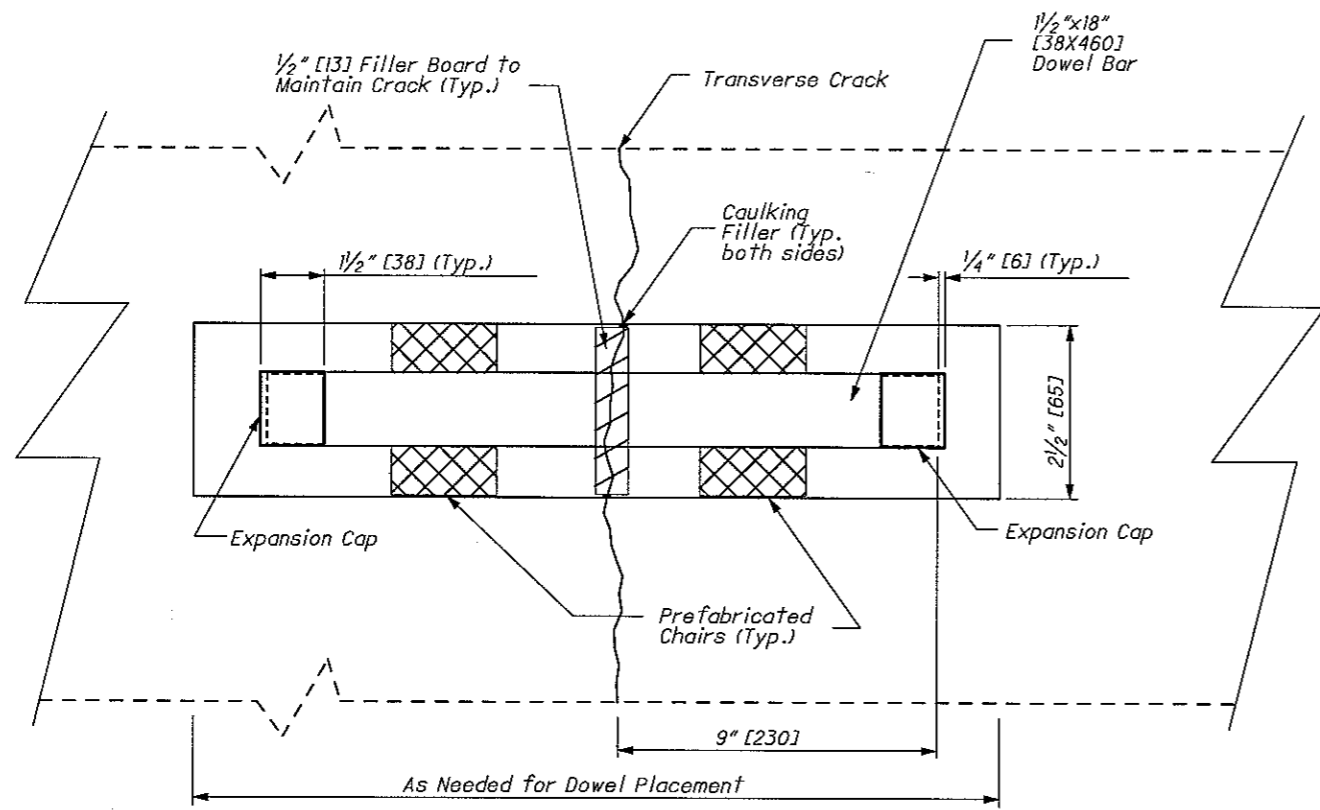
 Prefabricated chair as approved by the Engineer.

1/2" x 18" [38x460] RETROFIT DOWEL BAR

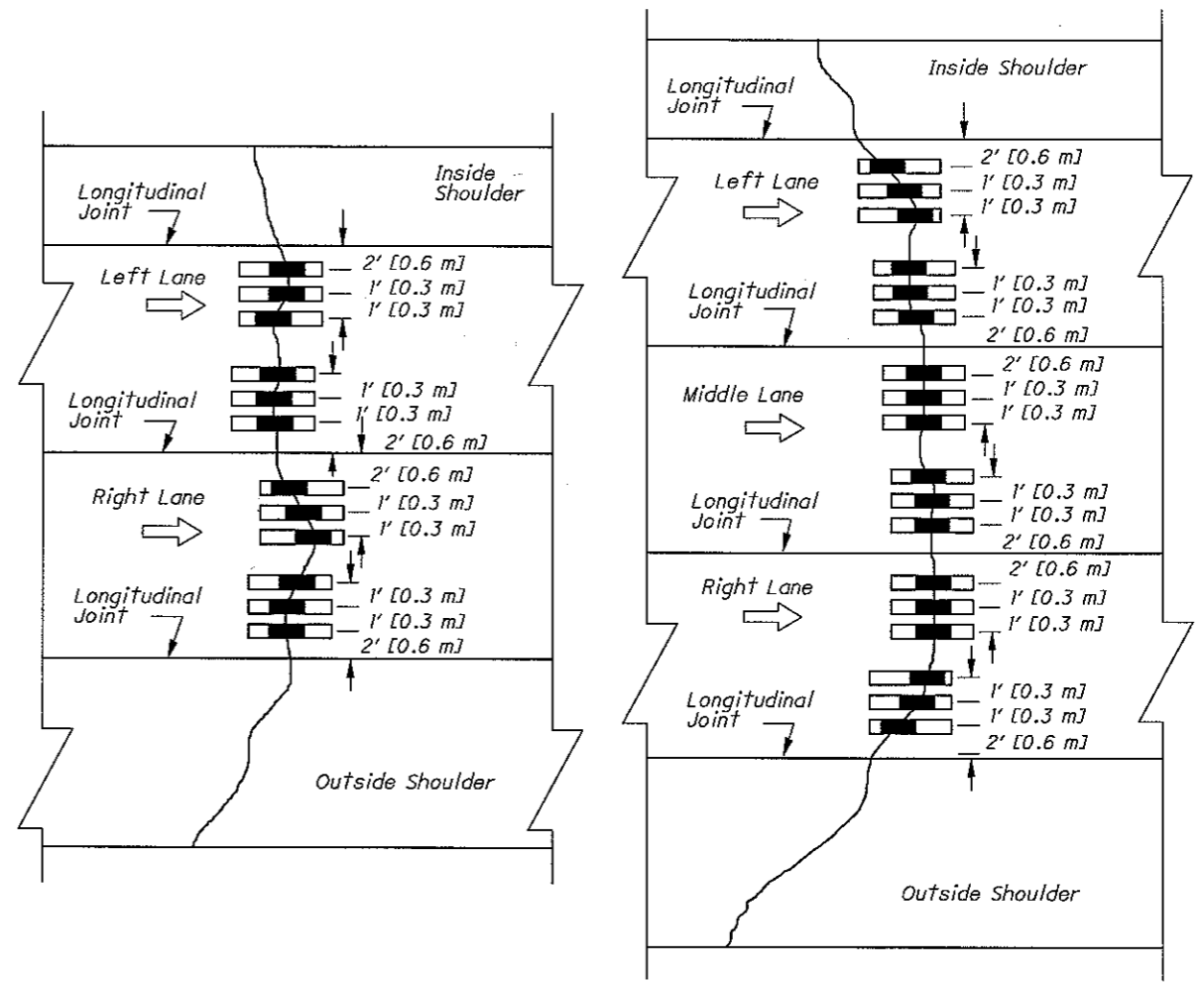
OHIO DEPARTMENT OF TRANSPORTATION
 PAVEMENT DESIGN ENGR.
 ROADWAY ENGINEERING SERVICES
 STANDARD ROADWAY CONSTRUCTION DRAWING
 RETROFIT DOWEL BAR
 NUMBER BP-2.6
 DATE 7-15-05
 PAVEMENT ENGINEERING ADMINISTRATOR
 D. Miller

NEW DRAWING

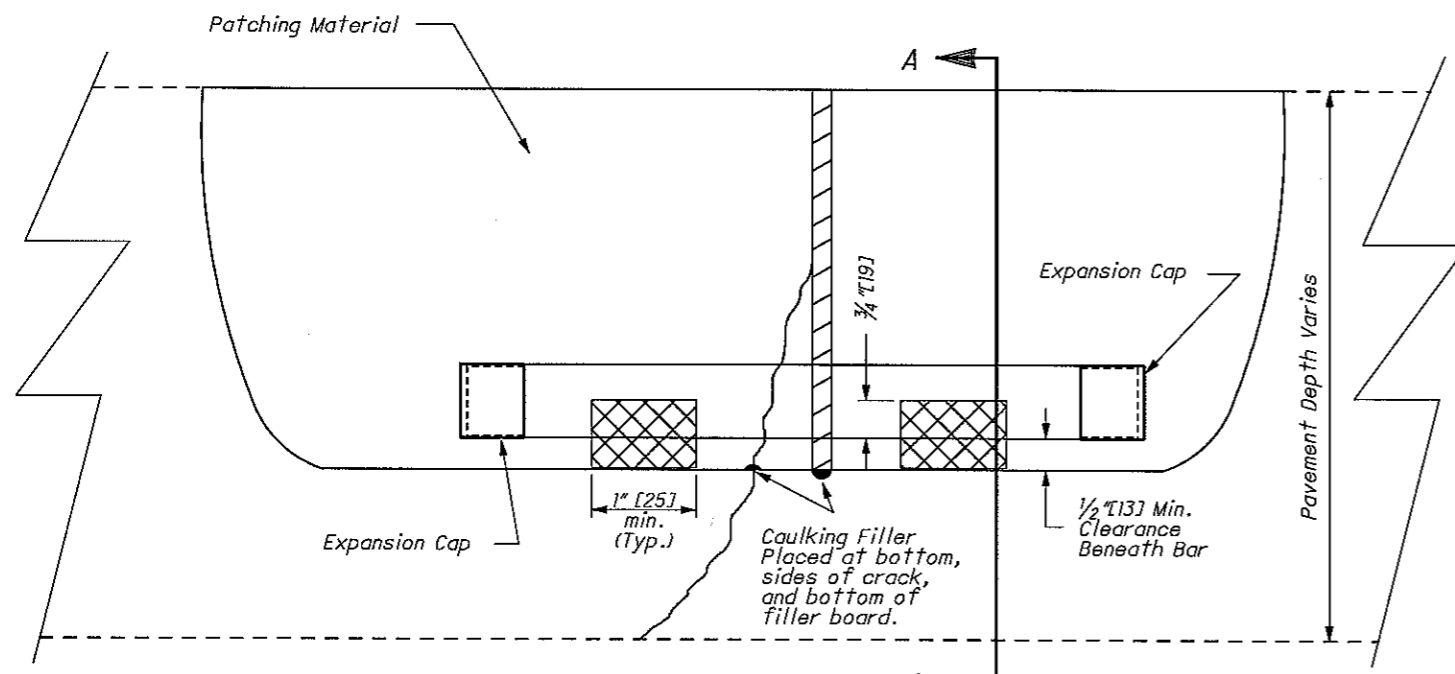
X:\Standards\Publications\Transmittals\2008-04-18\Published (black) set\SCD\bp26_v8.dgn 14-JUL-2008 12:31PM dfocke



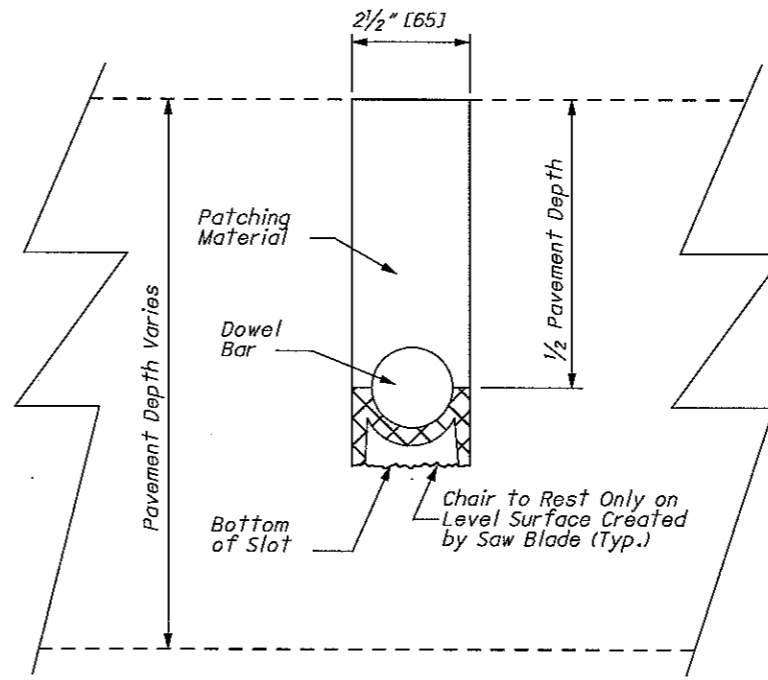
PLAN



RETROFIT DOWEL BAR SPACING



ELEVATION



SECTION A-A

1/2"x18" [38x460] RETROFIT DOWEL BAR

NOTES

Cracks to be retrofitted will be marked on the pavement by the Engineer.



Prefabricated chair as approved by the Engineer.

THIS DRAWING REPLACES BP-2.6 DATED 7-15-05.

SCD NUMBER
BP-2.6

STANDARD ROADWAY CONSTRUCTION DRAWING
OFFICE OF ROADWAY ENGINEERING
RETROFIT DOWEL BAR

DESIGN ENGINEER
D. MILLER

PAVEMENT ENGINEERING ADMINISTRATOR
D. Miller

STATE OF OHIO DEPARTMENT OF TRANSPORTATION
7-18-08
DATE