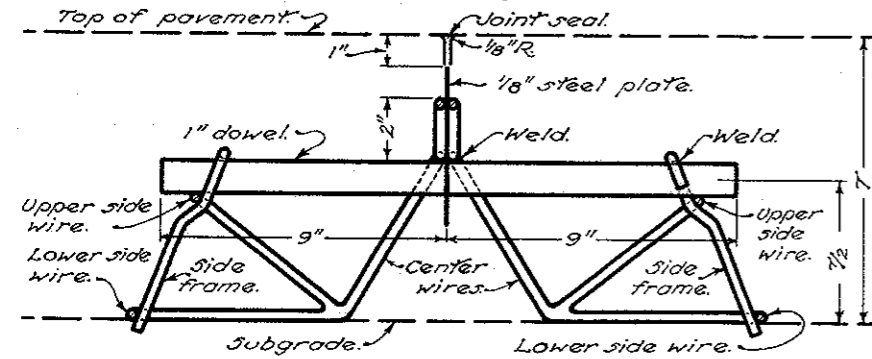
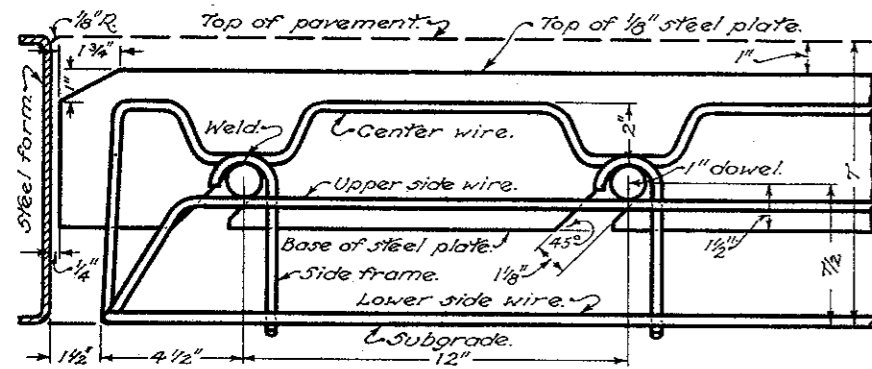


TRANSVERSE JOINTS

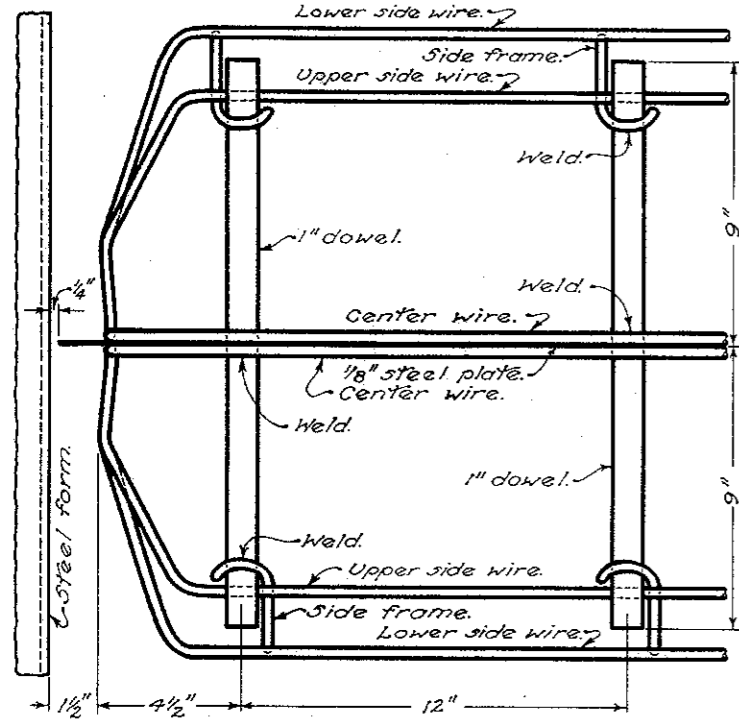
IMPRESSED CONTRACTION JOINT



SECTION THROUGH JOINT

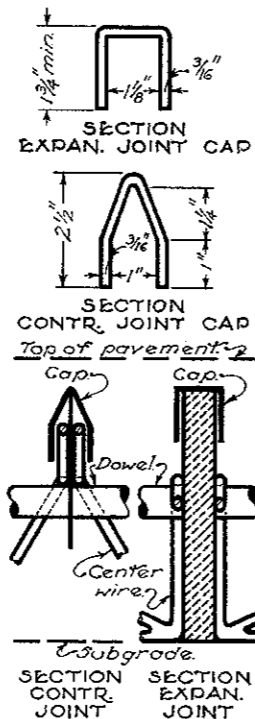


SIDE ELEVATION



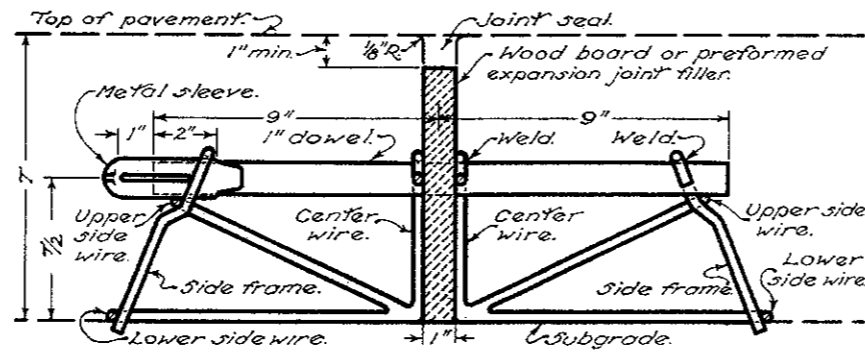
All wires in assembly are 5/16" round. The junction of all wires shall be welded.

PLAN

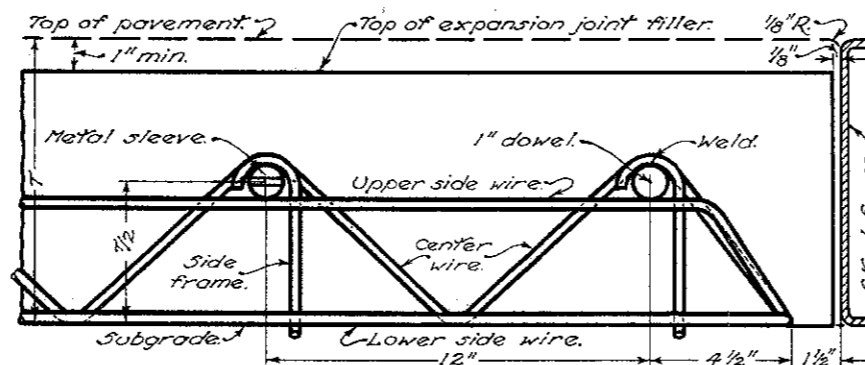


INSTALLING CAPS

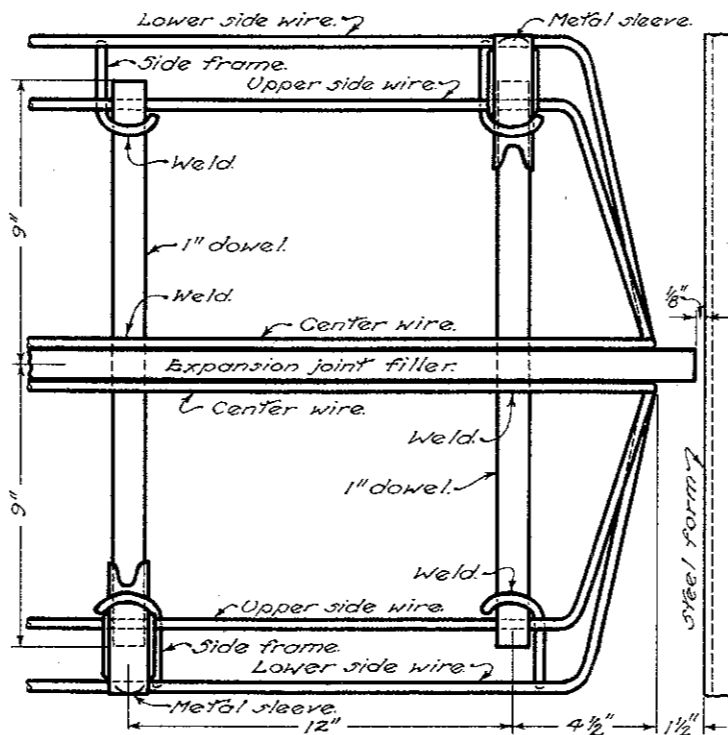
EXPANSION JOINT



SECTION THROUGH JOINT



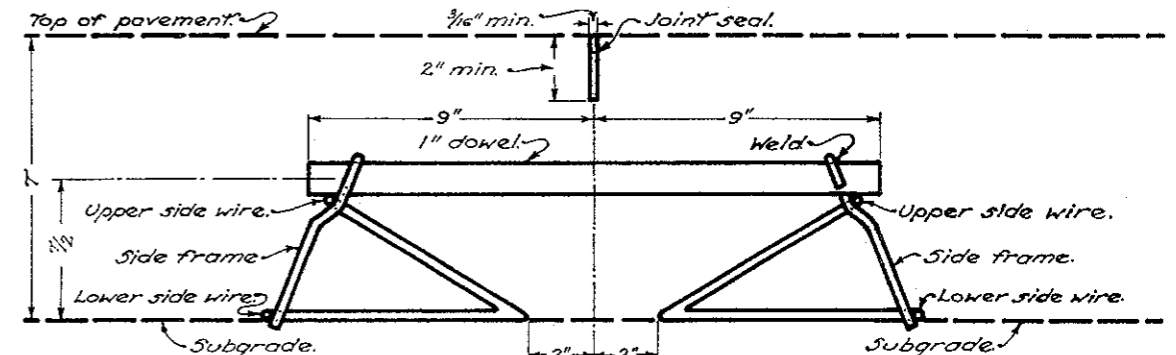
SIDE ELEVATION



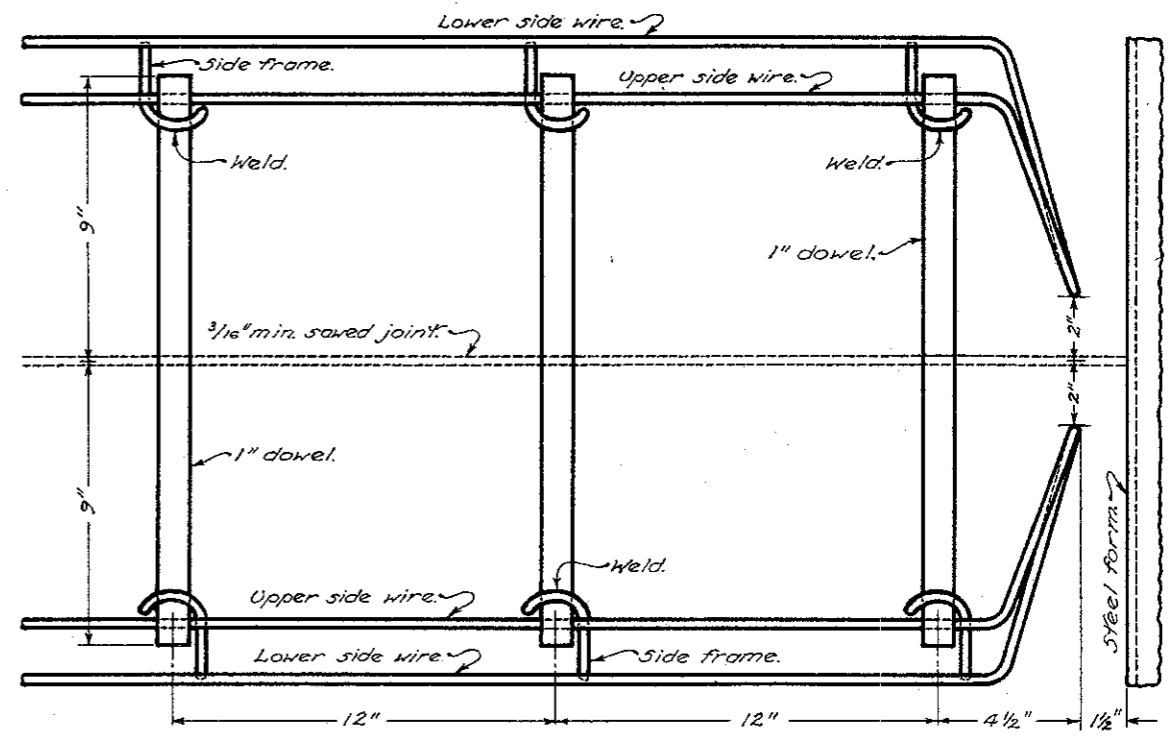
All wires in assembly are 5/16" round. The junction of all wires shall be welded.

PLAN

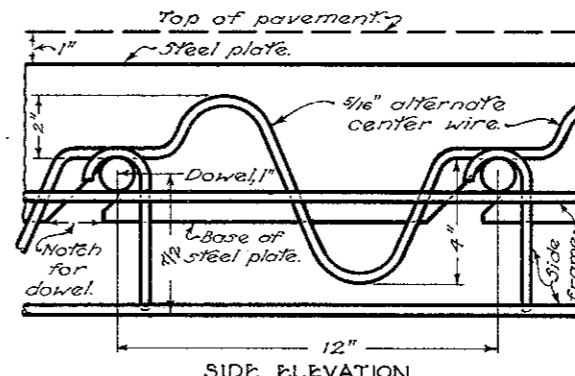
SAWED CONTRACTION JOINT



SECTION THROUGH JOINT



PLAN



SIDE ELEVATION
ALTERNATE CENTER WIRE
FOR
CONTRACTION OR EXPANSION JOINTS

All wires in assembly are 5/16" round. The junction of all wires shall be welded.

BUREAU OF LOCATION AND DESIGN
OHIO DEPARTMENT OF HIGHWAYS

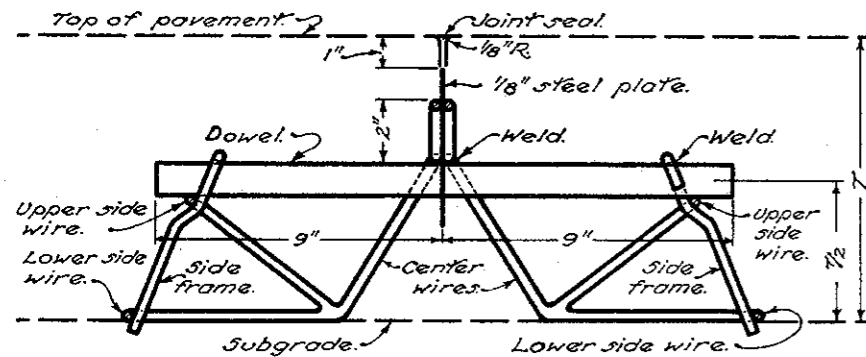
**PAVEMENT
JOINT ASSEMBLY
NO. 1**

DATE
7-1-55

APPROVED *[Signature]* DEPUTY DIRECTOR
DESIGN AND CONSTRUCTION

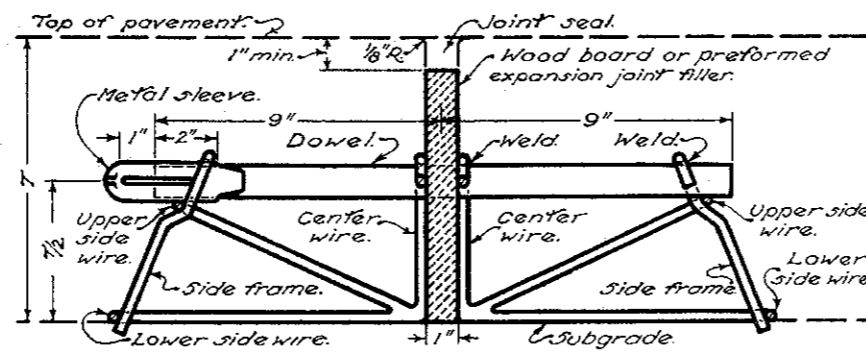
TRANSVERSE JOINTS

PLATE CONTRACTION JOINT



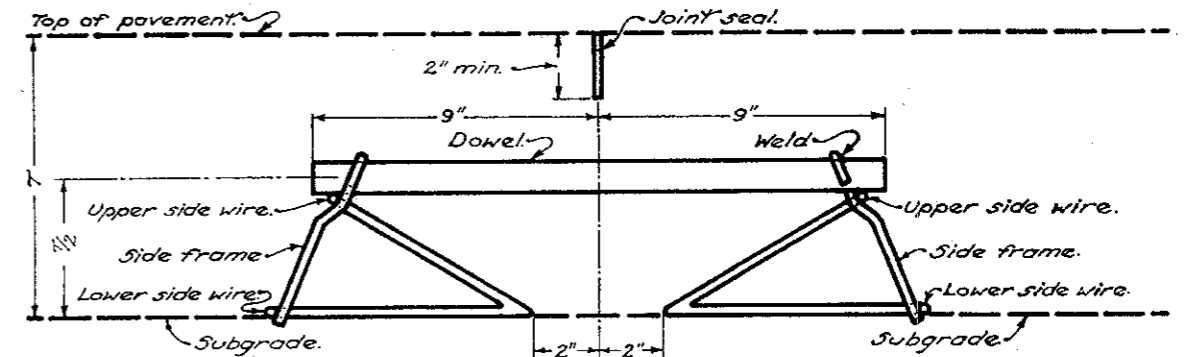
SECTION THROUGH JOINT

EXPANSION JOINT

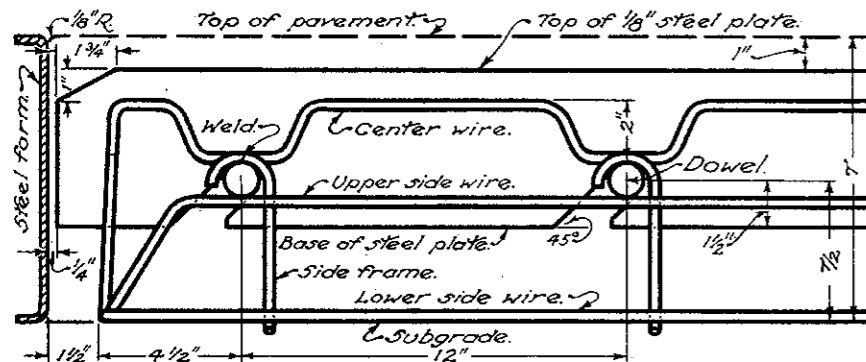


SECTION THROUGH JOINT

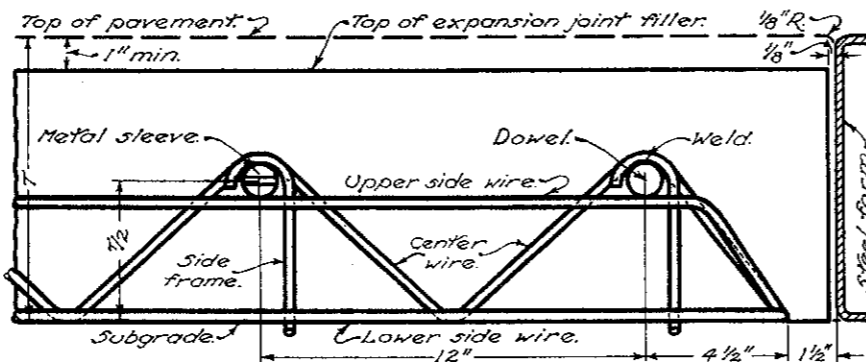
SAWED CONTRACTION JOINT



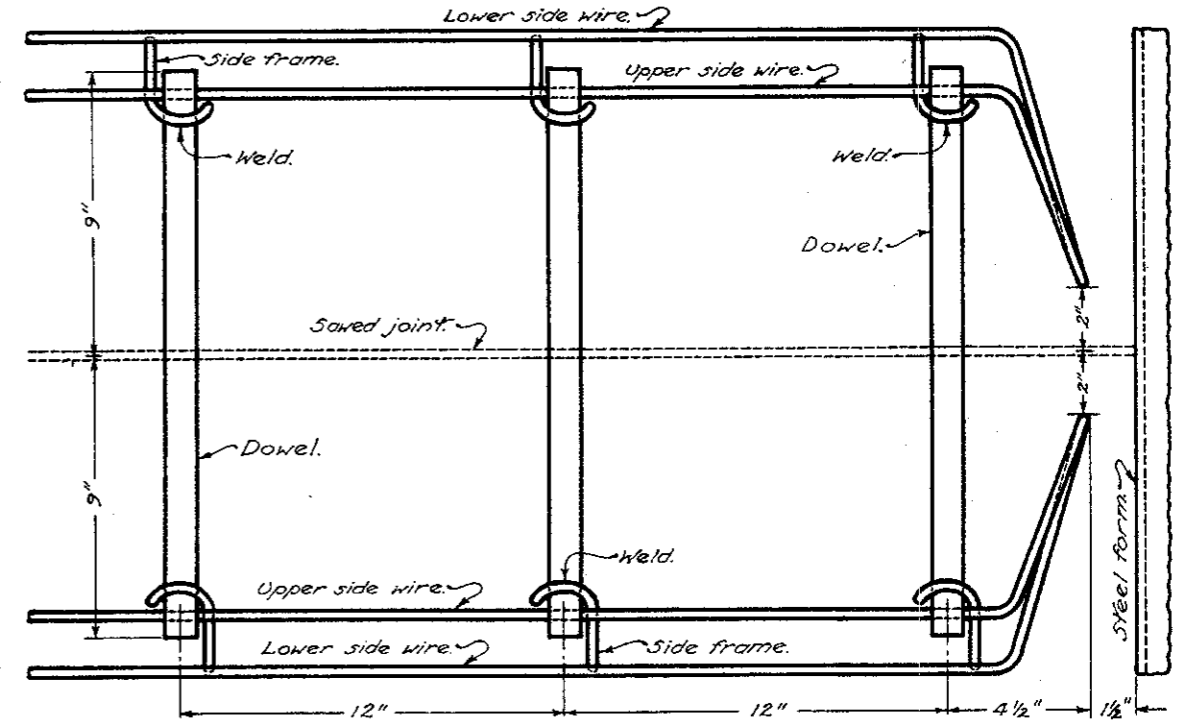
SECTION THROUGH JOINT



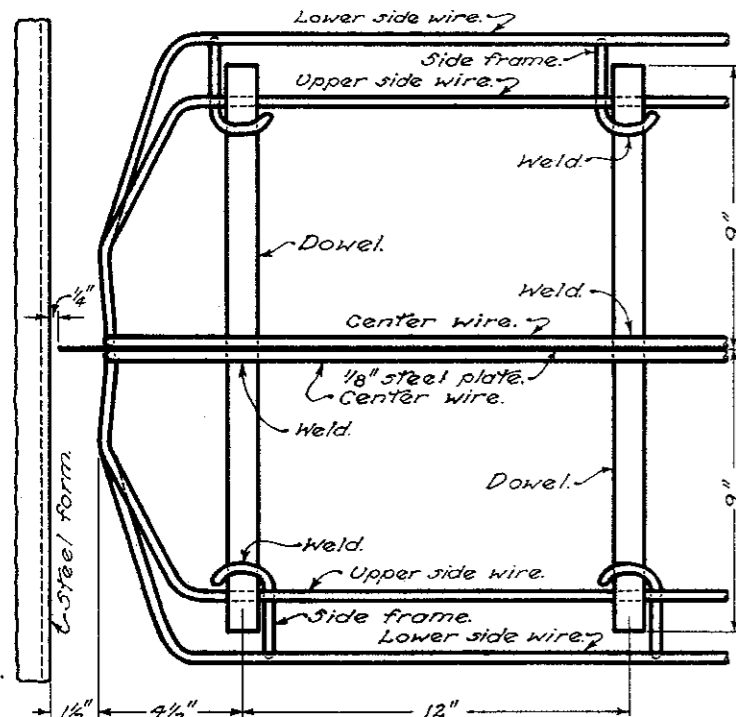
SIDE ELEVATION



SIDE ELEVATION

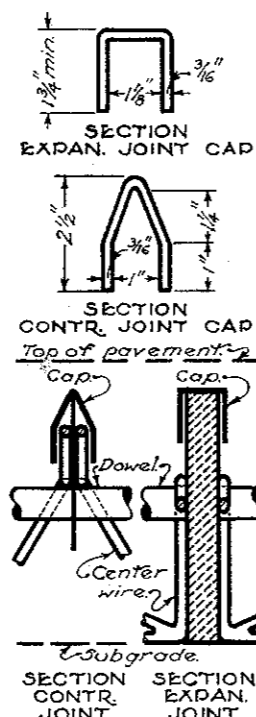


PLAN

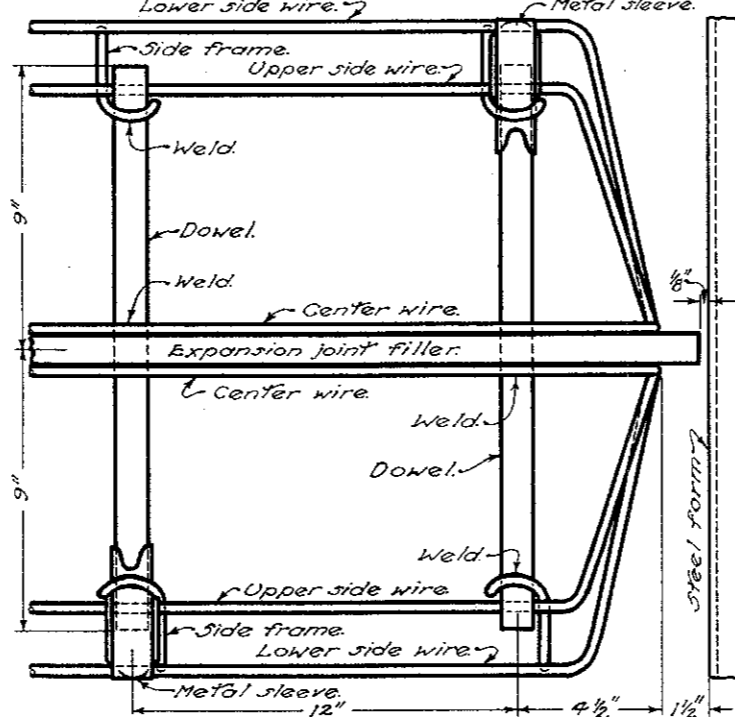


PLAN

All wires in assembly are 5/16" round. The junction of all wires shall be welded.

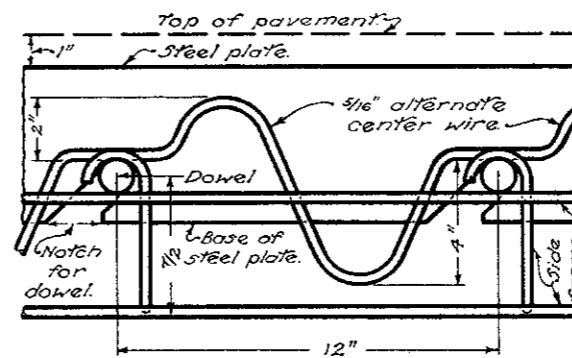


INSTALLING CAPS



PLAN

All wires in assembly are 5/16" round. The junction of all wires shall be welded.



SIDE ELEVATION ALTERNATE CENTER WIRE FOR CONTRACTION OR EXPANSION JOINTS

NOTES

This joint assembly shall meet the requirements of Standard Drawing "T.J.". All wires in assembly are 5/16" round. The junction of all wires shall be welded.

BUREAU OF LOCATION AND DESIGN
OHIO DEPARTMENT OF HIGHWAYS

PAVEMENT JOINT ASSEMBLY NO. 1

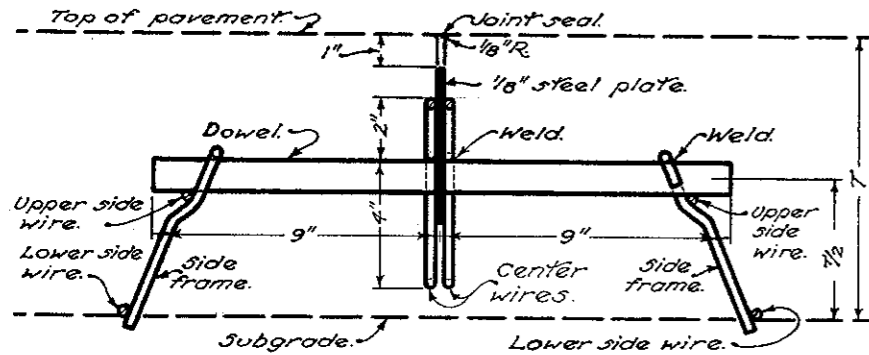
DATE
7-1-55
9-12-60

APPROVED

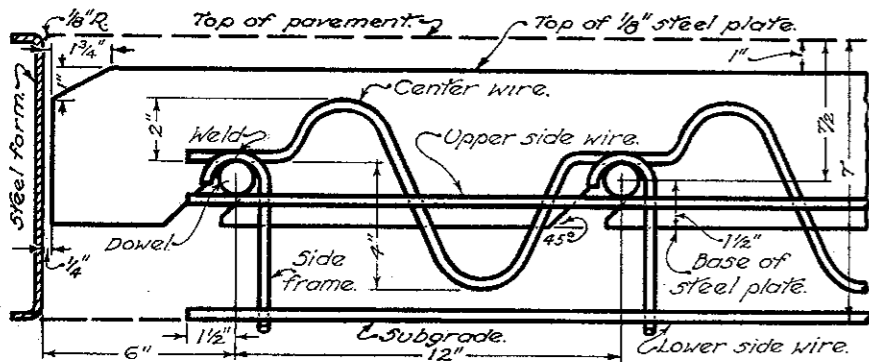
W. L. ...
ENGINEER OF LOCATION & DESIGN

TRANSVERSE JOINTS

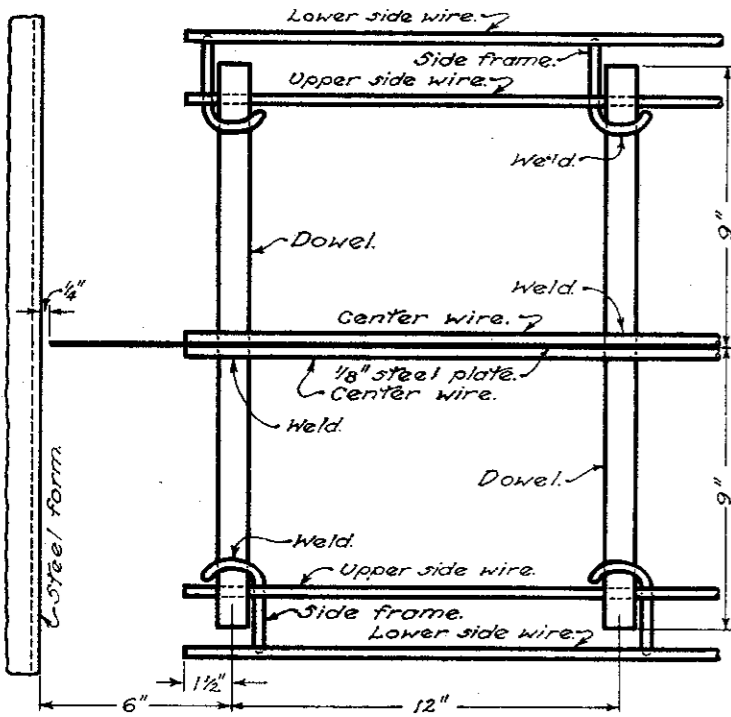
PLATE CONTRACTION JOINT



SECTION THROUGH JOINT



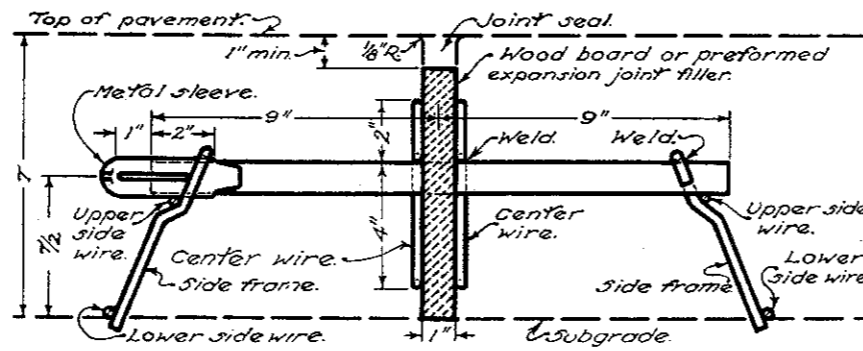
SIDE ELEVATION



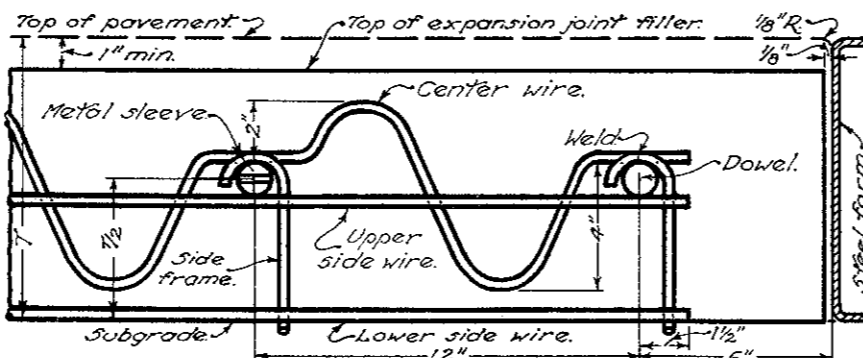
All wires in assembly are 5/16" round. The junction of all wires shall be welded.

PLAN

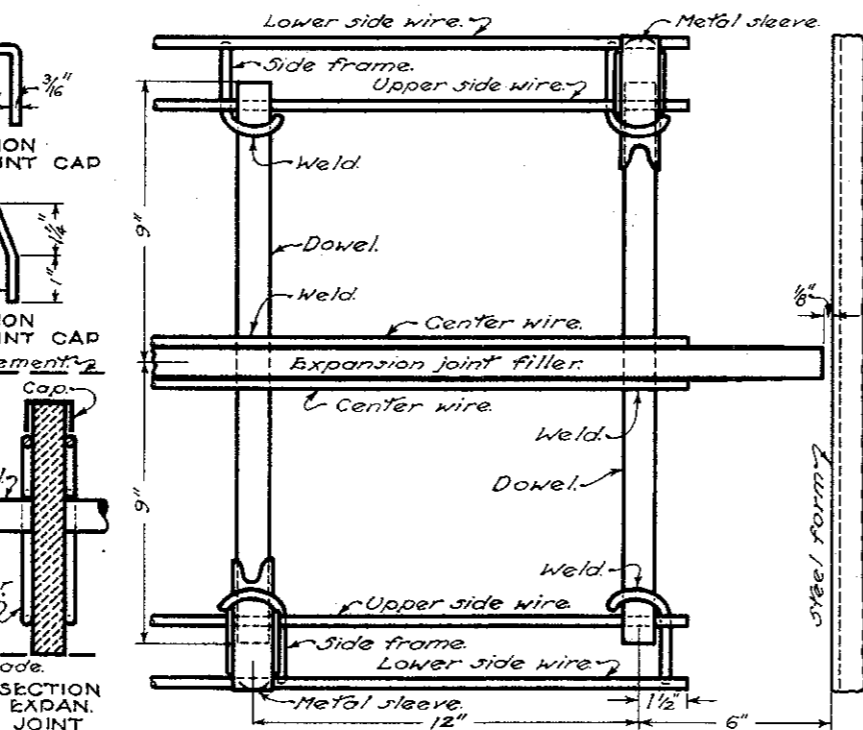
EXPANSION JOINT



SECTION THROUGH JOINT

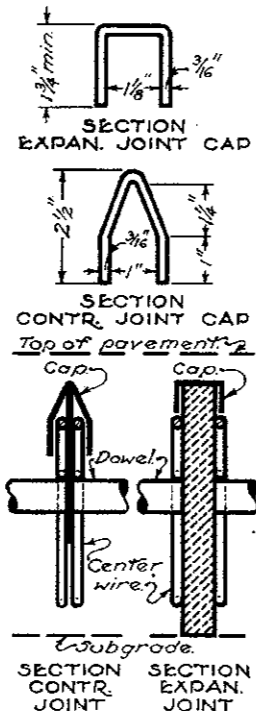


SIDE ELEVATION



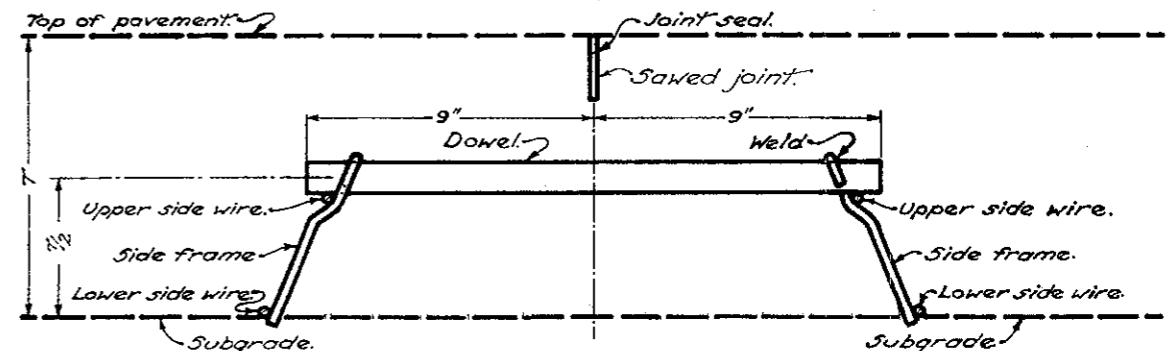
All wires in assembly are 5/16" round. The junction of all wires shall be welded.

PLAN

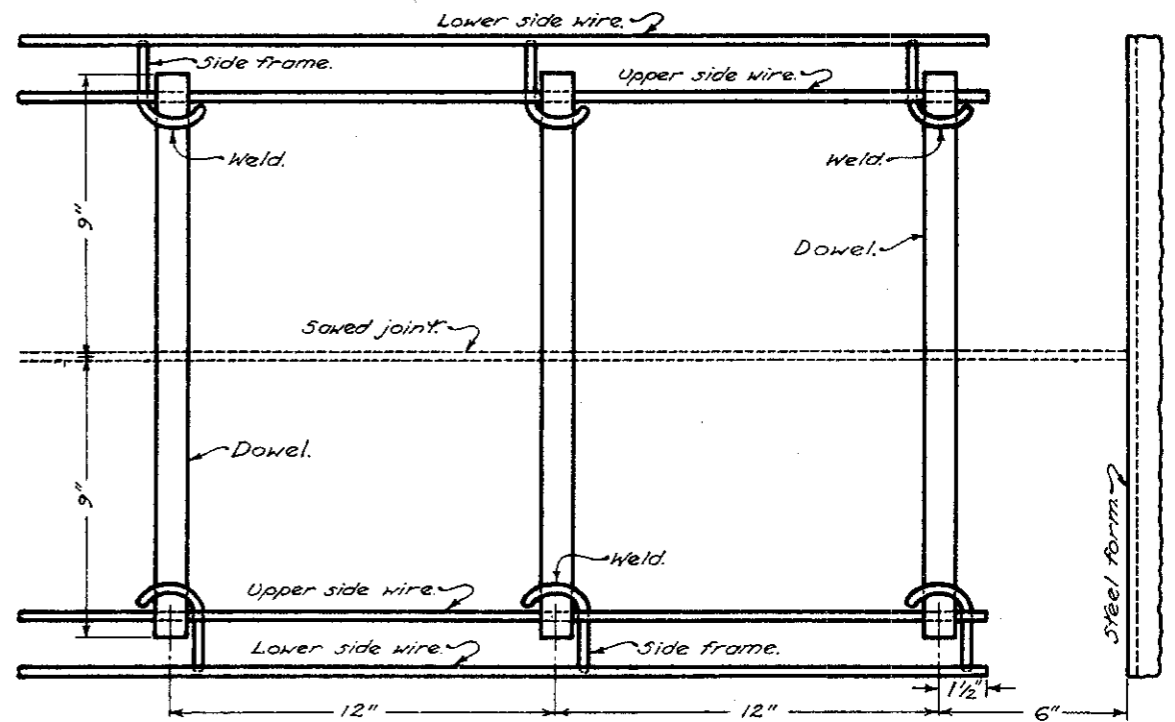


INSTALLING CAPS

SAWED CONTRACTION JOINT



SECTION THROUGH JOINT



PLAN

NOTES
This joint assembly shall meet the requirements of Standard Drawing "T.J".
All wires in assembly are 5/16" round. The junction of all wires shall be welded.

BUREAU OF LOCATION AND DESIGN
OHIO DEPARTMENT OF HIGHWAYS

PAVEMENT
JOINT ASSEMBLY
NO. 1

DATE
7-1-55
9-12-60
5-18-61

APPROVED

ENGINEER OF LOCATION & DESIGN