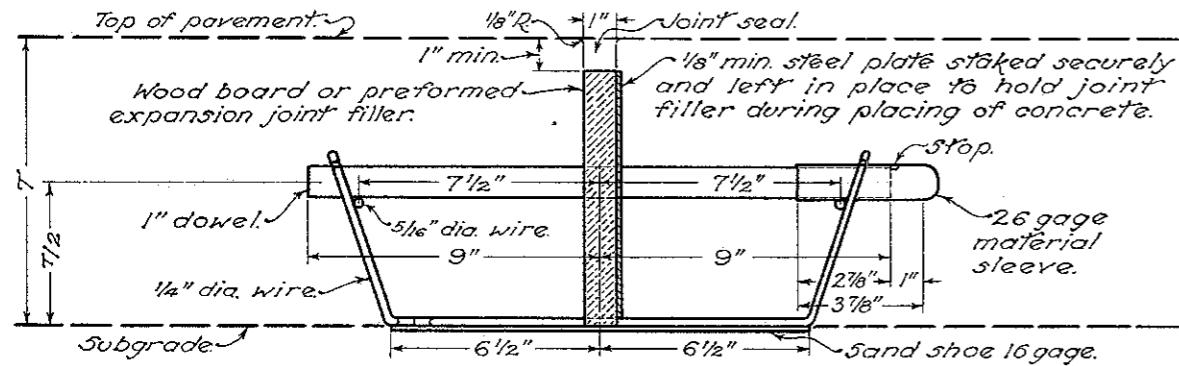


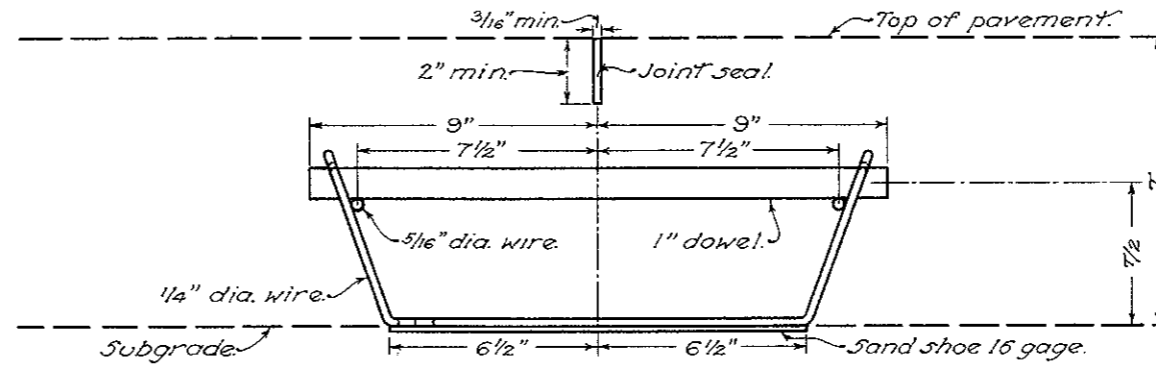
TRANSVERSE JOINTS

EXPANSION JOINT



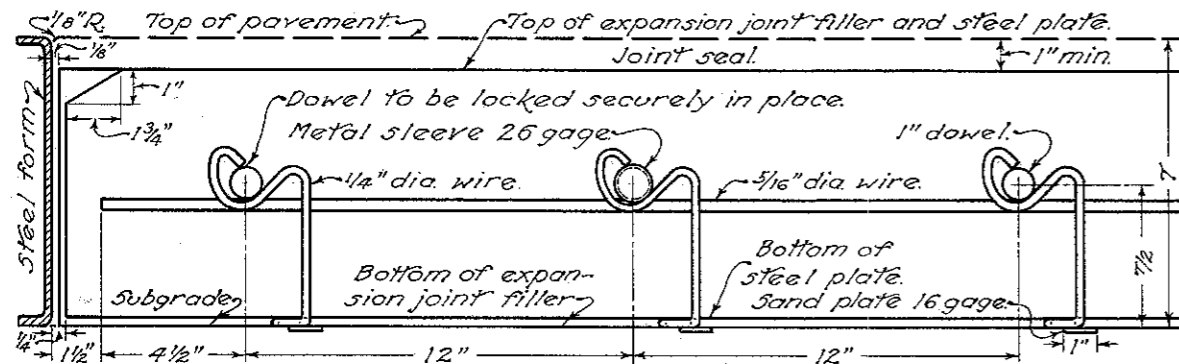
SECTION THROUGH JOINT

SAWED CONTRACTION JOINT

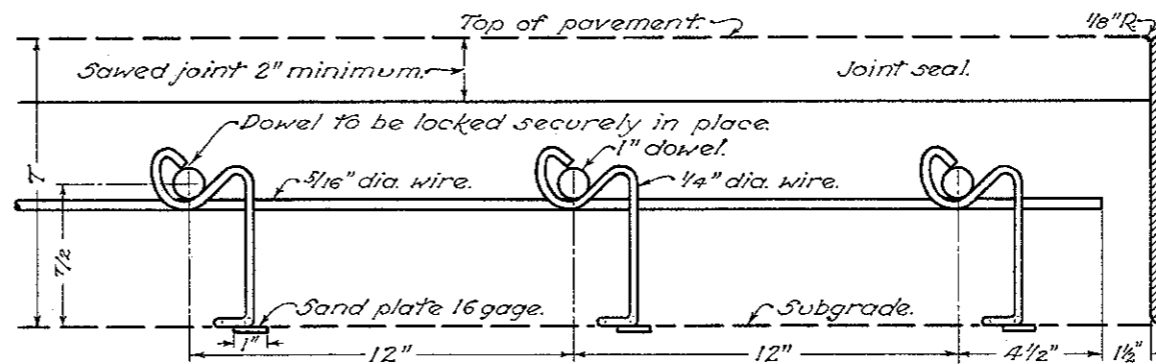


SECTION THROUGH JOINT

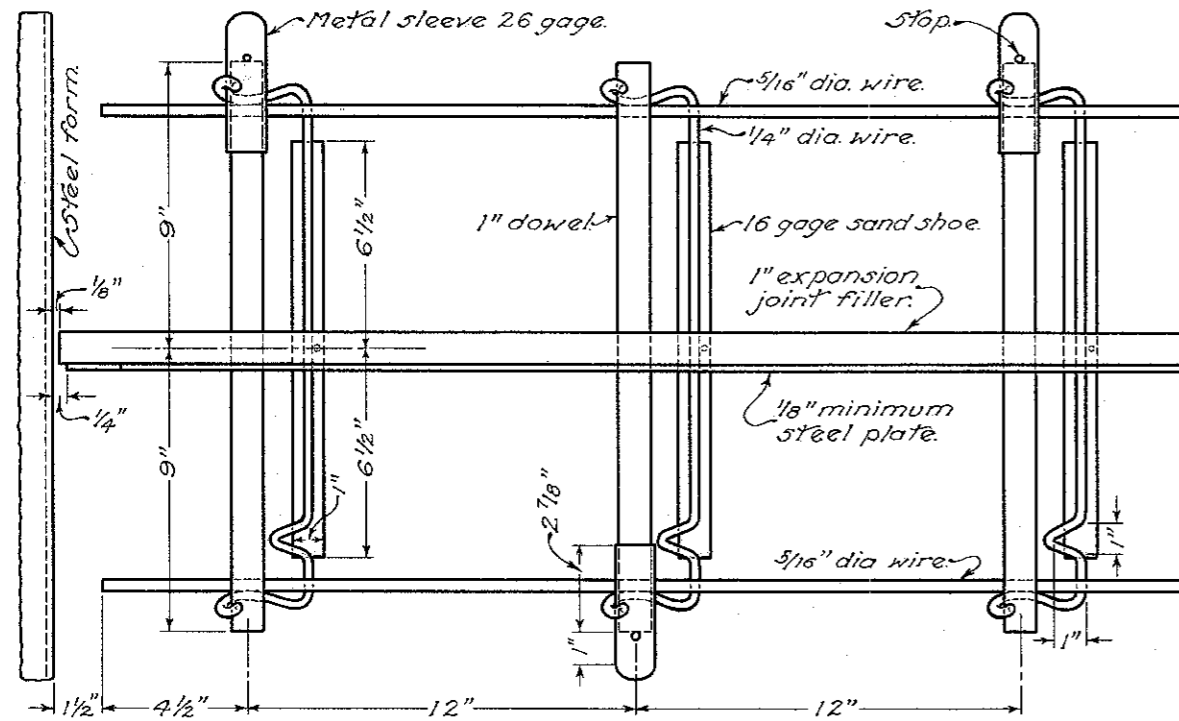
NOTES
 Framework for expansion joint assembly is identical with sawed contraction joint assembly.
 $\frac{5}{16}$ " dia. wires to be welded to $\frac{1}{4}$ " dia. wires at all points of contact.



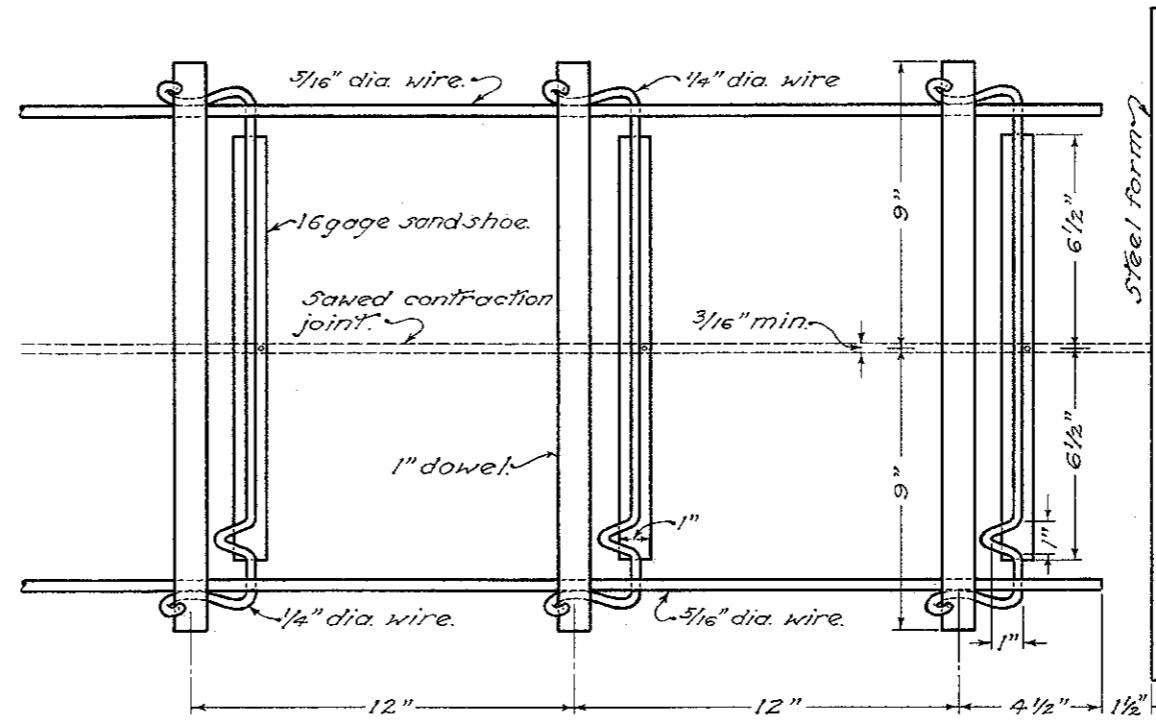
SIDE ELEVATION



SIDE ELEVATION



PLAN



PLAN

BUREAU OF LOCATION AND DESIGN
 OHIO DEPARTMENT OF HIGHWAYS

PAVEMENT
 JOINT ASSEMBLY
 No. 10

DATE
 3-2-59

APPROVED

W. Freeman
 ENGINEER OF LOCATION & DESIGN

