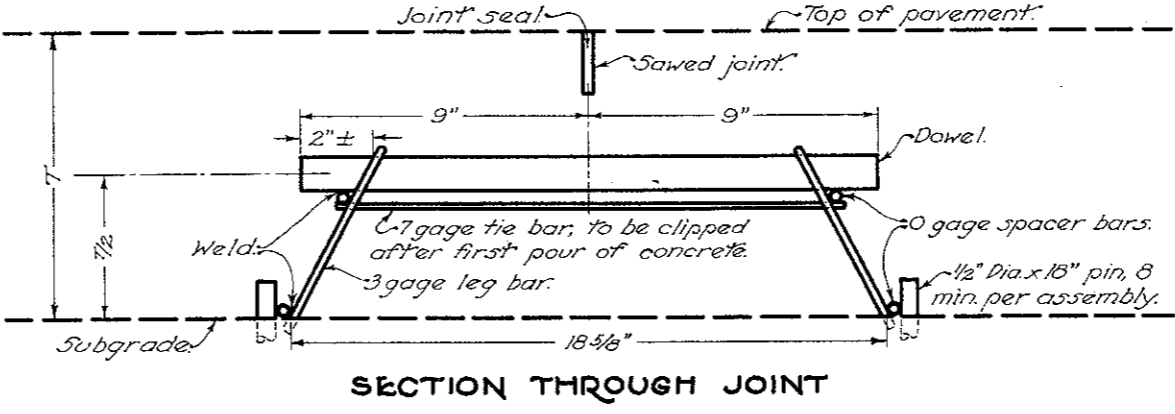
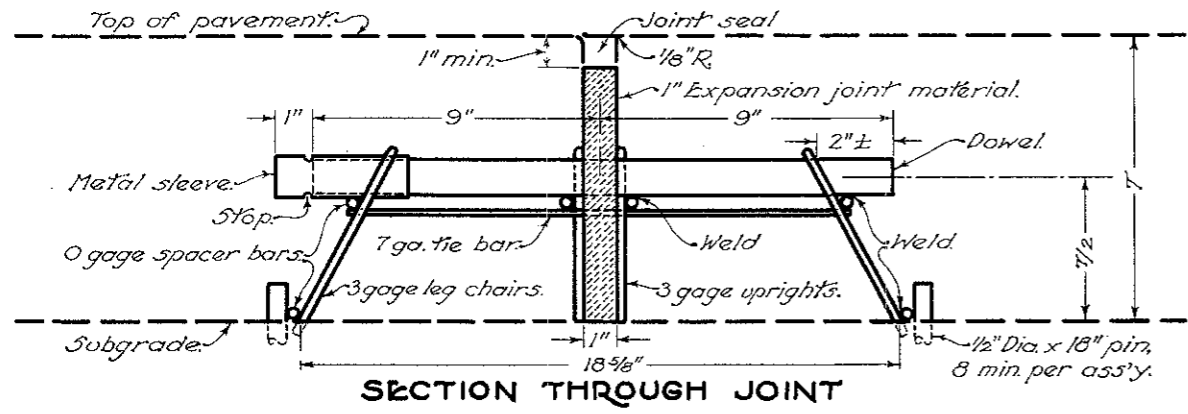


TRANSVERSE JOINTS

EXPANSION JOINT

SAWED CONTRACTION JOINT

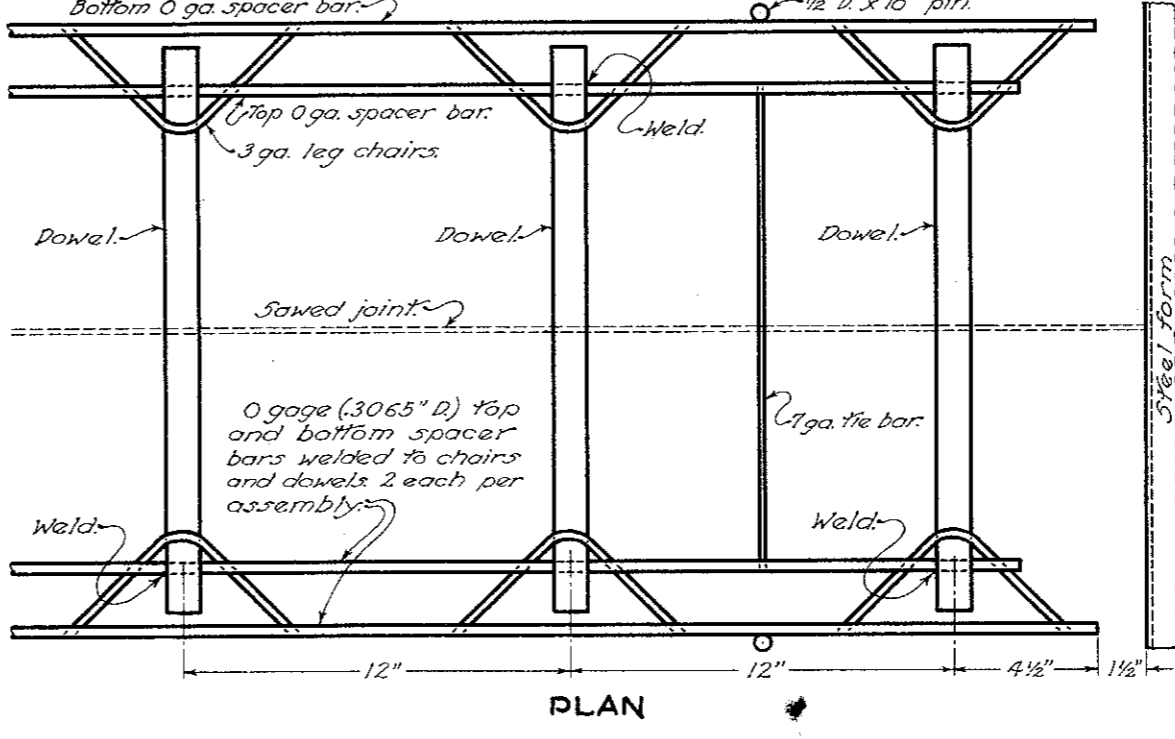
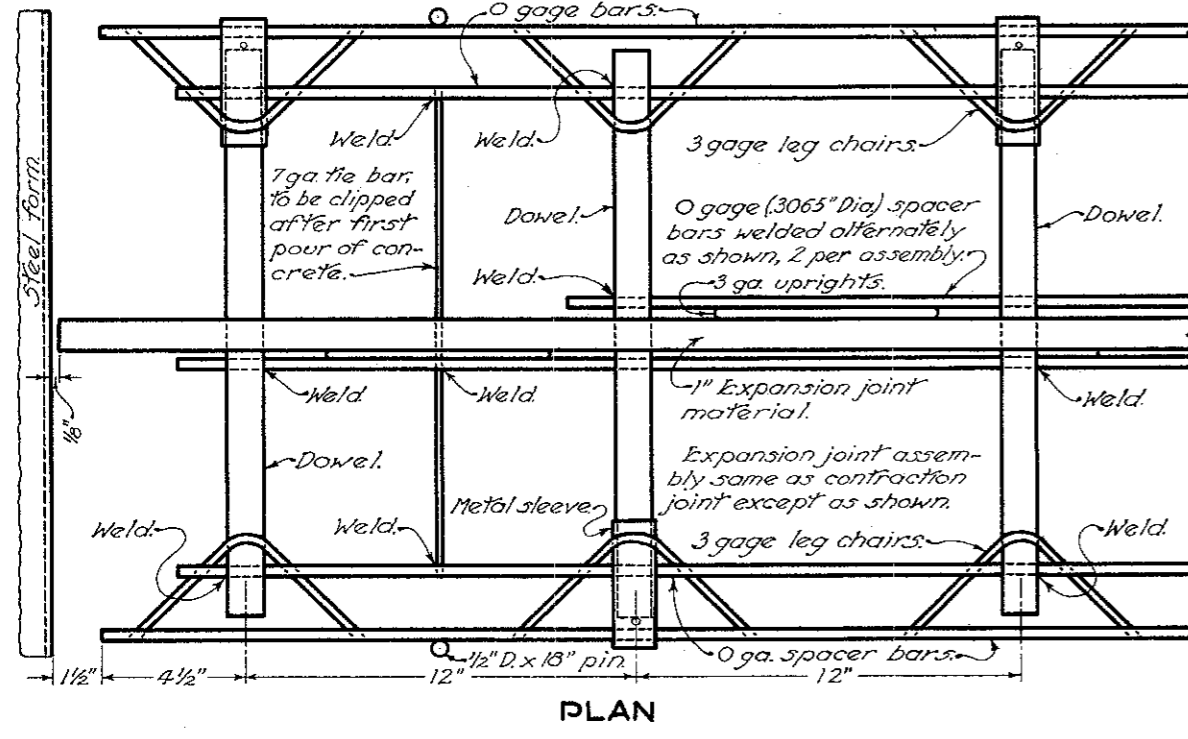
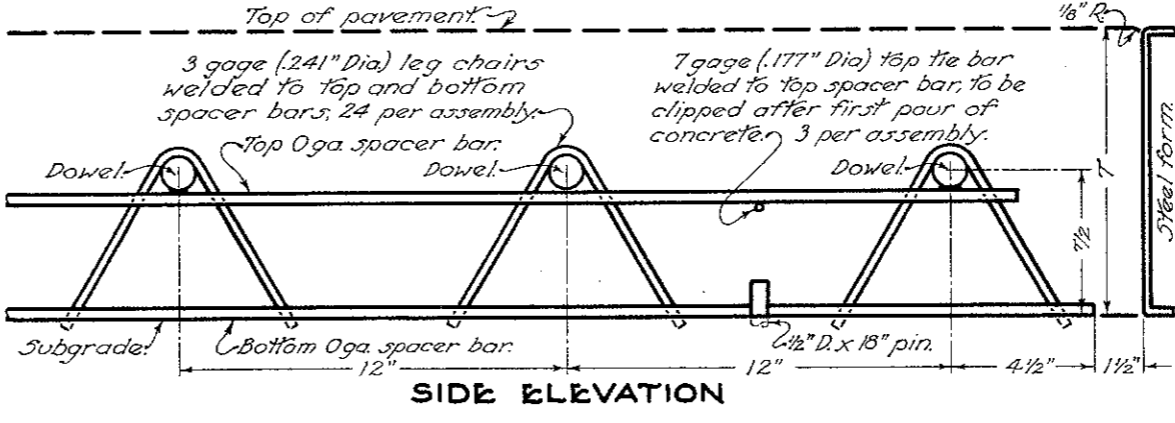
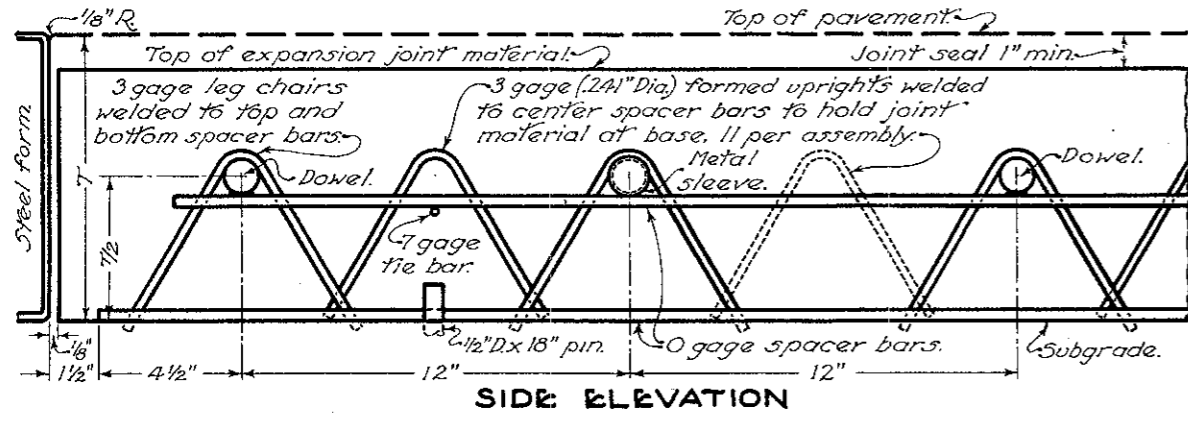
NOTES



This joint assembly shall meet the requirements of Standard drawing "T.J."

Expansion joint material shall be adequately staked to maintain it in a vertical position.

Top of expansion joint material shall be protected by a metal cap during the placing and finishing of concrete pavement.



BUREAU OF LOCATION AND DESIGN
OHIO DEPARTMENT OF HIGHWAYS

DATE: 5-1-61

PAVEMENT JOINT ASSEMBLY NO. 13

APPROVED

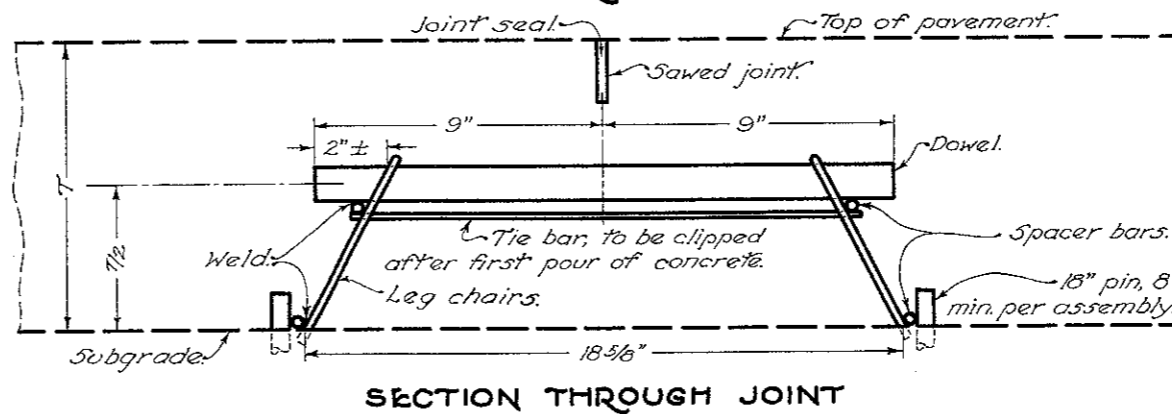
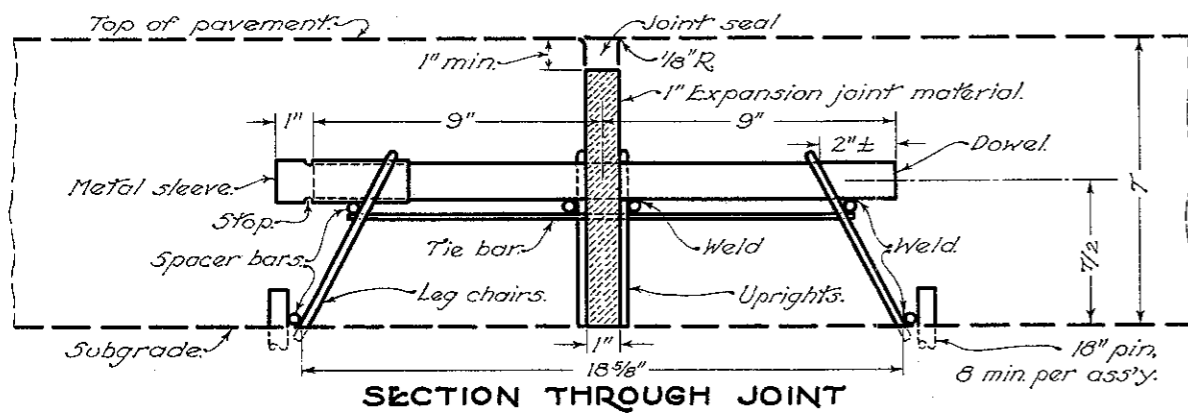
W. J. ...
ENGINEER OF LOCATION & DESIGN

TRANSVERSE JOINTS

EXPANSION JOINT

SAWED CONTRACTION JOINT

NOTES



This joint assembly shall meet the requirements of Standard drawing BP-4.

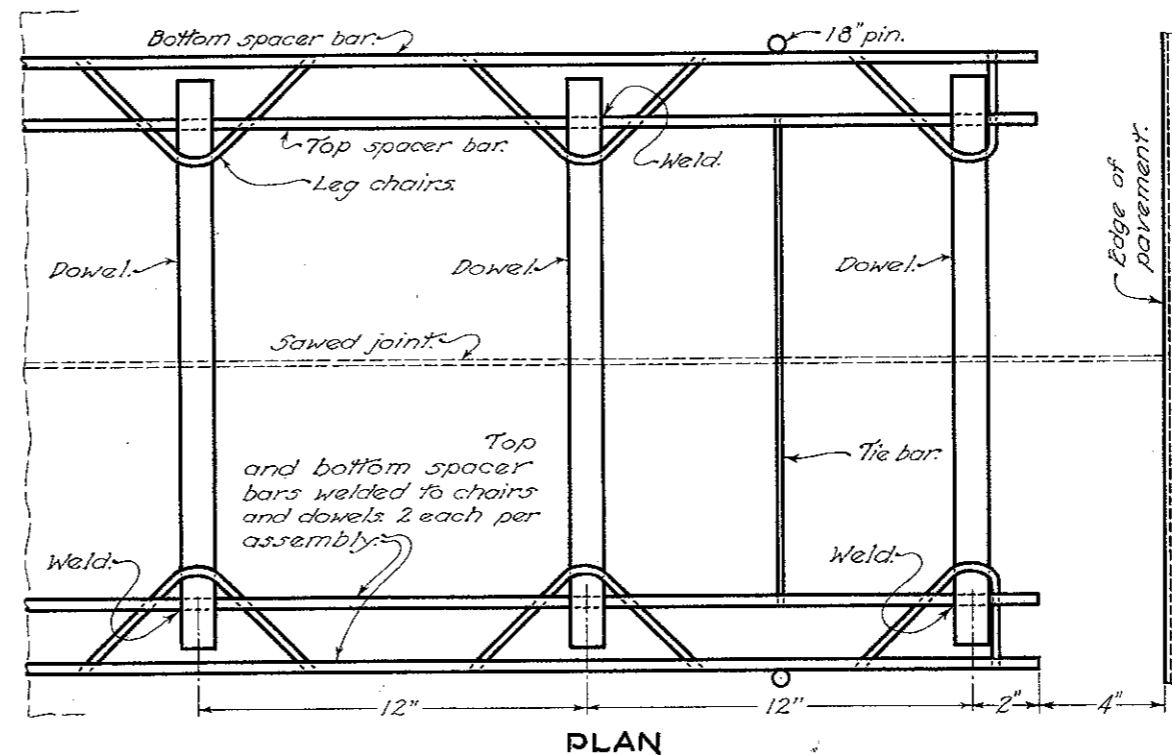
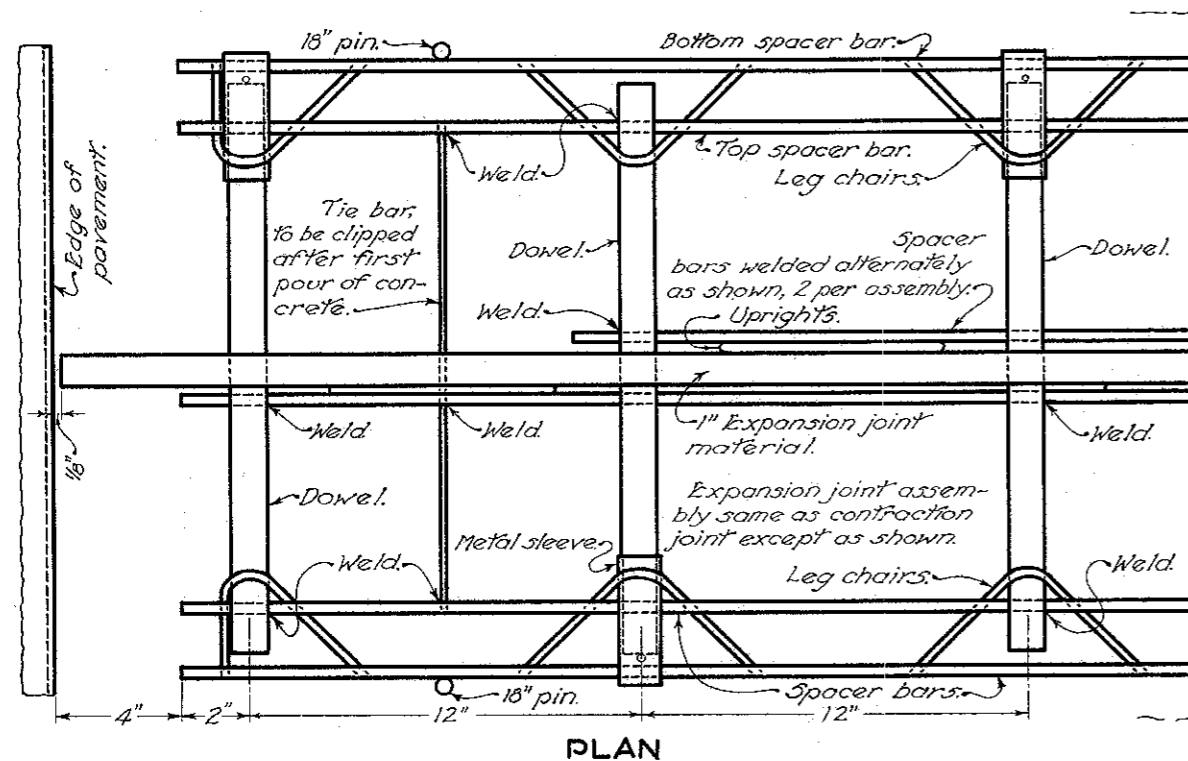
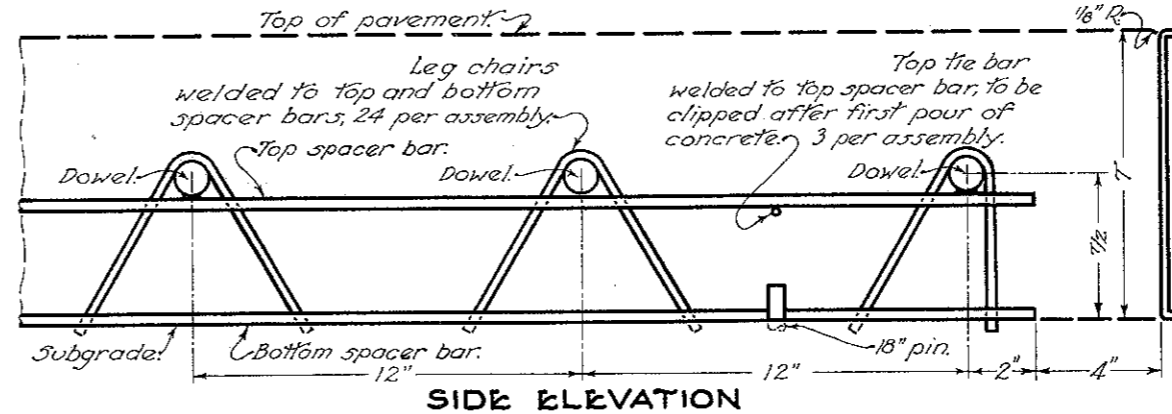
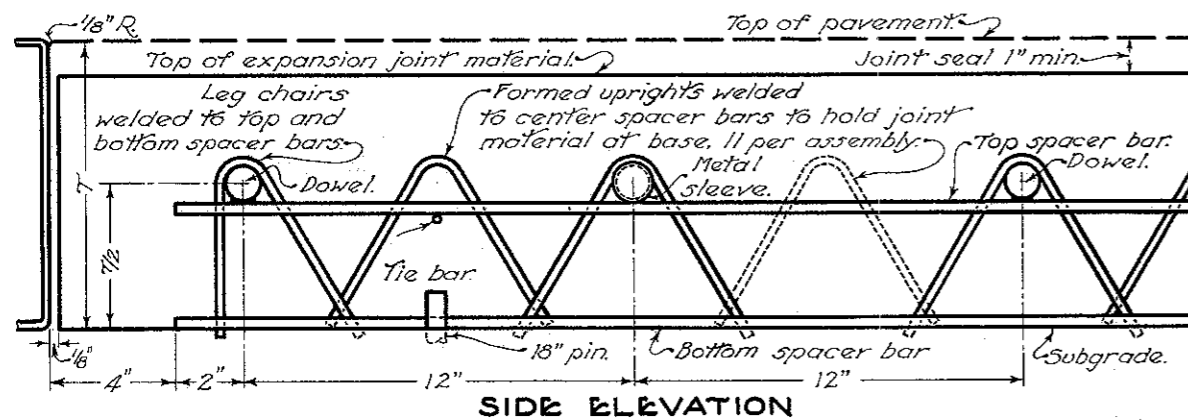
Expansion joint material shall be adequately staked to maintain it in a vertical position.

Top of expansion joint material shall be protected by a metal cap during the placing and finishing of concrete pavement.

The dowel support bars shall be the following minimum sizes:

Leg chairs	0.250"
Uprights	0.250"
Spacer bars	0.297"
Tie bars	0.174"
Staking pins	0.484"

Oversize bars shall not be cause for rejection.



BUREAU OF LOCATION AND DESIGN
OHIO DEPARTMENT OF HIGHWAYS

DATE: 5-1-61
6-6-69

PAVEMENT
JOINT ASSEMBLY
NO. 13

APPROVED
R.E. Betlin
ENGINEER OF LOCATION & DESIGN