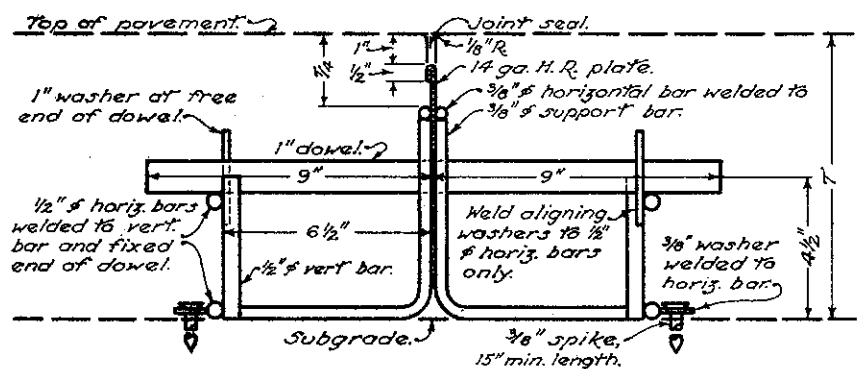


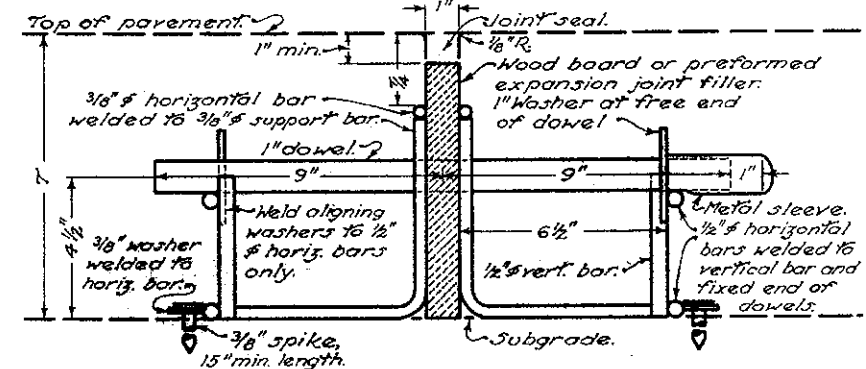
TRANSVERSE JOINTS

EXPANSION JOINT

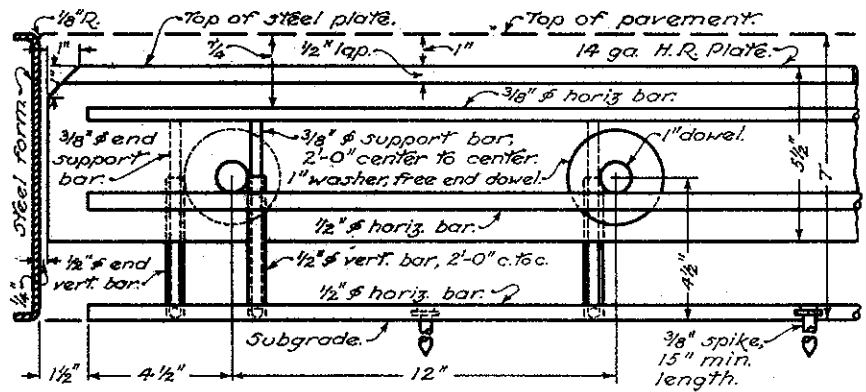
IMPRESSED CONTRACTION JOINT



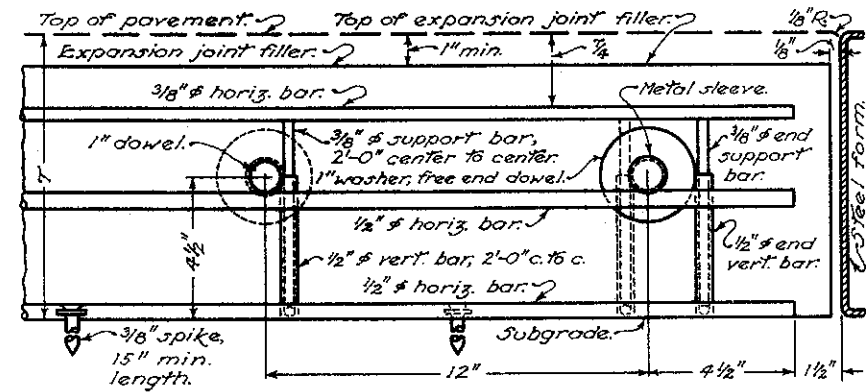
SECTION THROUGH JOINT



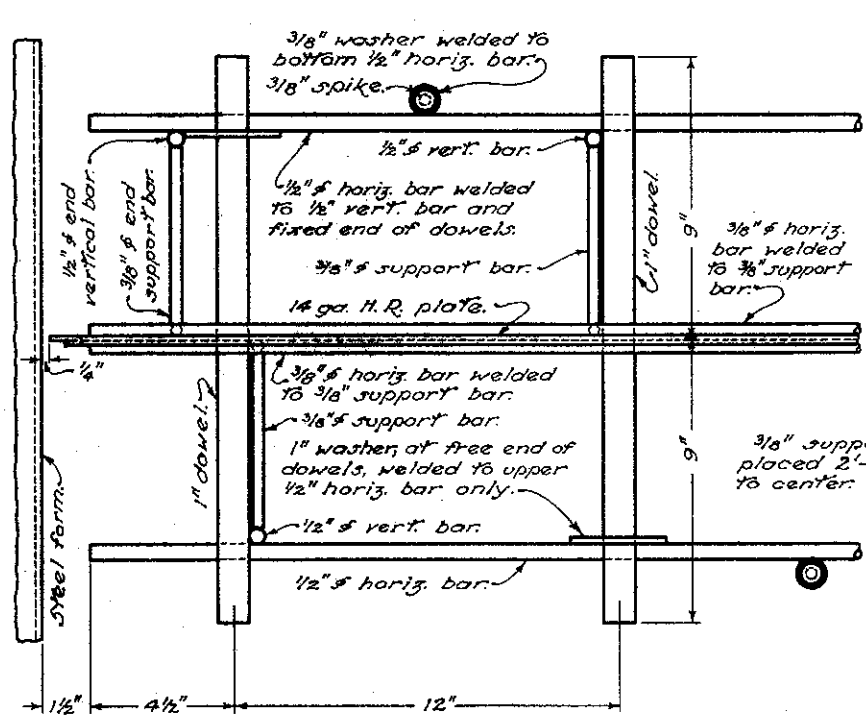
SECTION THROUGH JOINT



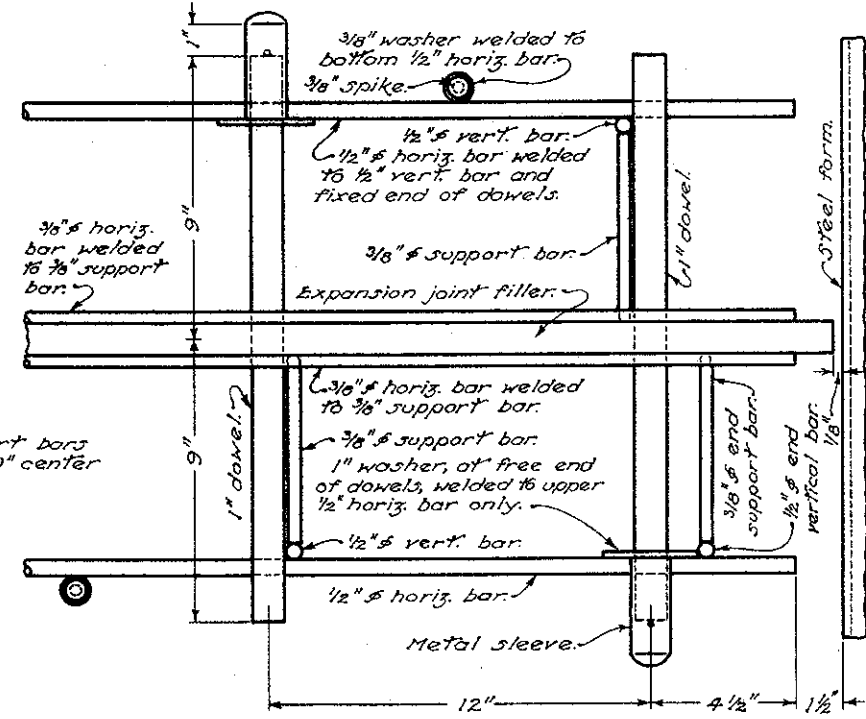
SIDE ELEVATION



SIDE ELEVATION



PLAN



PLAN

BUREAU OF LOCATION AND DESIGN
OHIO DEPARTMENT OF HIGHWAYS

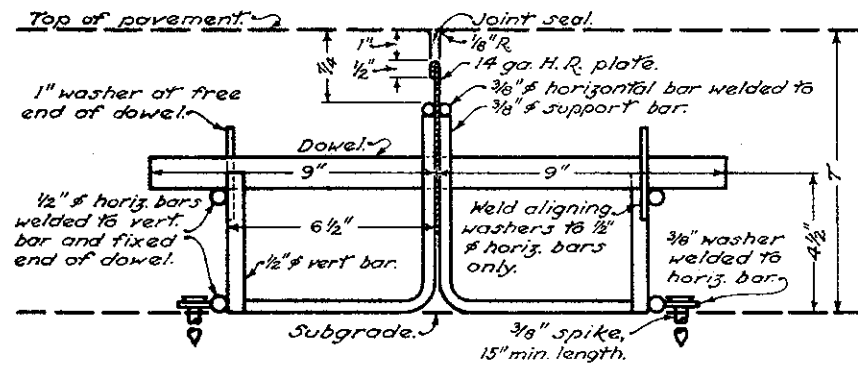
**PAVEMENT
JOINT ASSEMBLY
NO. 2**

APPROVED *W. J. Gault* DEPUTY DIRECTOR
DESIGN AND CONSTRUCTION

DATE
7-1-55

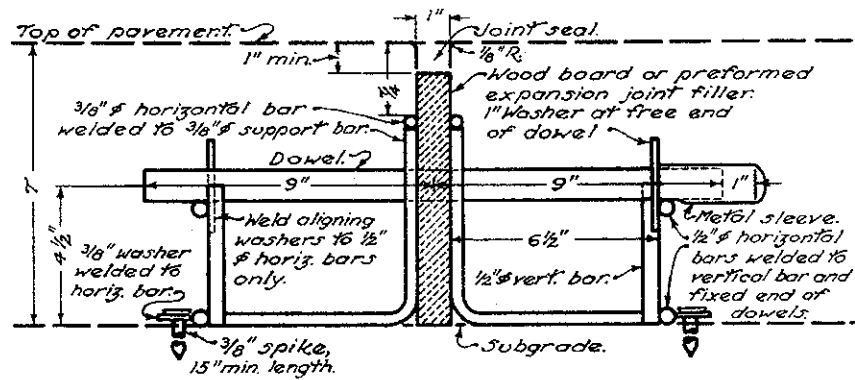
TRANSVERSE JOINTS

PLATE CONTRACTION JOINT



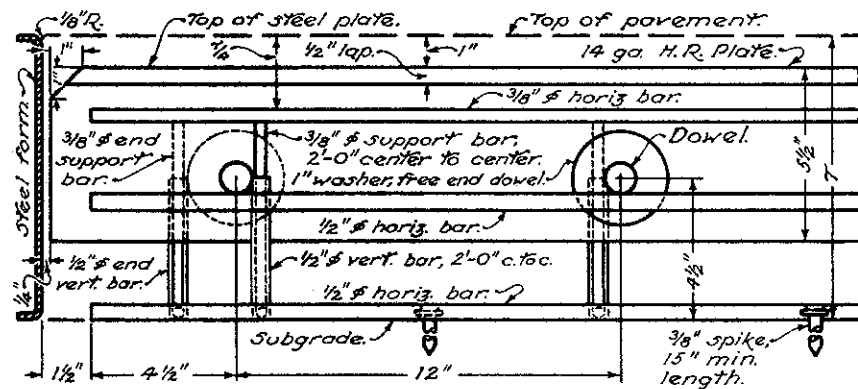
SECTION THROUGH JOINT

EXPANSION JOINT

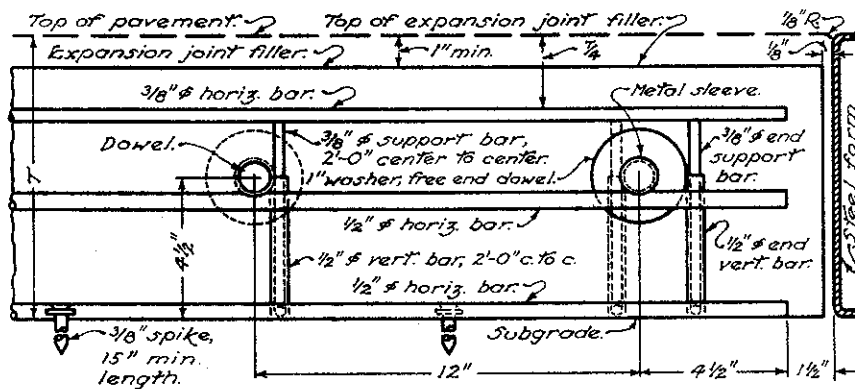


SECTION THROUGH JOINT

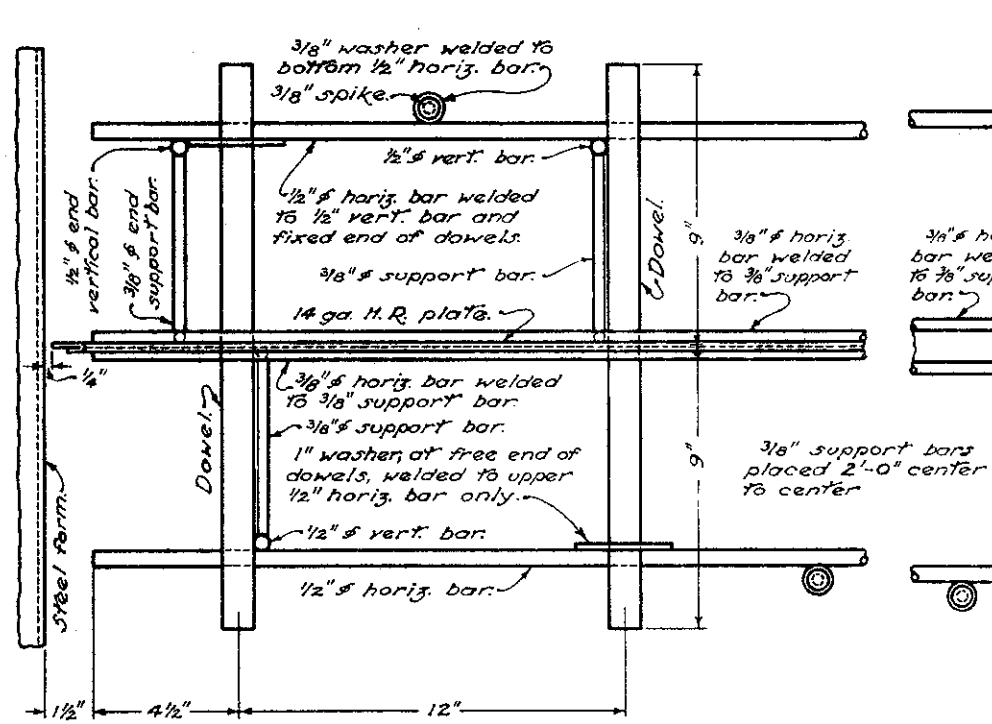
NOTES
This joint assembly shall meet the requirements of Standard Drawing "T.J".
Top of expansion joint material shall be protected by a metal cap during the placing and finishing of concrete pavement.



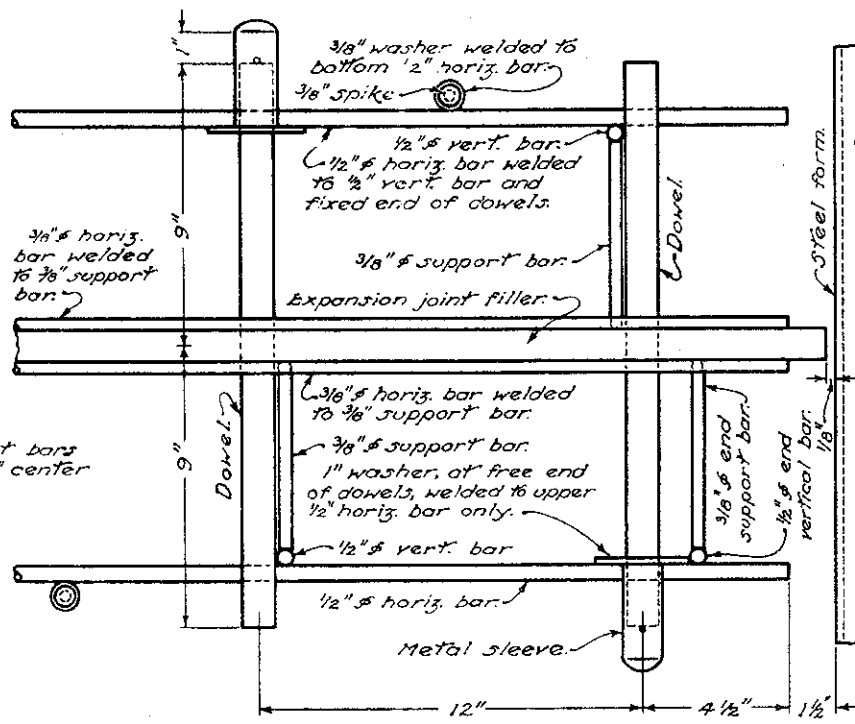
SIDE ELEVATION



SIDE ELEVATION



PLAN



PLAN

BUREAU OF LOCATION AND DESIGN OHIO DEPARTMENT OF HIGHWAYS	
PAVEMENT JOINT ASSEMBLY NO. 2	
DATE 7-1-55 9-12-50	
APPROVED <i>W. J. ...</i> ENGINEER OF LOCATION & DESIGN	