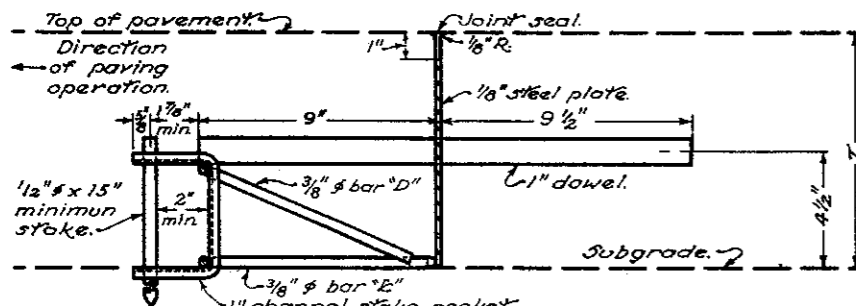


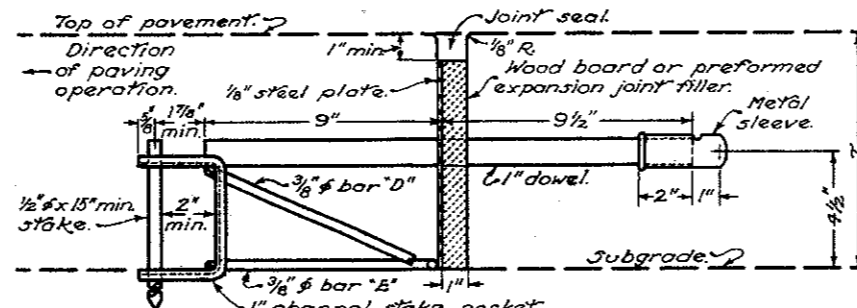
TRANSVERSE JOINTS

EXPANSION JOINT

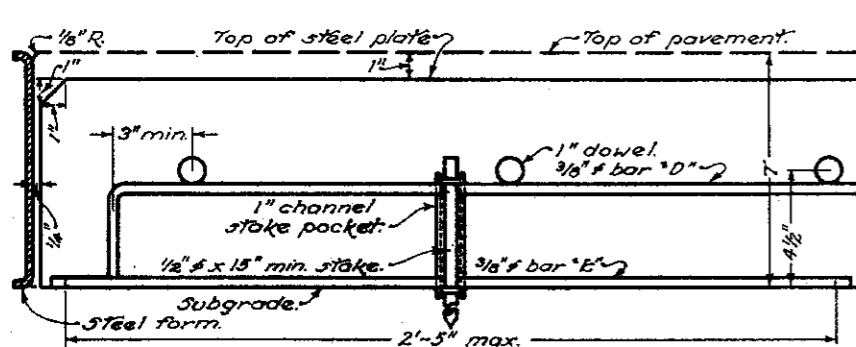
IMPRESSED CONTRACTION JOINT



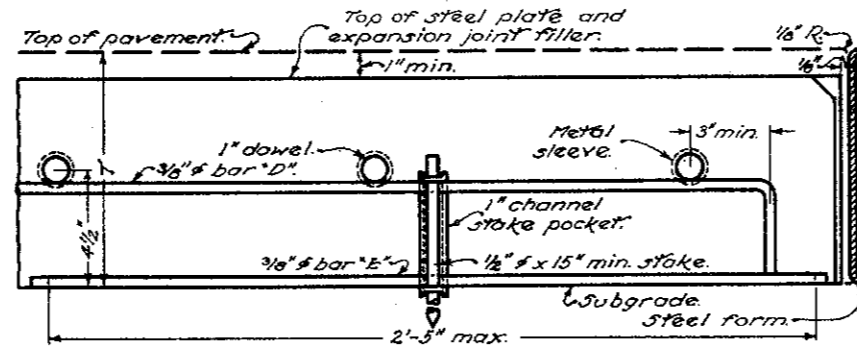
SECTION THROUGH JOINT



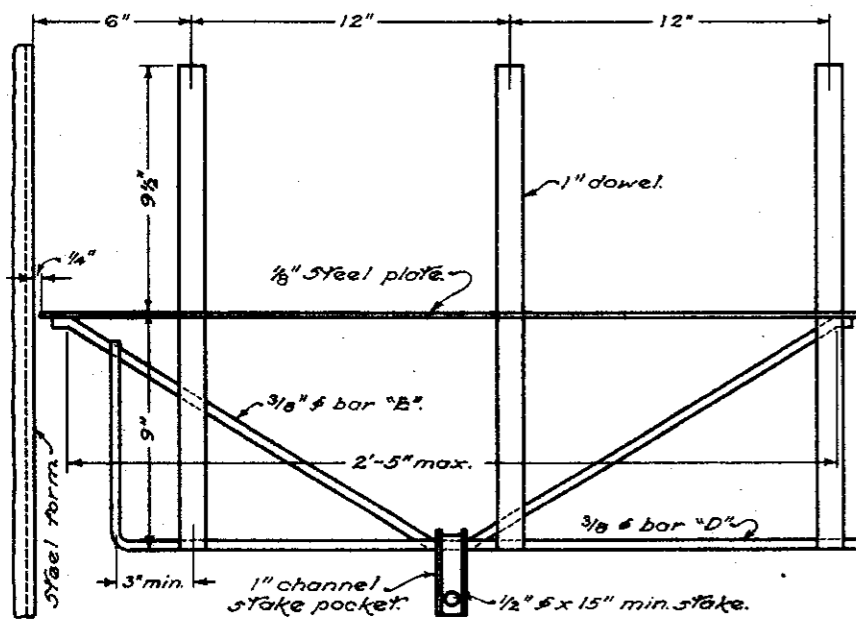
SECTION THROUGH JOINT



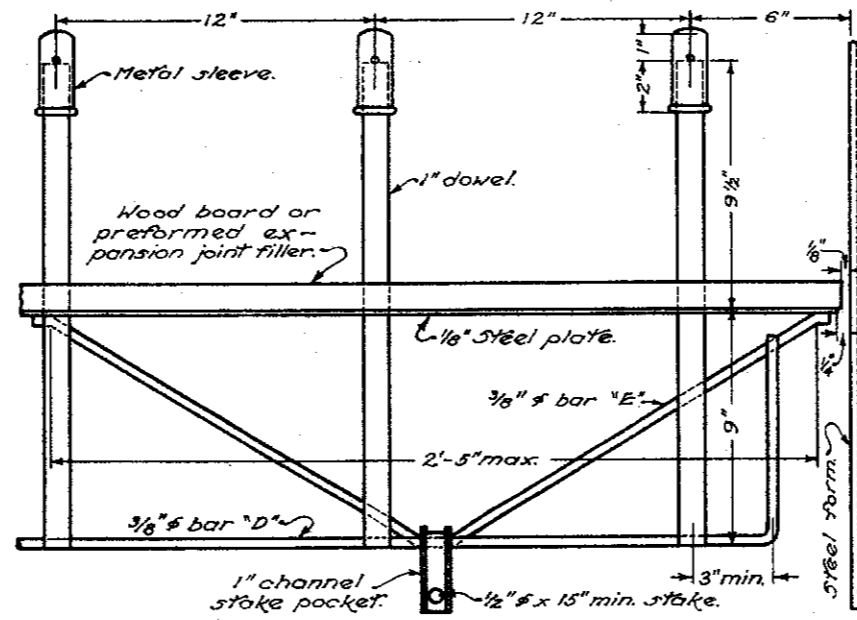
SIDE ELEVATION



SIDE ELEVATION



PLAN

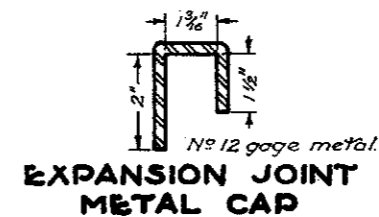


PLAN

WELD bar "D" to bar "E", bar "E" to steel plate, dowels to bar "D" and steel plate, and channels to bars "D" and "E".

NOTICE
APPROVAL OF THIS
ASSEMBLY WITHDRAWN
EFFECTIVE NOV. 10, 1955

I. F. G. Gould
DEPUTY DIRECTOR
DESIGN AND CONSTRUCTION



BUREAU OF LOCATION AND DESIGN
OHIO DEPARTMENT OF HIGHWAYS

**PAVEMENT
JOINT ASSEMBLY
No. 3**

DATE
7-1-56

APPROVED *I. F. G. Gould* DEPUTY DIRECTOR
DESIGN AND CONSTRUCTION