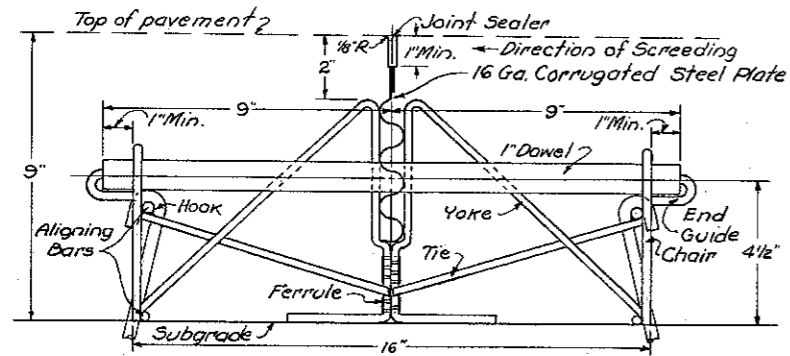


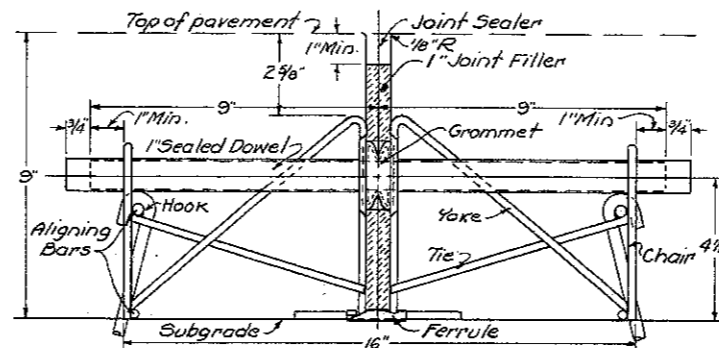
TRANSVERSE JOINTS

IMPRESSED CONTRACTION JOINT



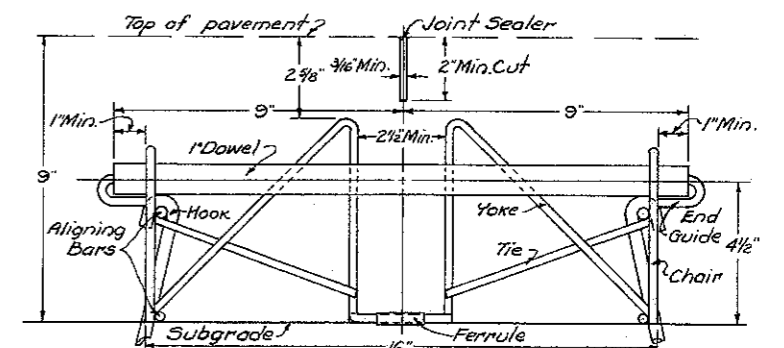
JOINT SECTION

EXPANSION JOINT

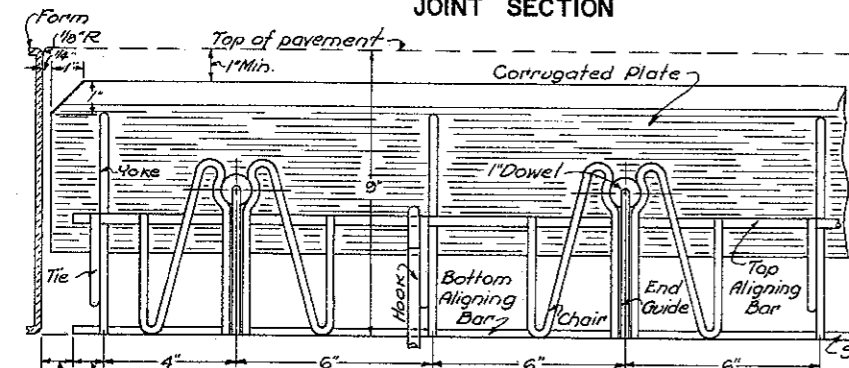


JOINT SECTION

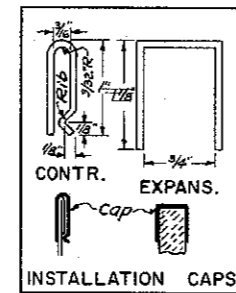
SAWED CONTRACTION JOINT



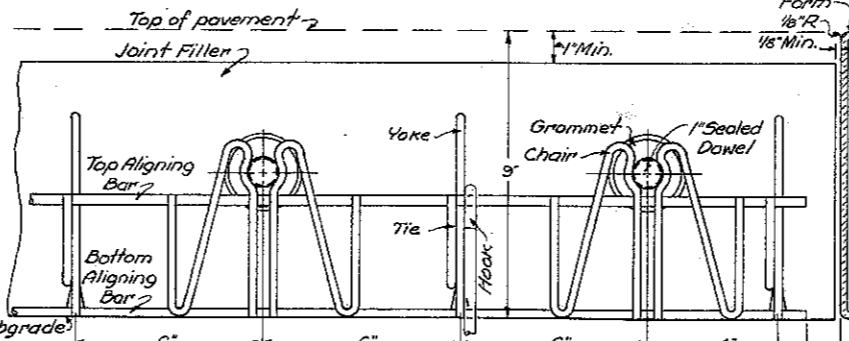
JOINT SECTION



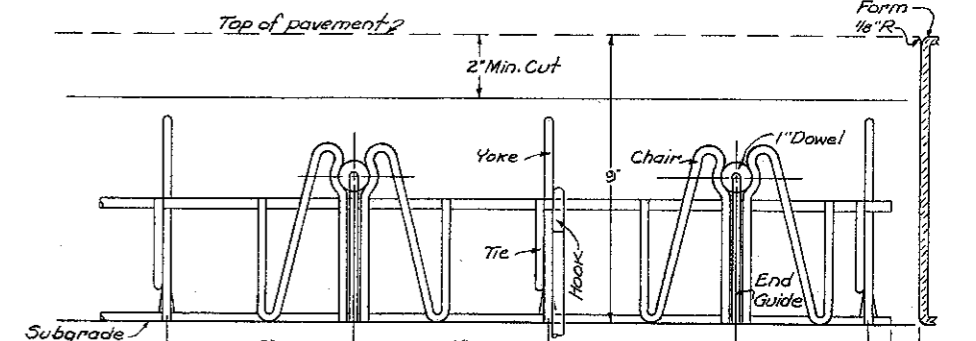
SIDE ELEVATION



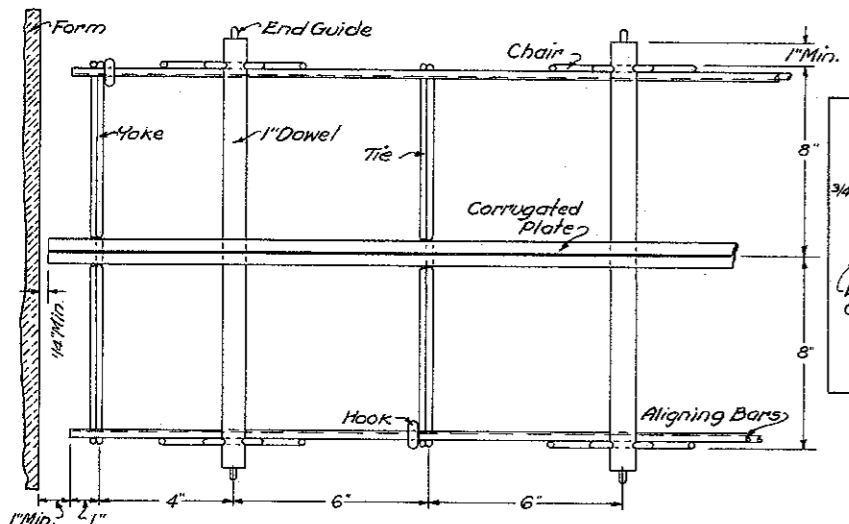
INSTALLATION CAPS



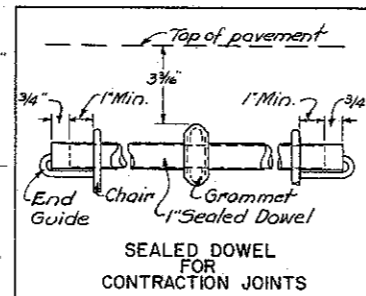
SIDE ELEVATION



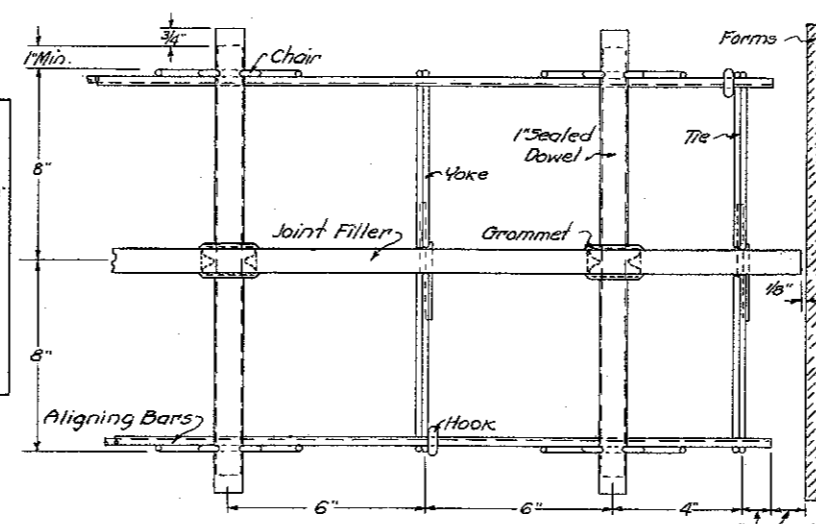
SIDE ELEVATION



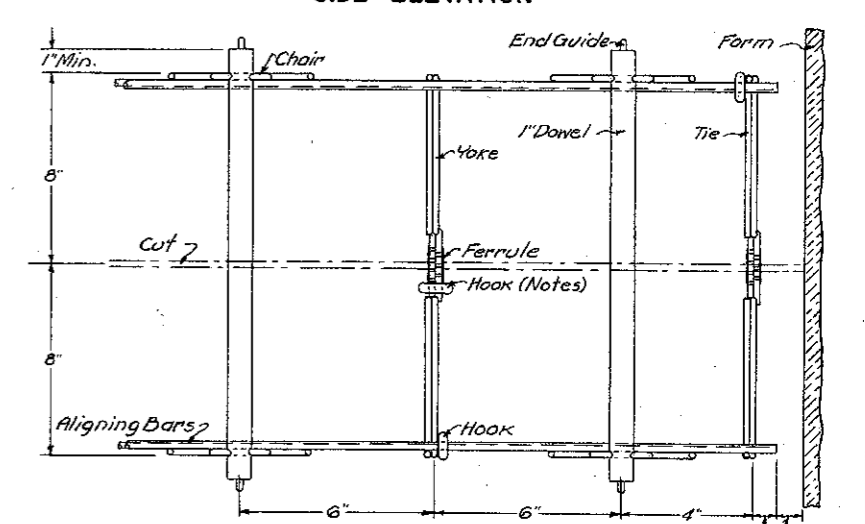
PLAN



SEALED DOWEL FOR CONTRACTION JOINTS



PLAN



PLAN

NOTES

Contraction Joints: Sealed Dowel as shown may be used.
 All Joints: The Ferrules may be replaced by staking with Hooks as directed by the Engineer.
 Expansion Joint: The Grommet shall be sealed onto the joint filler in a satisfactory manner.
 The contacting surfaces of the Sealed Dowel shall be permanently lubricated by the manufacturer. Any other lubrication shall be performed as directed by the Engineer.

NOT APPROVED
 FOR USE ON
 FEDERAL AID
 PROJECTS

BUREAU OF LOCATION AND DESIGN
 OHIO DEPARTMENT OF HIGHWAYS

PAVEMENT
 JOINT ASSEMBLY
 NO. 4

DATE
 7-1-55
 11-1-55

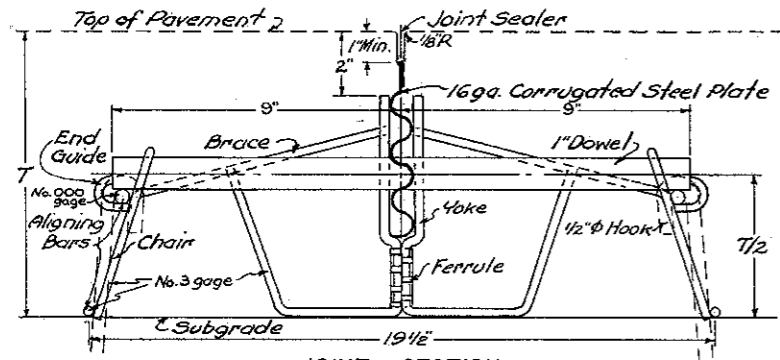
APPROVED *I. J. Gould*
 DEPUTY DIRECTOR
 DESIGN AND CONSTRUCTION

TRANSVERSE JOINTS

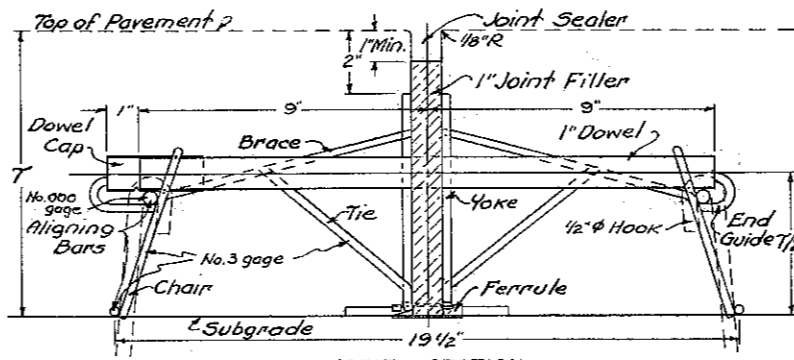
IMPRESSED CONTRACTION JOINT

EXPANSION JOINT

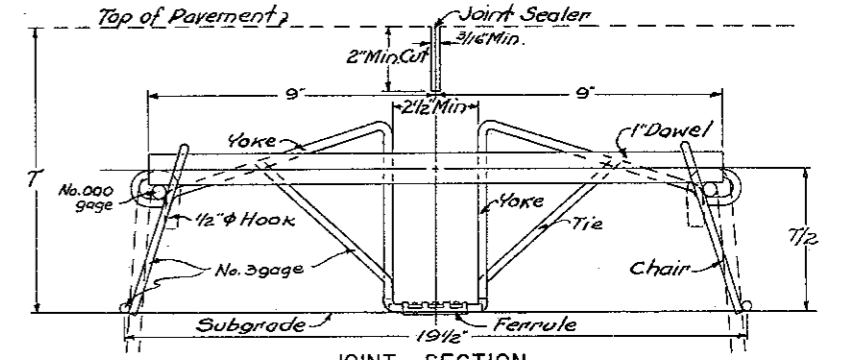
SAWED CONTRACTION JOINT



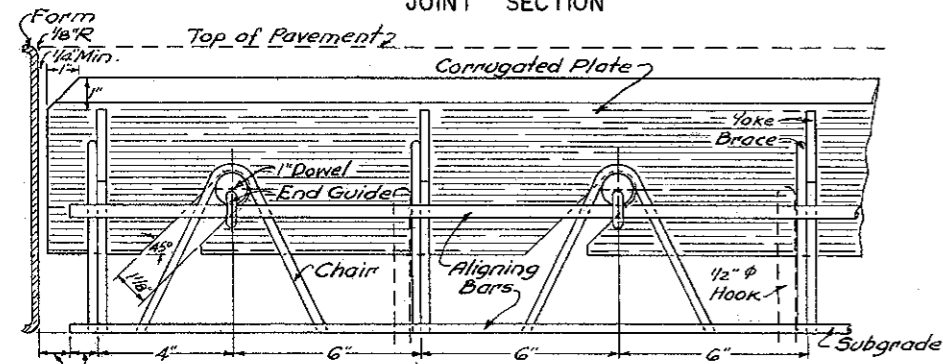
JOINT SECTION



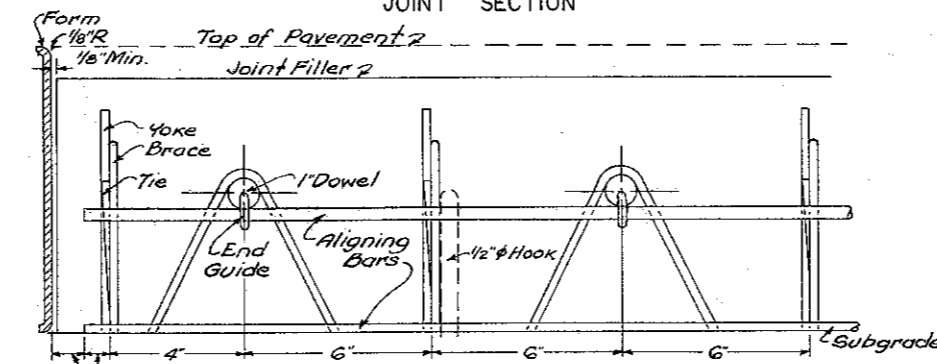
JOINT SECTION



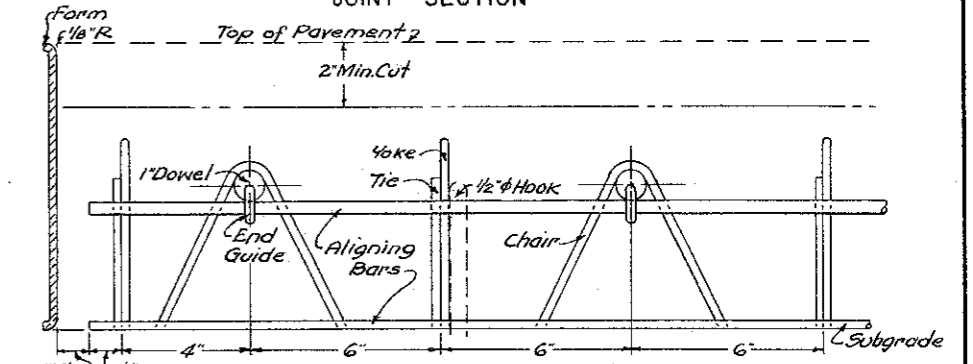
JOINT SECTION



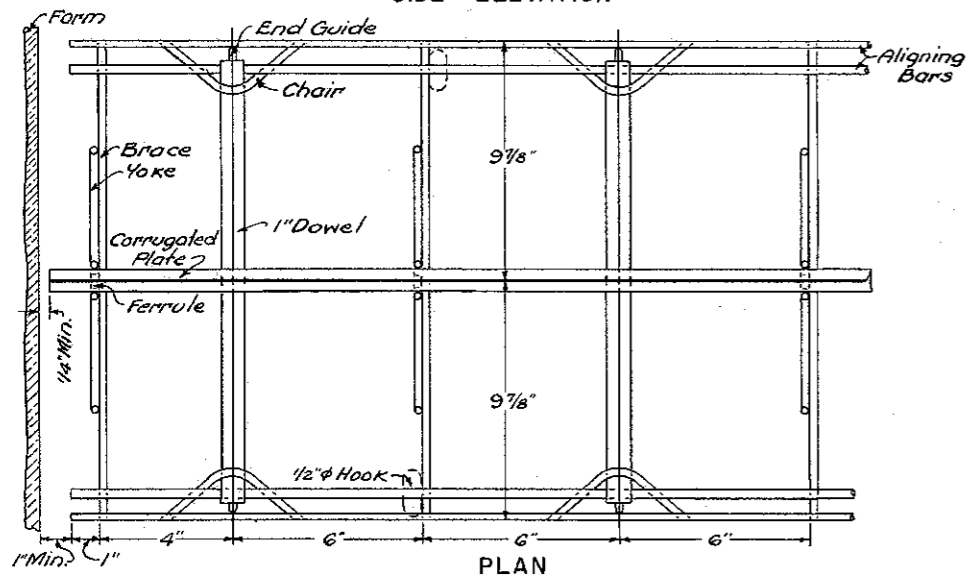
SIDE ELEVATION



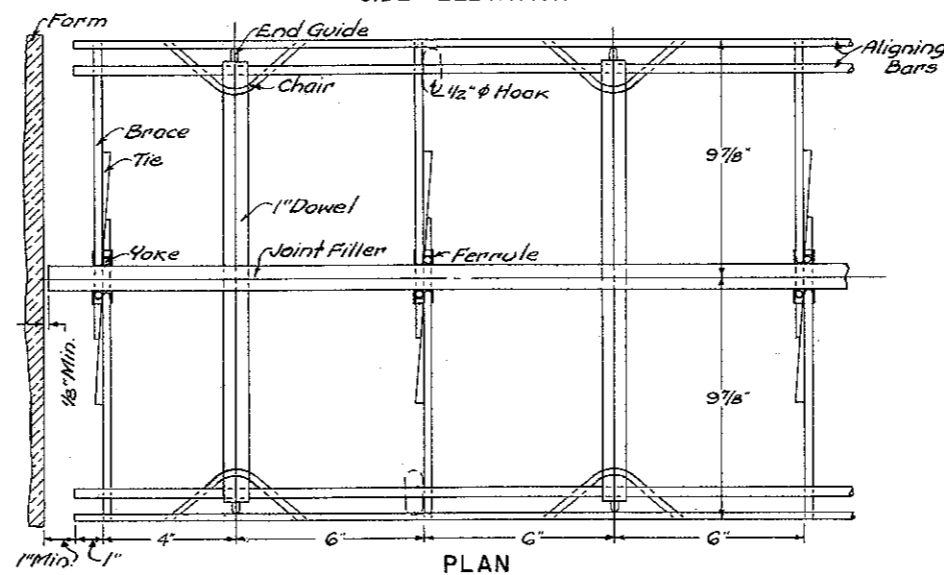
SIDE ELEVATION



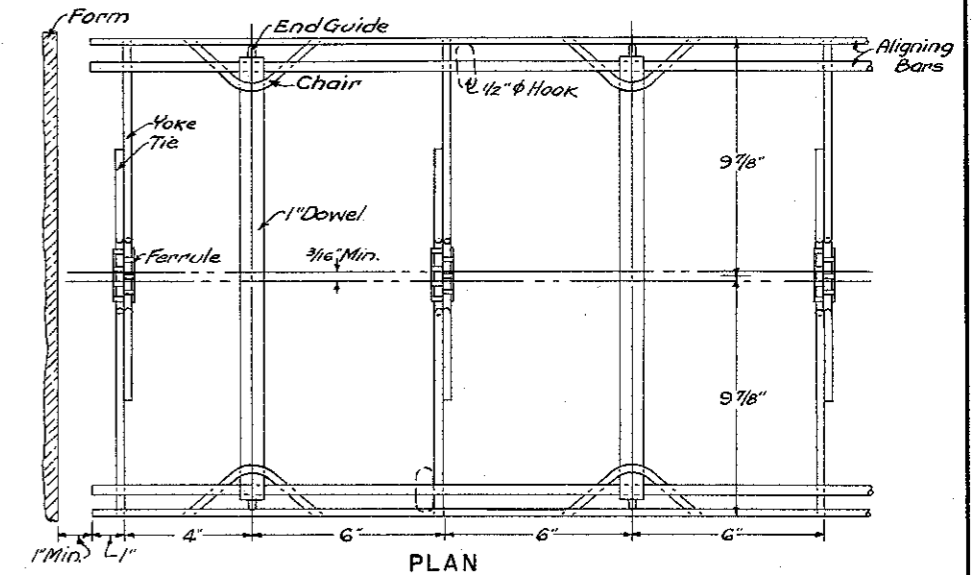
SIDE ELEVATION



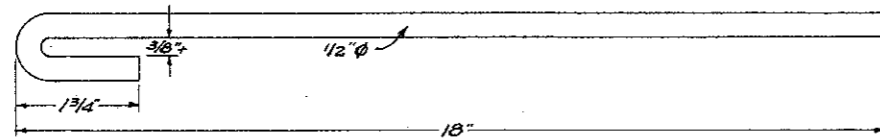
PLAN



PLAN



PLAN



ANCHOR HOOK

The Ferrules may be replaced by staking with Anchor Hooks as directed by the Engineer.

BUREAU OF LOCATION AND DESIGN
OHIO DEPARTMENT OF HIGHWAYS

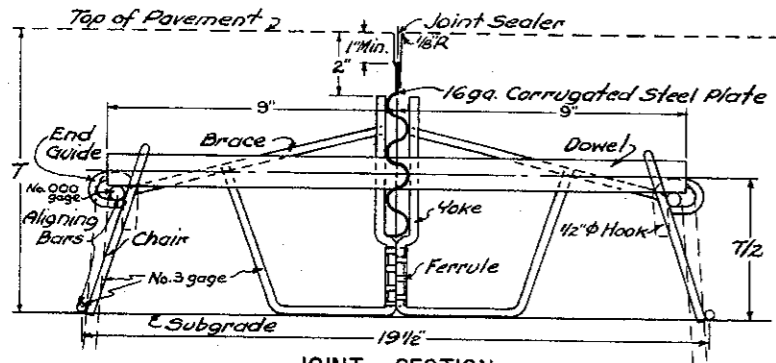
**PAVEMENT
JOINT ASSEMBLY
No. 4**

DATE
7-1-55
1-2-56

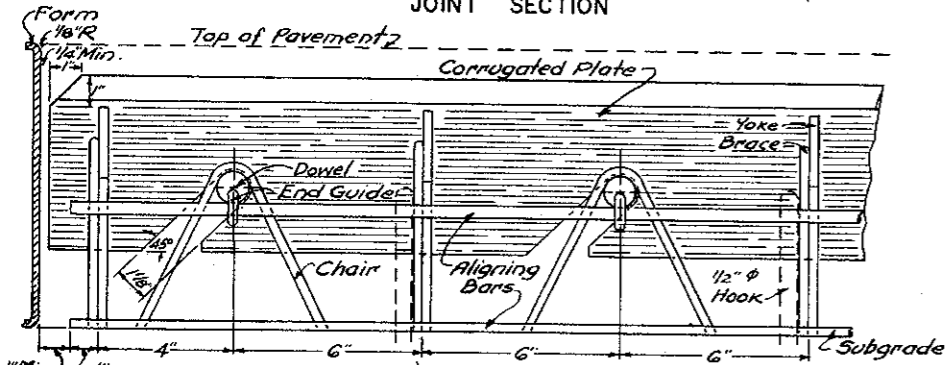
APPROVED *W. B. Broad*
DEPUTY DIRECTOR,
DESIGN AND CONSTRUCTION

TRANSVERSE JOINTS

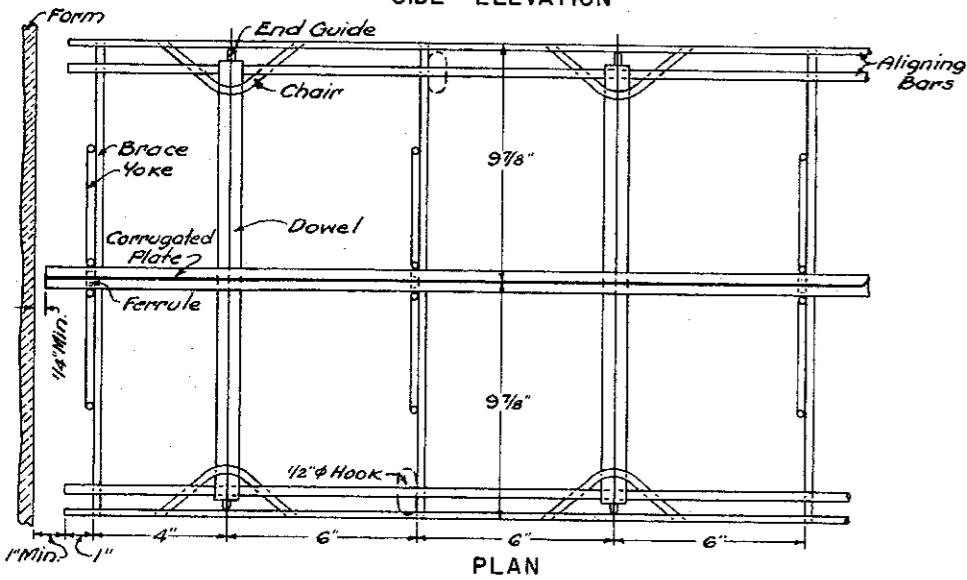
PLATE CONTRACTION JOINT



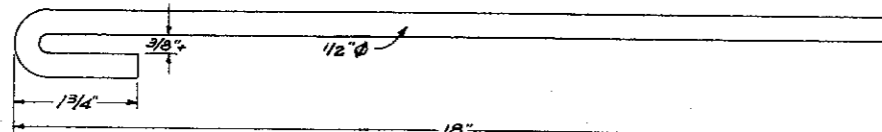
JOINT SECTION



SIDE ELEVATION



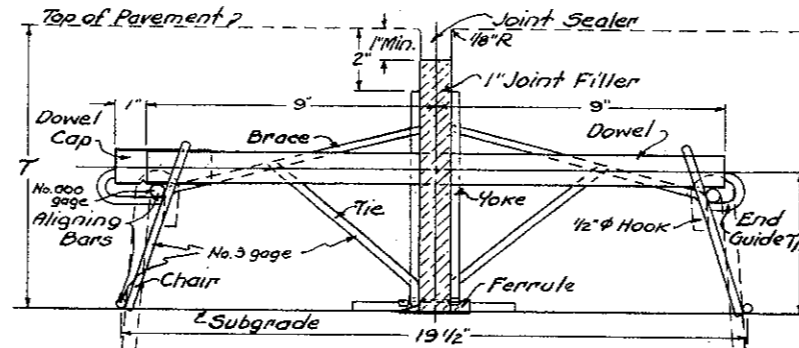
PLAN



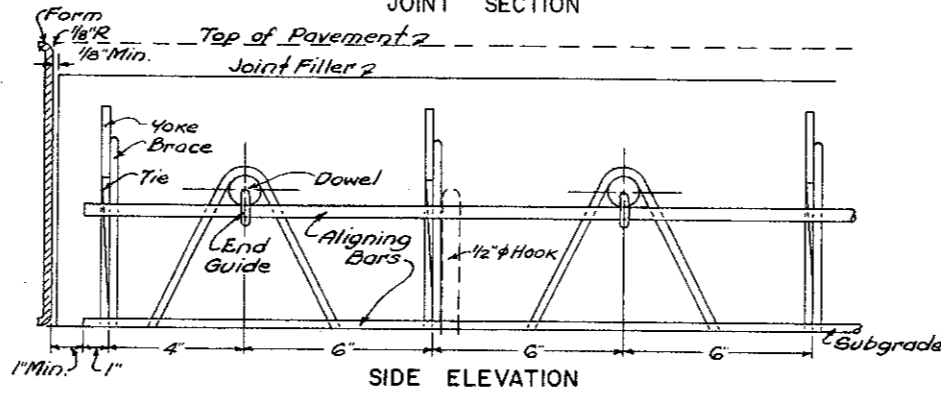
ANCHOR HOOK

The Ferrules may be replaced by staking with Anchor Hooks as directed by the Engineer.

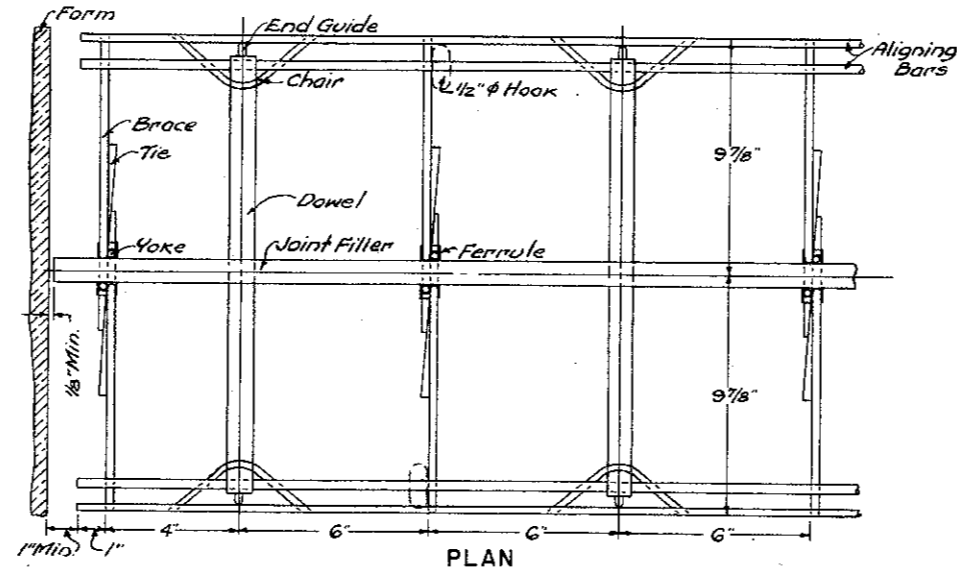
EXPANSION JOINT



JOINT SECTION

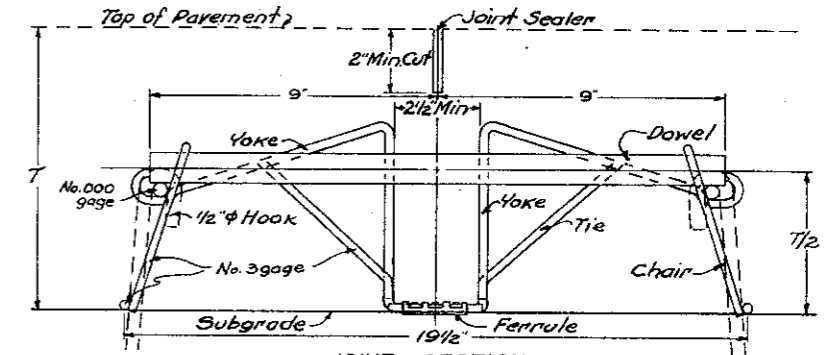


SIDE ELEVATION

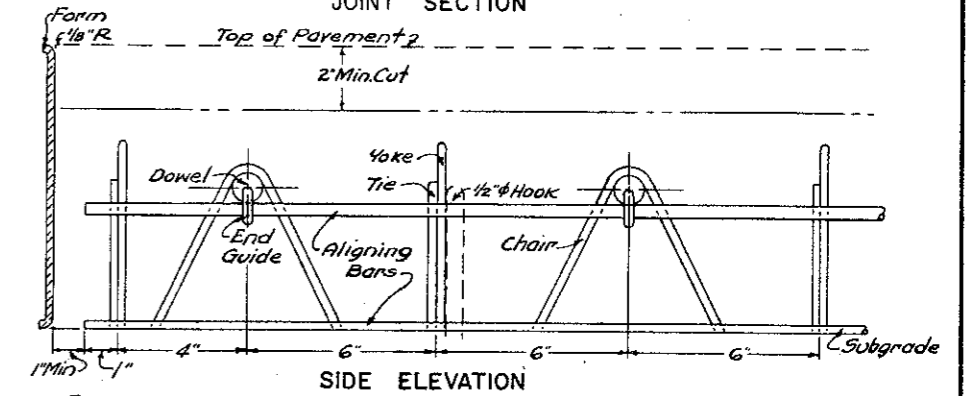


PLAN

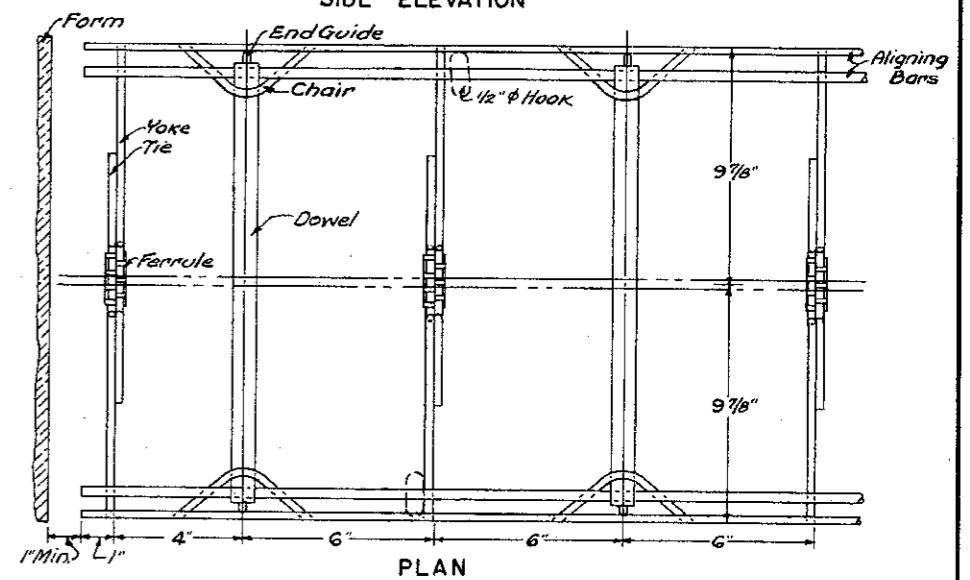
SAWED CONTRACTION JOINT



JOINT SECTION



SIDE ELEVATION



PLAN

NOTES

This assembly shall meet the requirements of Standard Drawing "T.J."

Top of expansion joint material shall be protected by a metal cap during the placing and finishing of concrete pavement.

BUREAU OF LOCATION AND DESIGN
OHIO DEPARTMENT OF HIGHWAYS

**PAVEMENT
JOINT ASSEMBLY
NO. 4**

DATE
7-1-55
1-2-56
9-12-60

APPROVED

Williamson
ENGINEER OF LOCATION & DESIGN