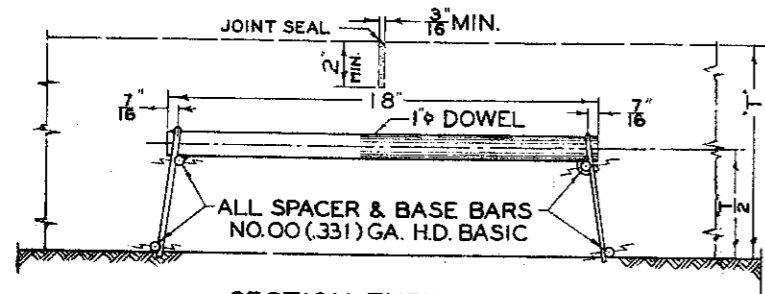


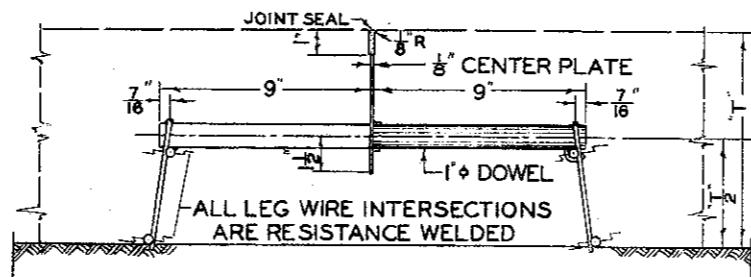
TRANSVERSE JOINTS

SAWED CONTRACTION JOINT



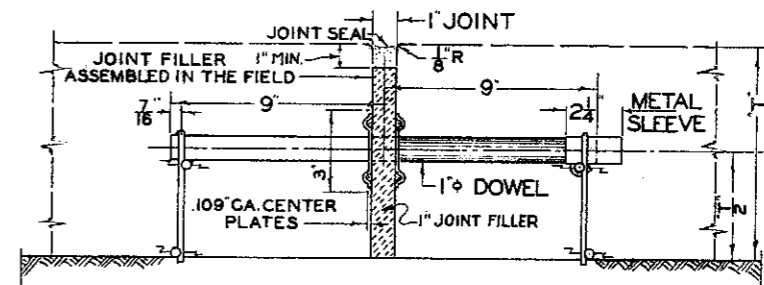
SECTION THRU JOINT

IMPRESSED CONTRACTION JOINT

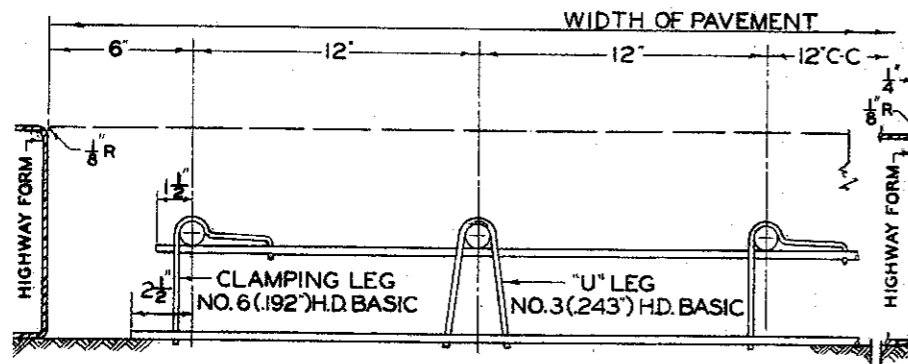


SECTION THRU JOINT

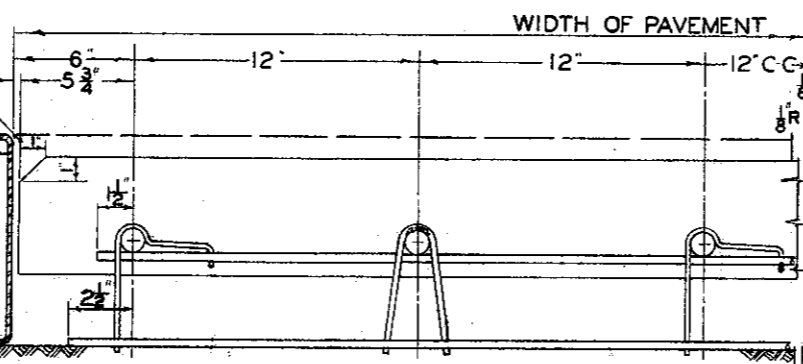
EXPANSION JOINT



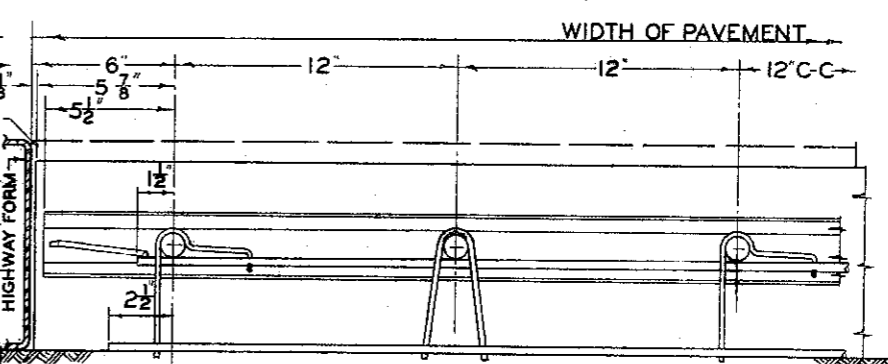
SECTION THRU JOINT



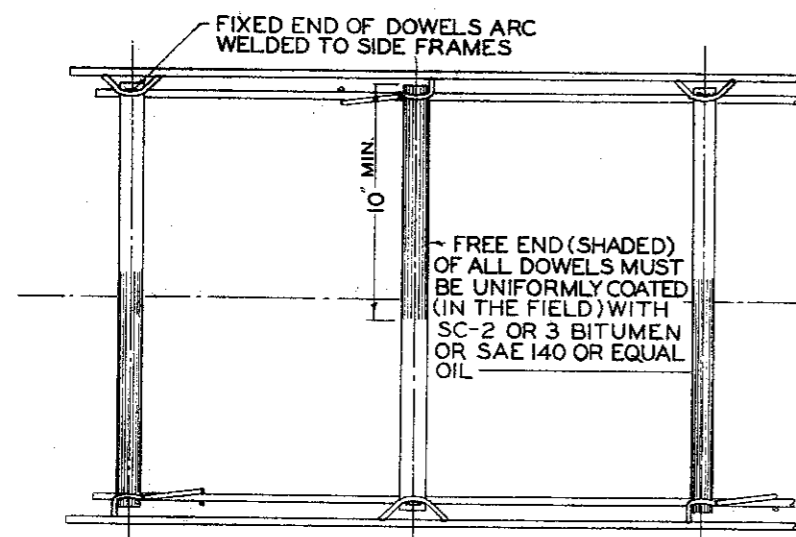
SIDE ELEVATION



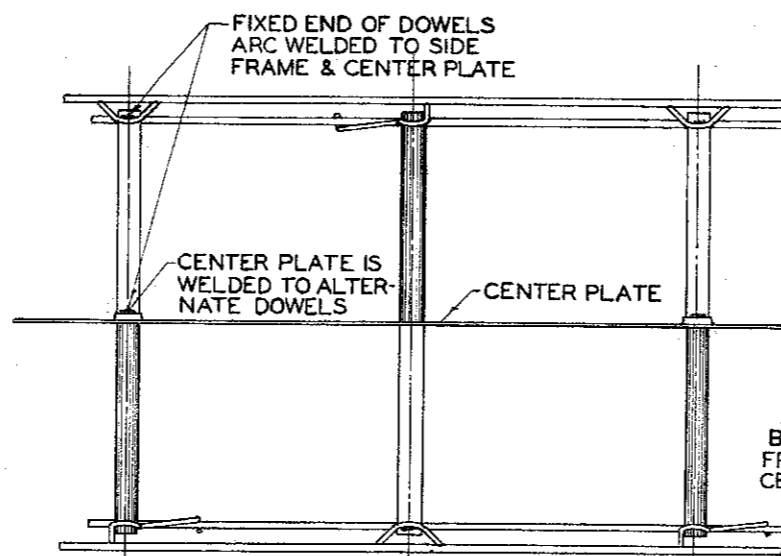
SIDE ELEVATION



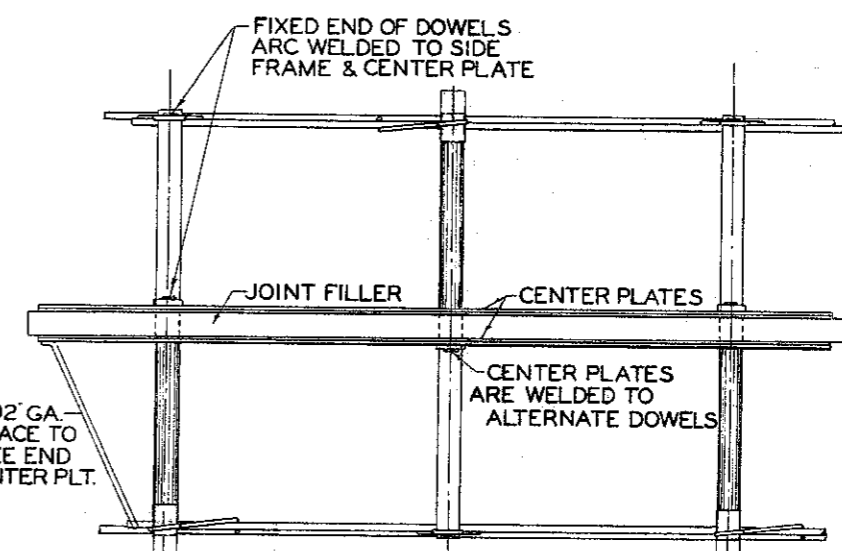
SIDE ELEVATION



PLAN



PLAN



PLAN

BUREAU OF LOCATION AND DESIGN
OHIO DEPARTMENT OF HIGHWAYS

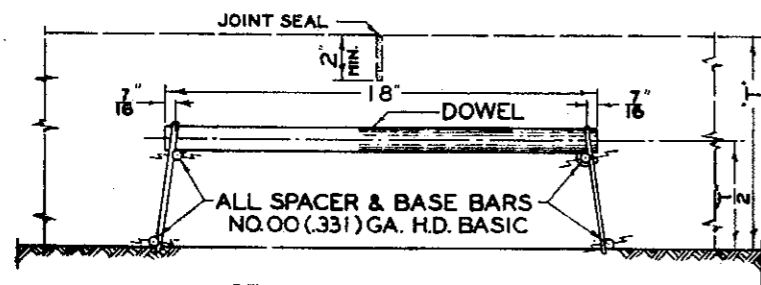
PAVEMENT
JOINT ASSEMBLY
NO. 7

DATE
1-2-56

APPROVED *W. G. ...*
DEPUTY DIRECTOR
DESIGN AND CONSTRUCTION

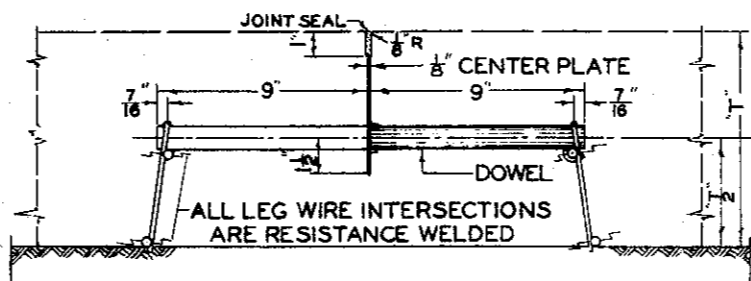
TRANSVERSE JOINTS

SAWED CONTRACTION JOINT



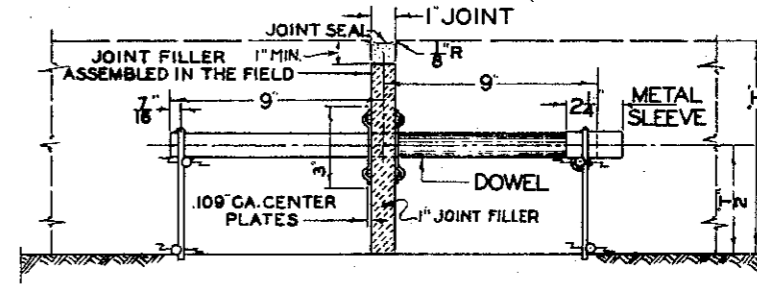
SECTION THRU JOINT

PLATE CONTRACTION JOINT

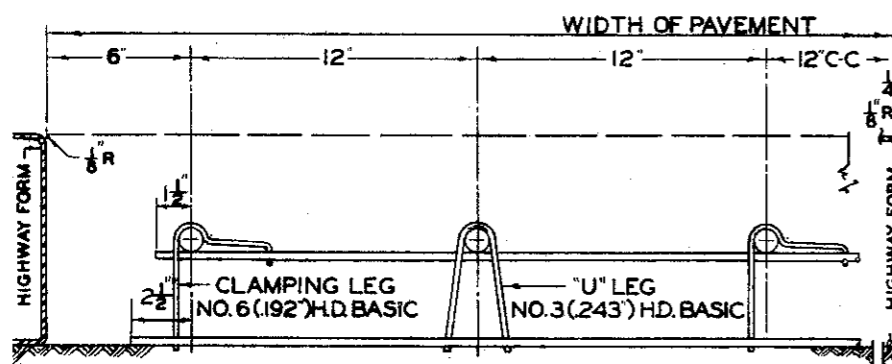


SECTION THRU JOINT

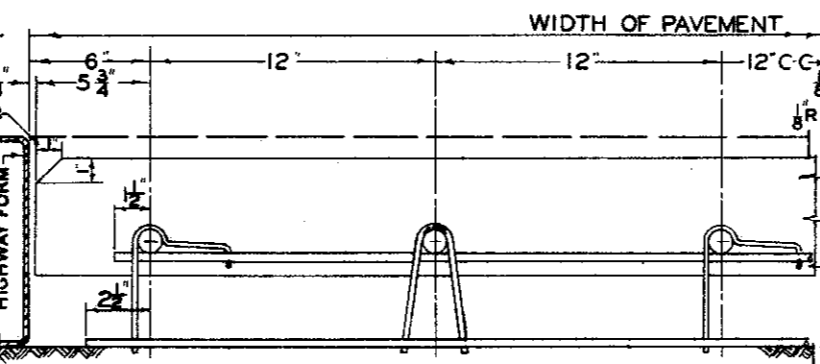
EXPANSION JOINT



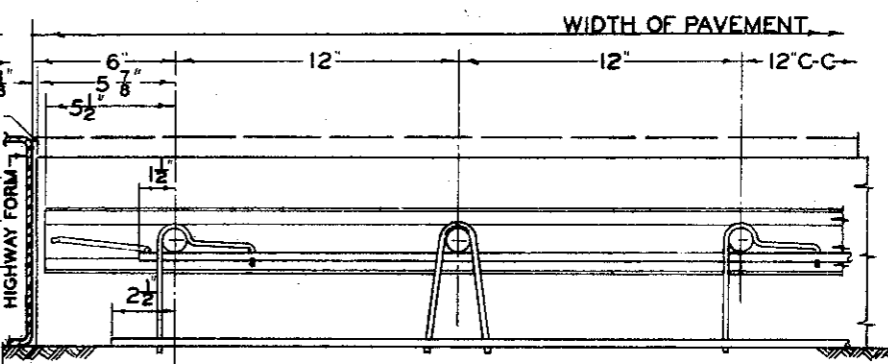
SECTION THRU JOINT



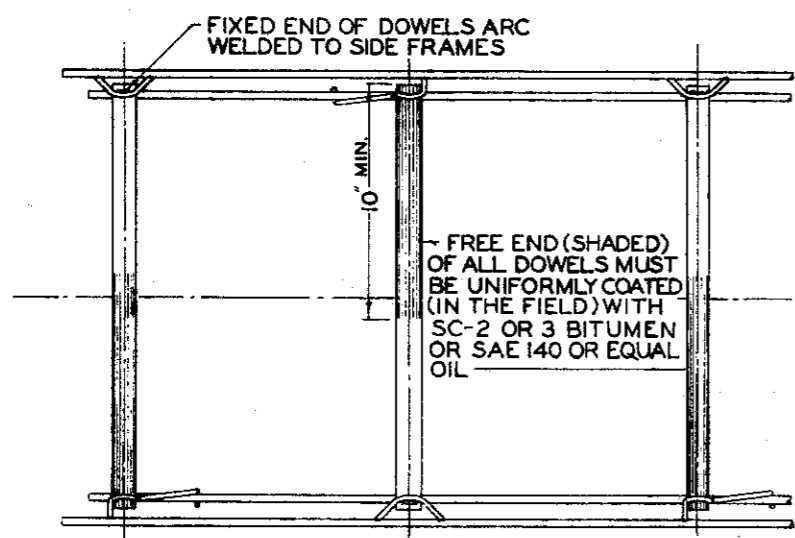
SIDE ELEVATION



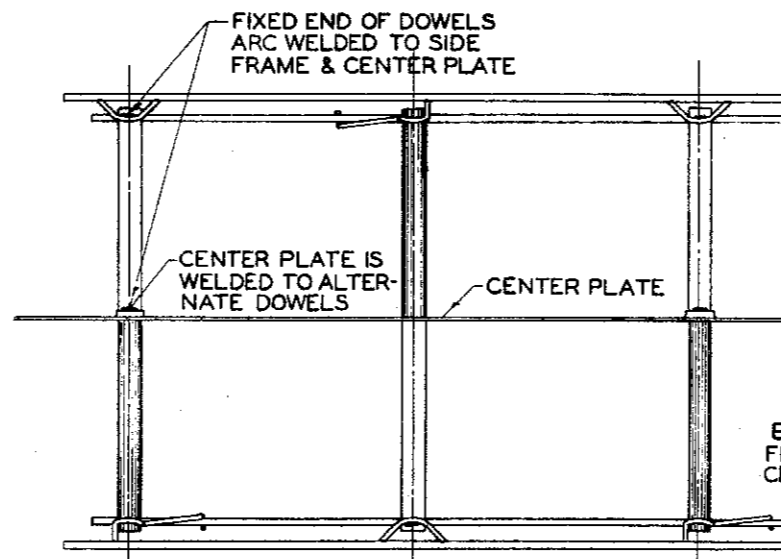
SIDE ELEVATION



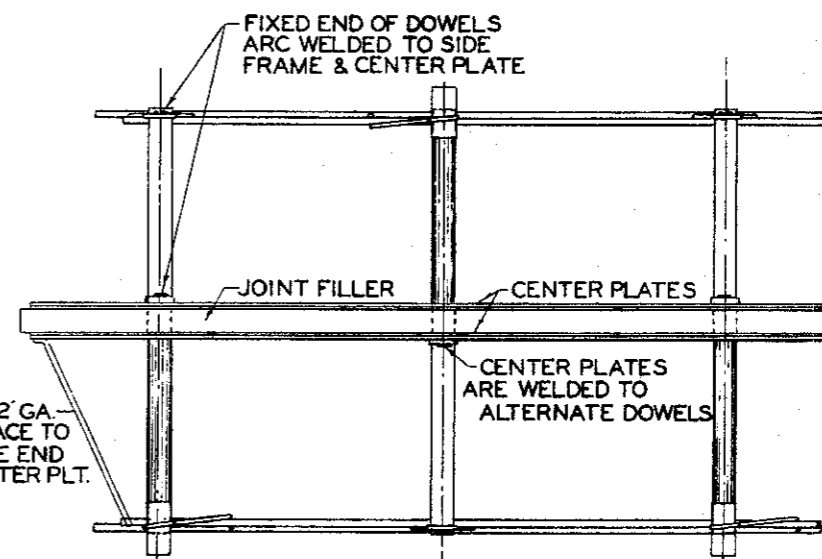
SIDE ELEVATION



PLAN



PLAN



PLAN

NOTES:-

This joint assembly shall meet the requirements of Standard Drawing "T.J."
 Expansion joint material shall be adequately staked to maintain it in a vertical position.
 Top of expansion joint material shall be protected by a metal cap during the placing and finishing of concrete pavement.

BUREAU OF LOCATION AND DESIGN
 OHIO DEPARTMENT OF HIGHWAYS

**PAVEMENT
 JOINT ASSEMBLY
 NO. 7**

DATE
 1-2-56
 9-12-60

APPROVED

[Signature]
 ENGINEER OF LOCATION & DESIGN