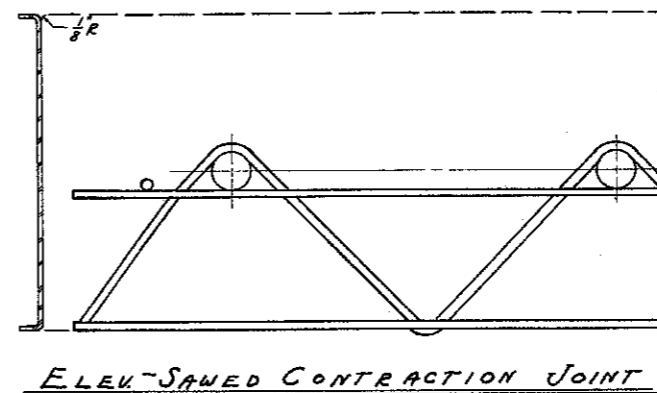
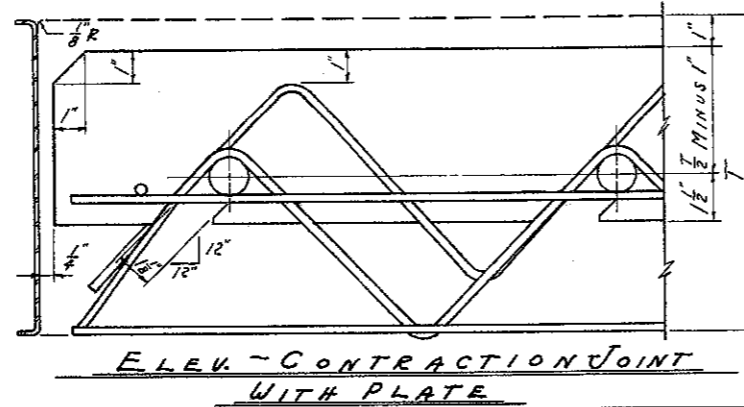
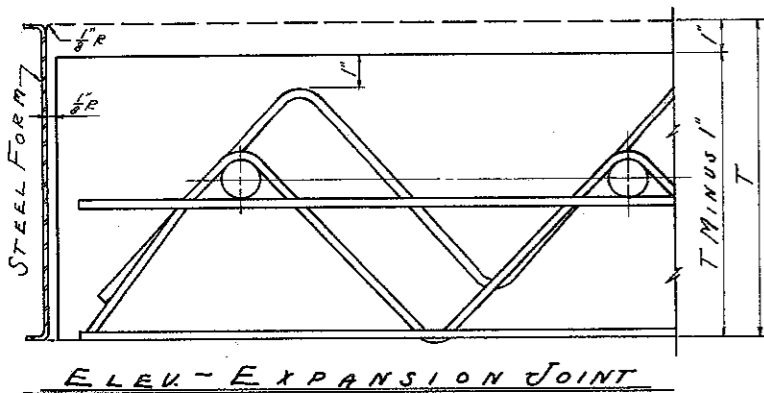
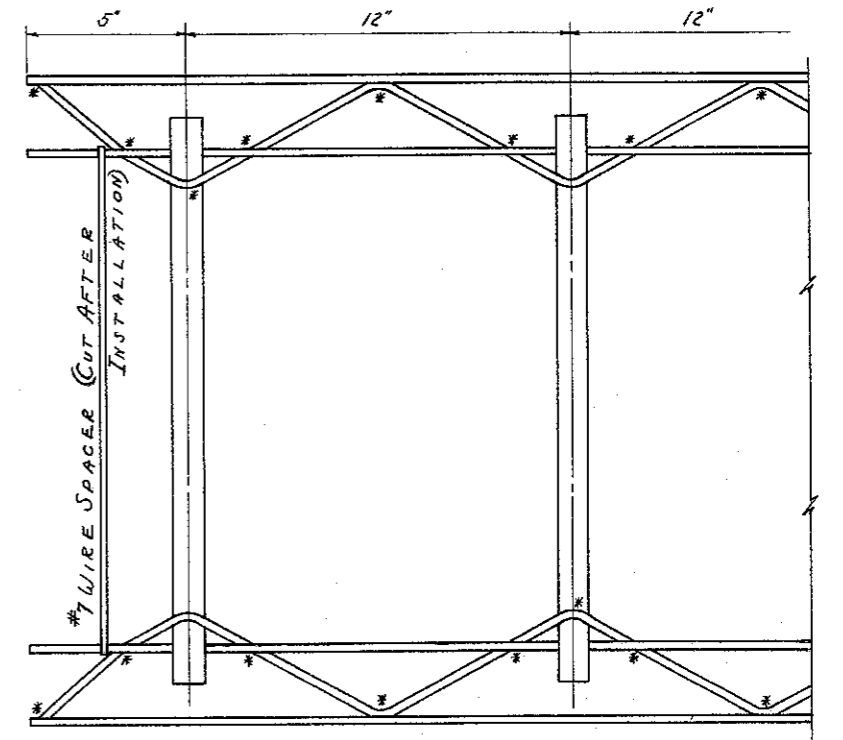
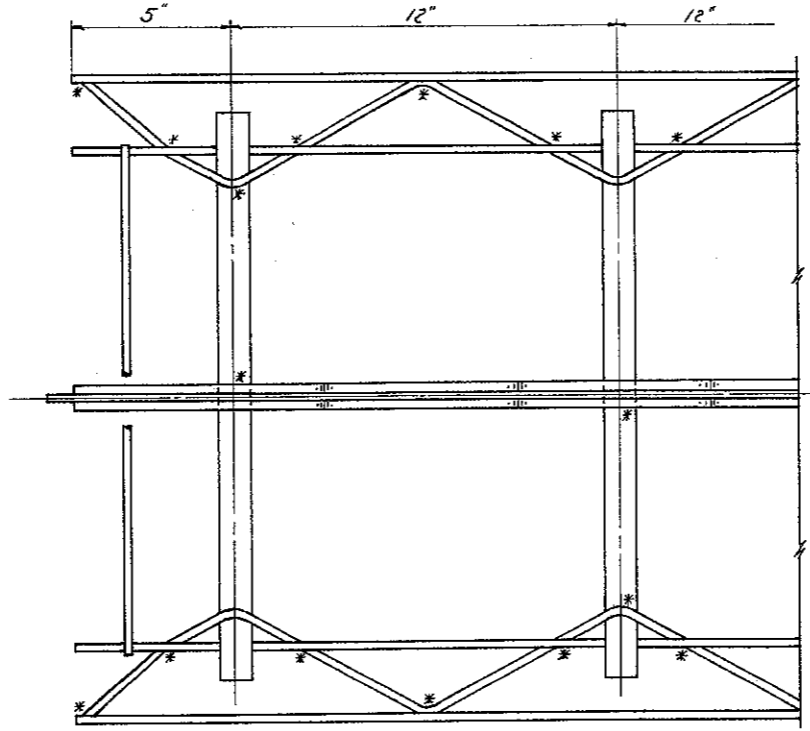
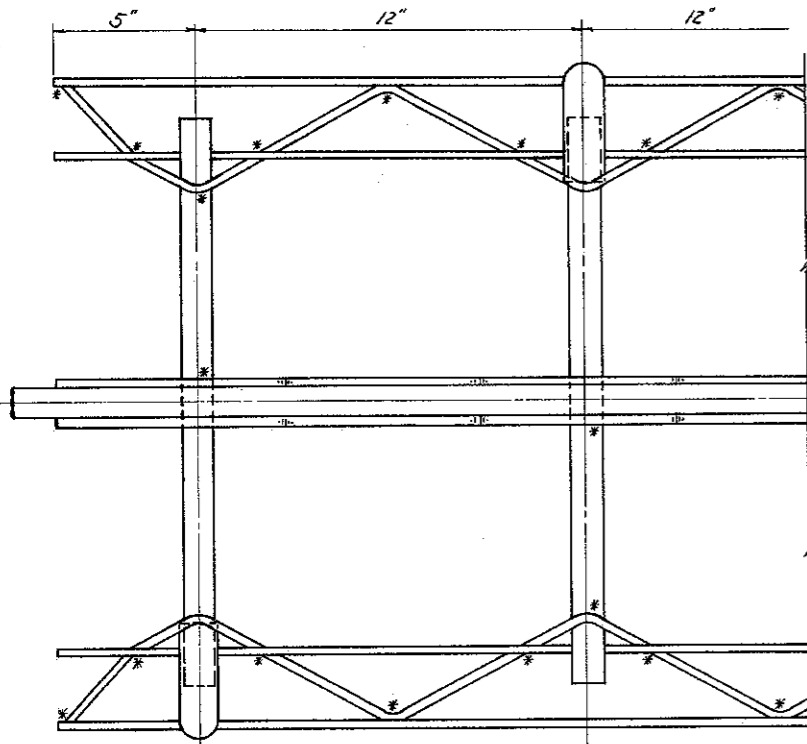
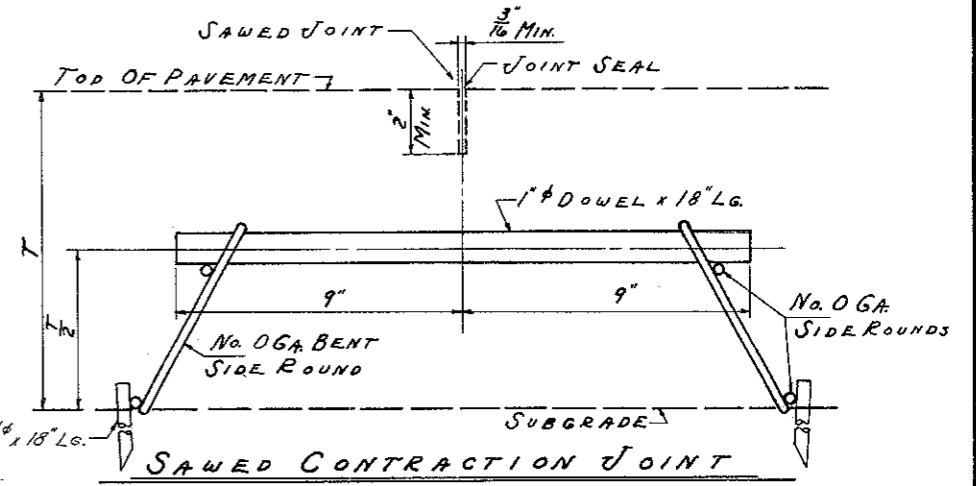
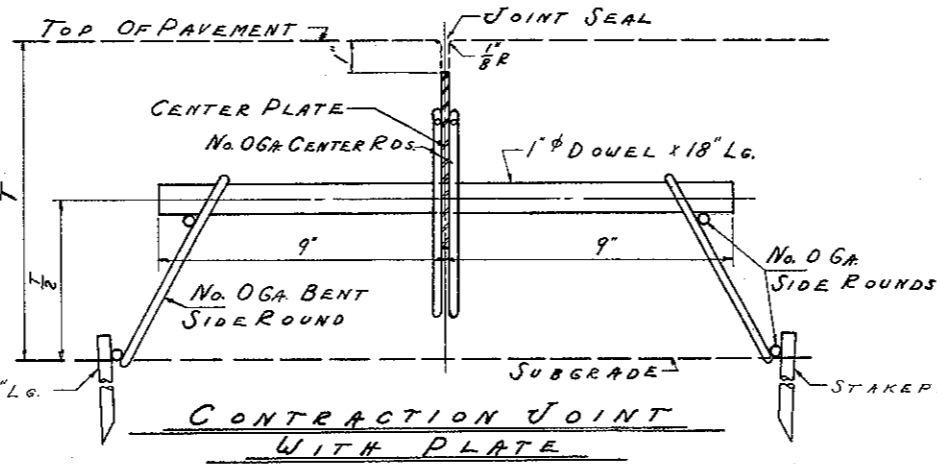
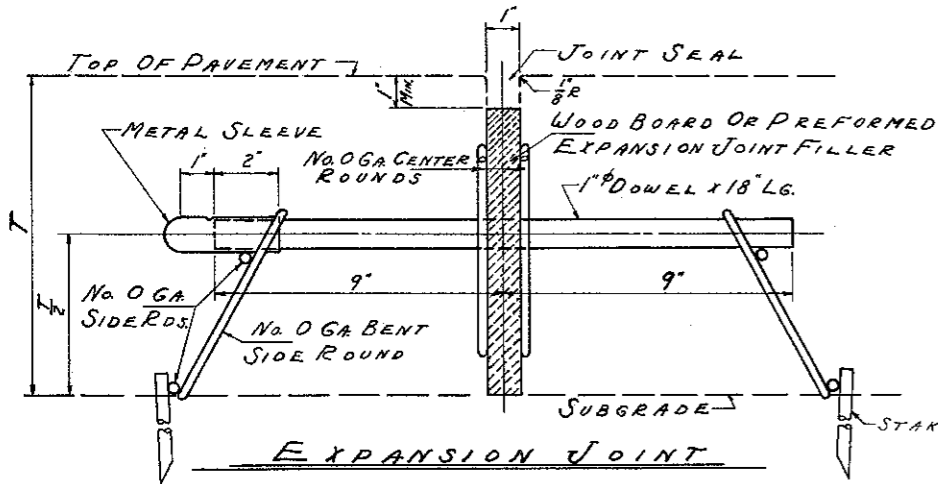


TRANSVERSE JOINTS



*NOTE:
ASTERISK DENOTES WELDS.

BUREAU OF LOCATION AND DESIGN
OHIO DEPARTMENT OF HIGHWAYS

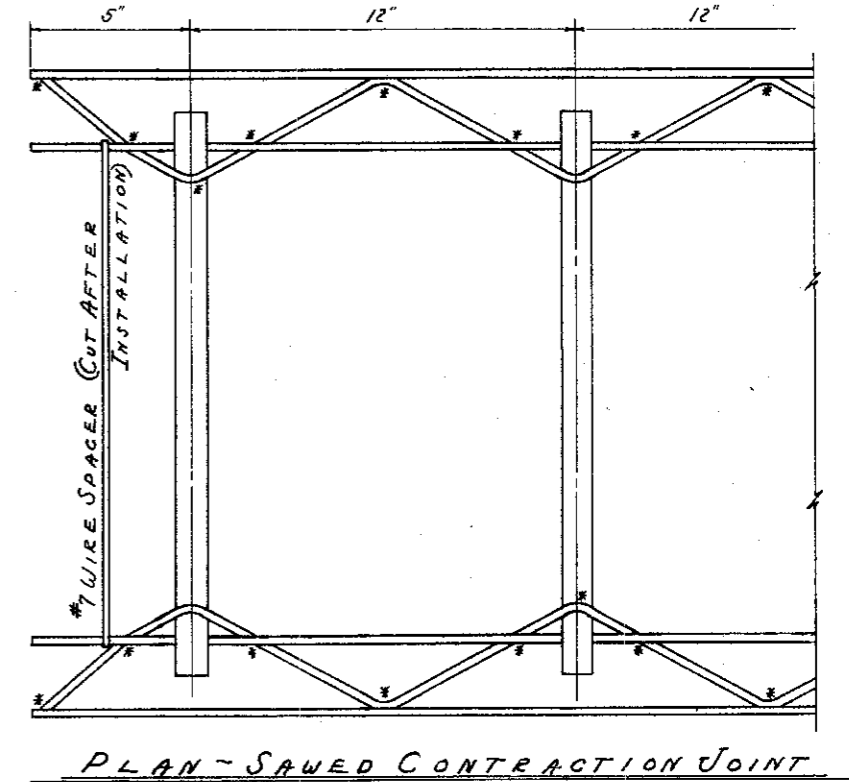
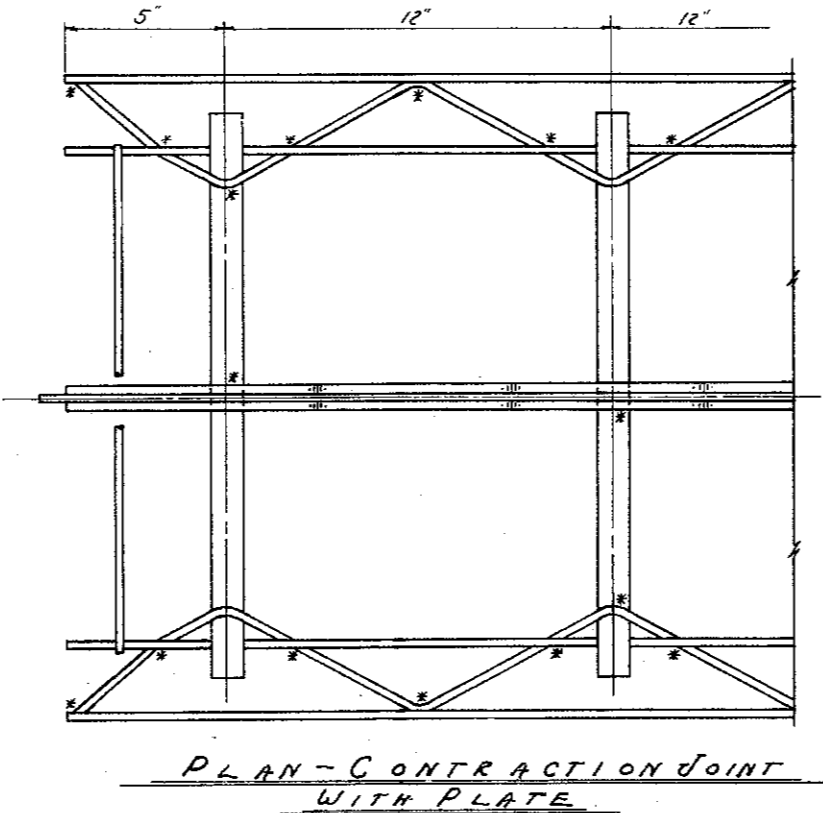
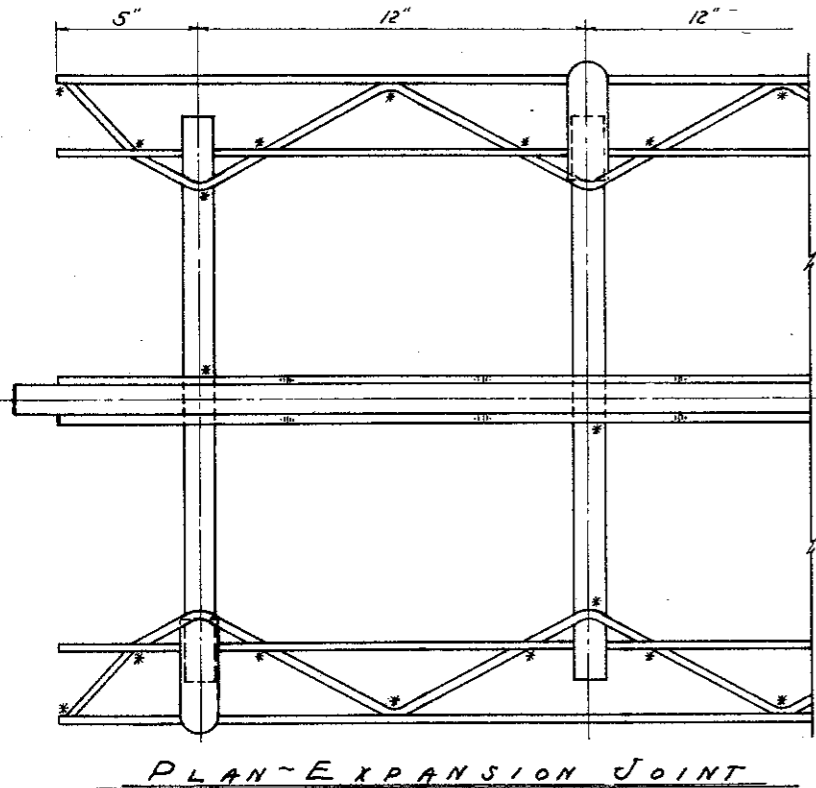
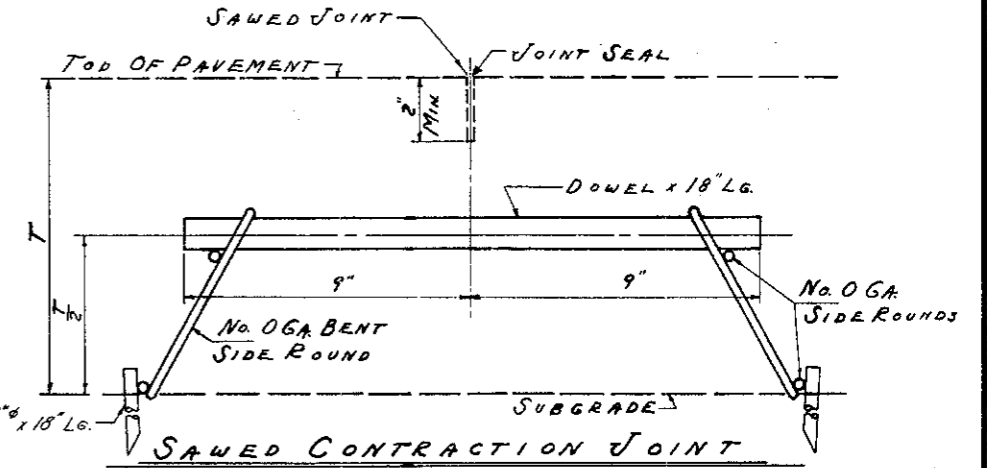
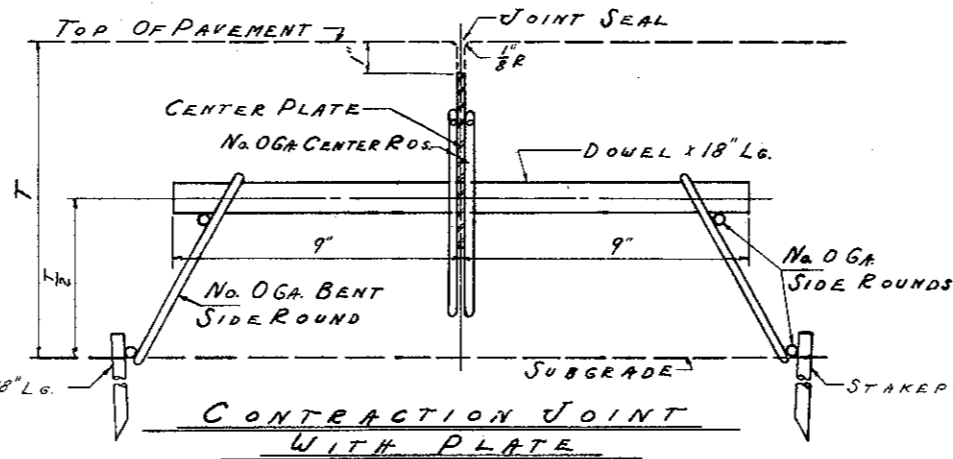
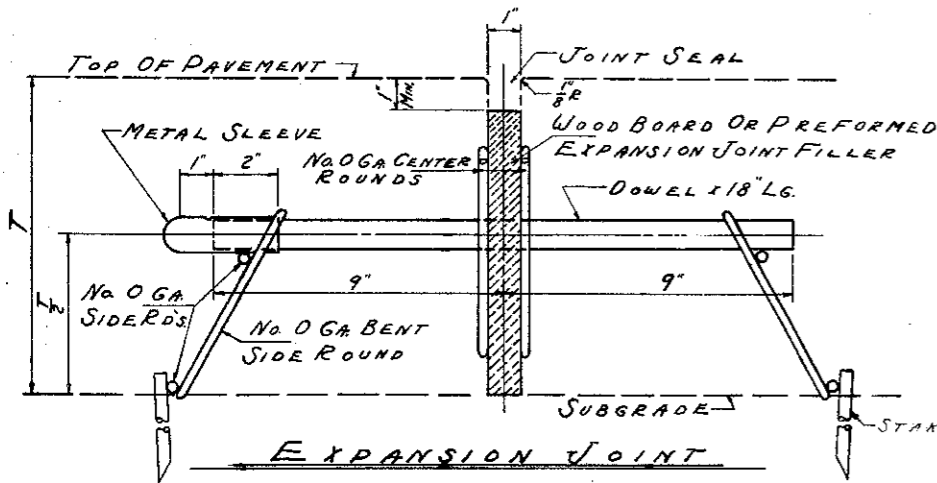
PAVEMENT
JOINT ASSEMBLY
NO. 8

DATE:
4-16-56

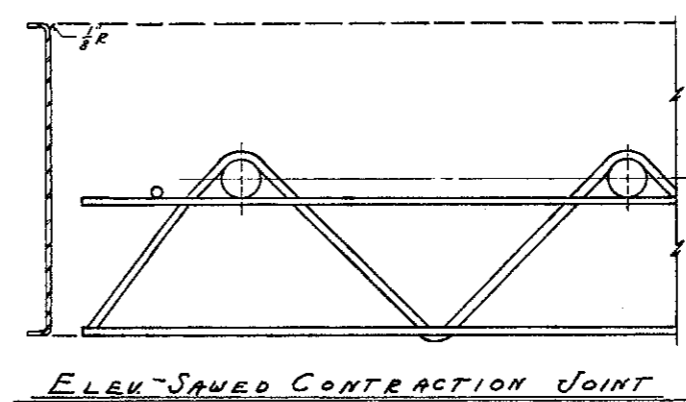
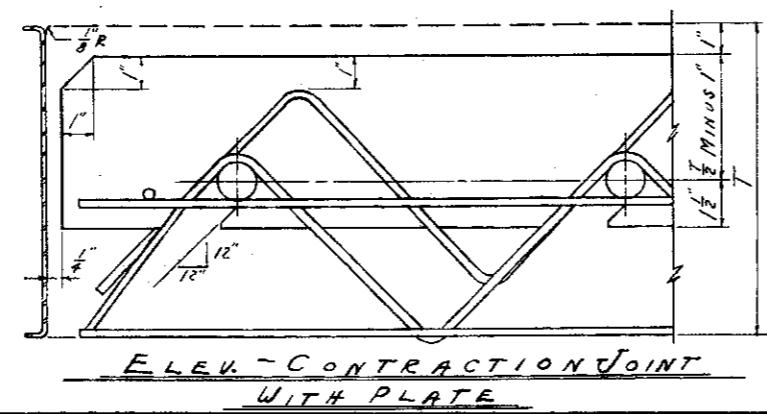
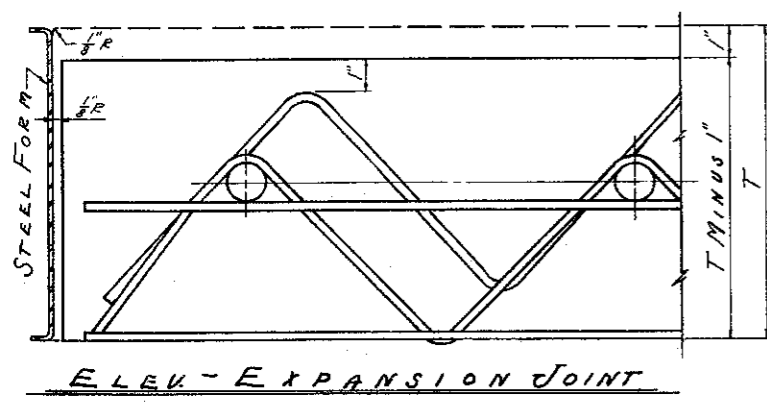
APPROVED
E. L. D.
ENGINEER L. & D.
DESIGN AND CONSTRUCTION

A. J. G.
DEPUTY DIRECTOR
DESIGN AND CONSTRUCTION

TRANSVERSE JOINTS



NOTES
 This joint assembly shall meet the requirements of Standard Drawing "J.D."
 Top of expansion joint material shall be protected by a metal cap during the placing and finishing of concrete pavement.



*NOTE: ASTERISK DENOTES WELDS.

BUREAU OF LOCATION AND DESIGN OHIO DEPARTMENT OF HIGHWAYS	
PAVEMENT JOINT ASSEMBLY No. 8	
DATE 4-16-56 9-12-60	
APPROVED <i>[Signature]</i> ENGINEER OF LOCATION & DESIGN	