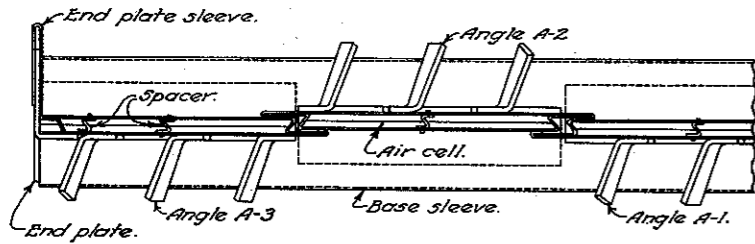
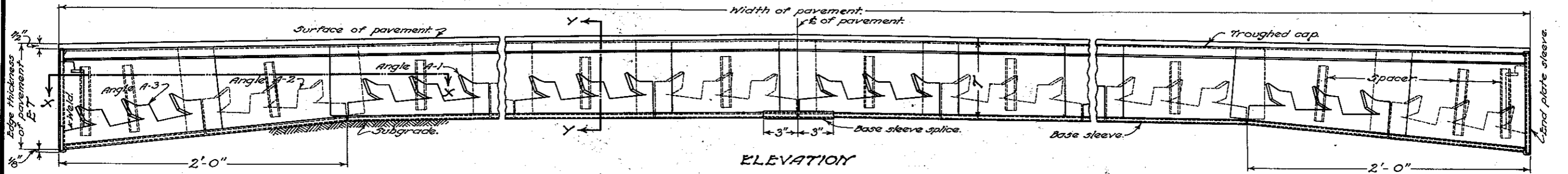
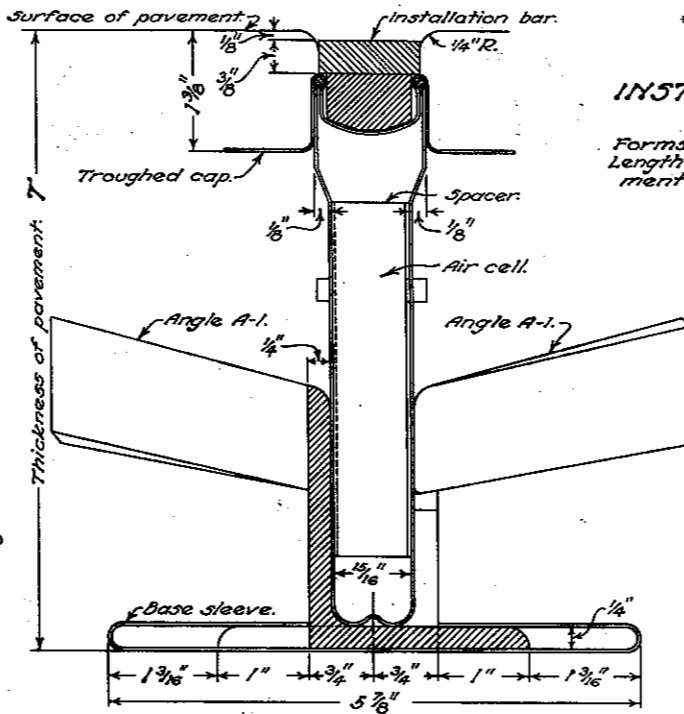


AIR EXPANSION JOINT

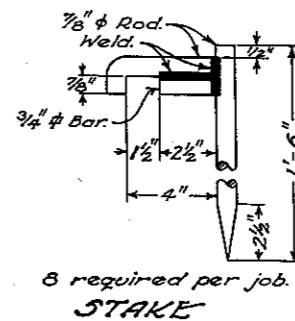
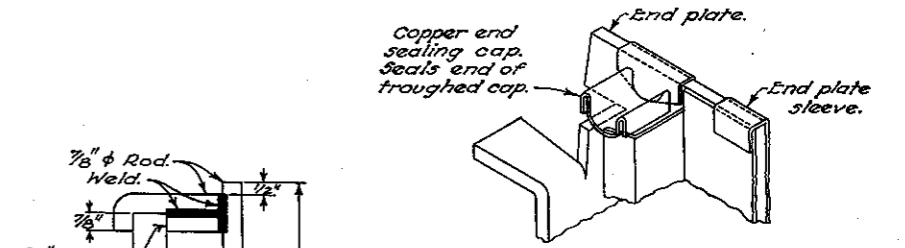
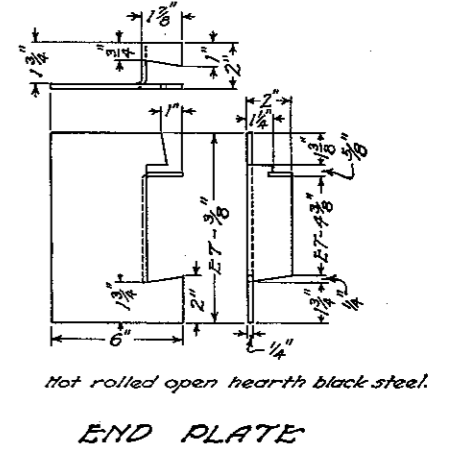
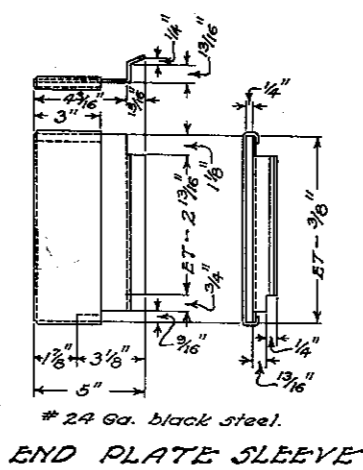
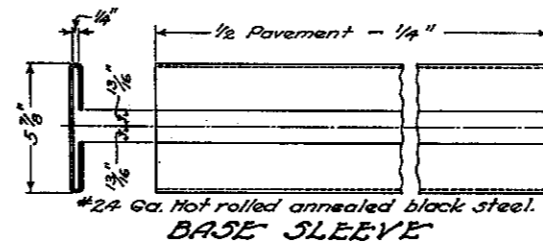
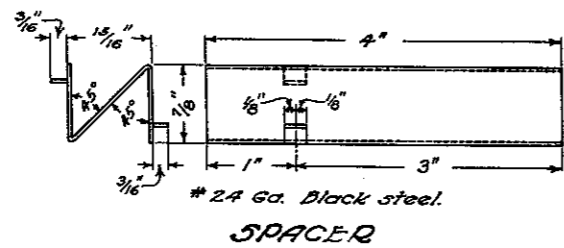
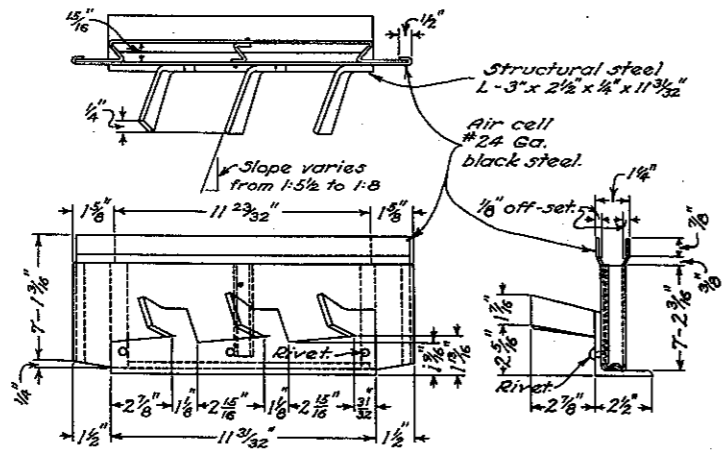
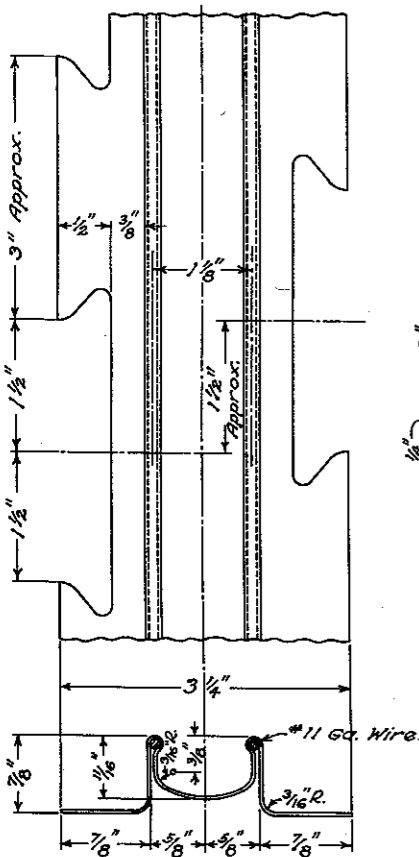


NOTE:— Installation bar to be removed after pavement has been straight edged and floated. Groove to be filled with asphalt filler as per specifications.

NOTE:— Air cells are bent and cut in accordance with shape of section of pavement.



INSTALLATION BAR
Forms required crown. Length = width of pavement - 1".



BUREAU OF CONSTRUCTION
OHIO
DEPARTMENT OF HIGHWAYS

**AIR
EXPANSION
JOINT**

STANDARD CONSTRUCTION DRAWING
T-70-71 AEJ
TYPE A

APPROVED *E.H.* CHIEF ENGR. CONST.

DEC. 1934