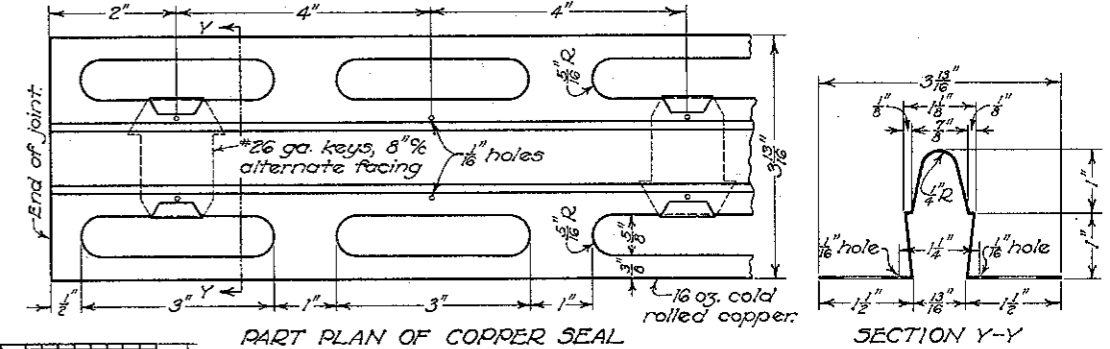
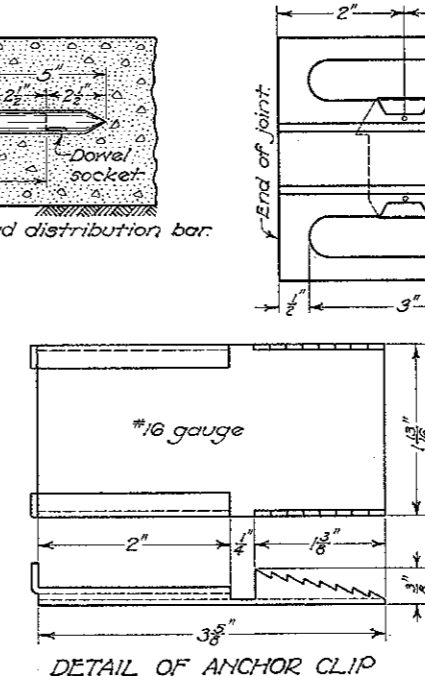
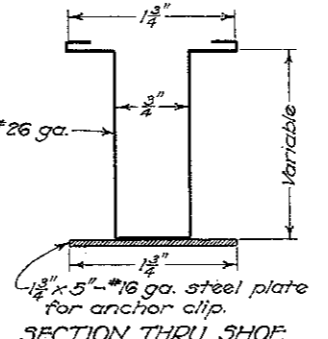
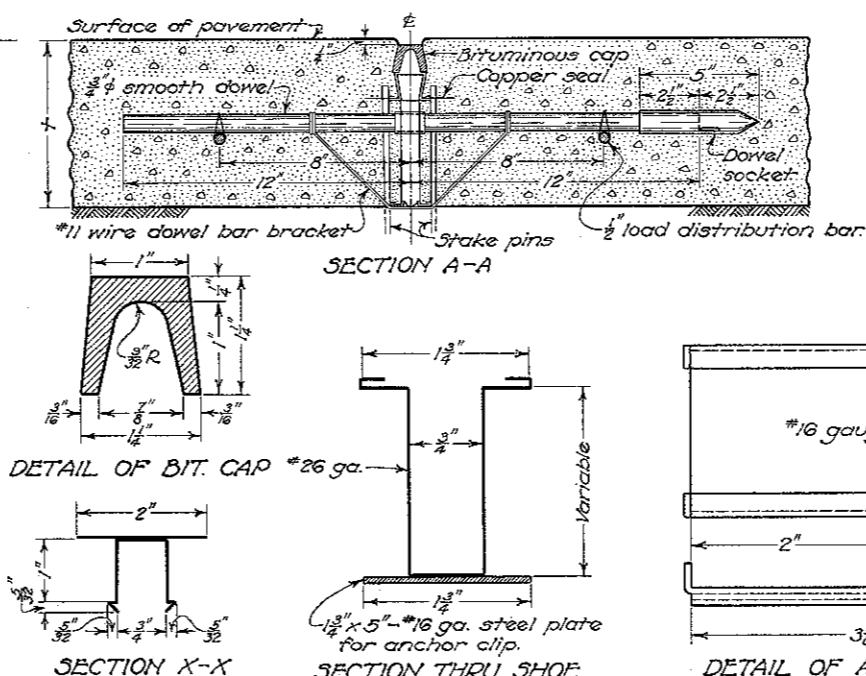
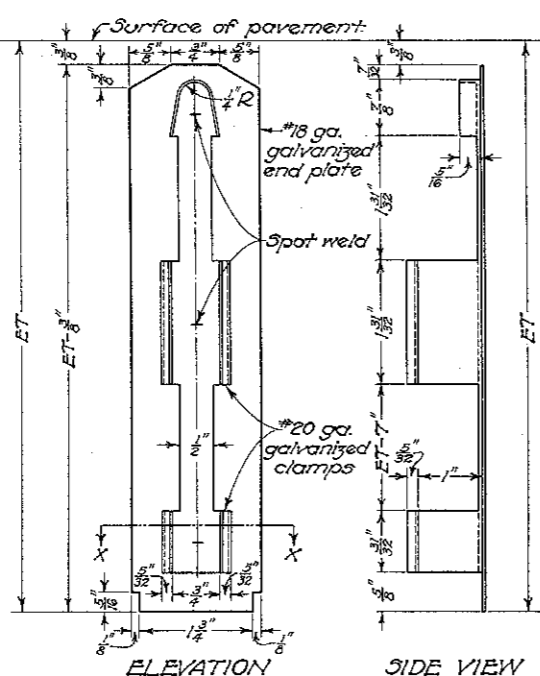
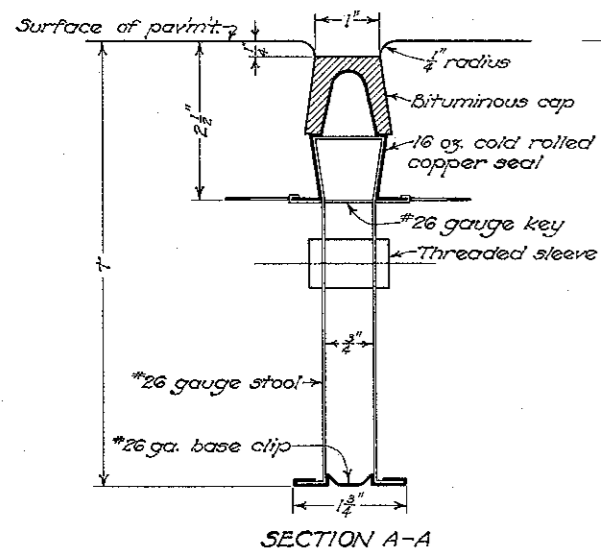
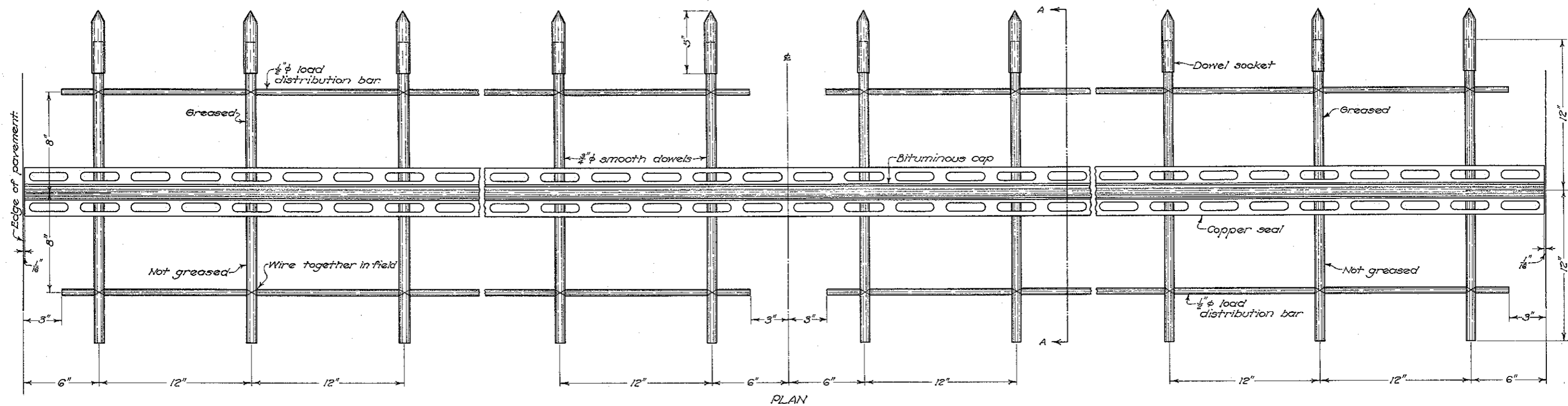
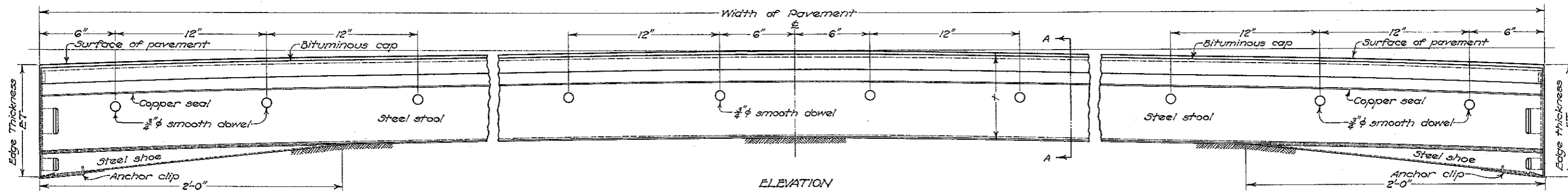


AIR EXPANSION JOINT



BUREAU OF LOCATION & DESIGN
OHIO
DEPARTMENT OF HIGHWAYS
AIR EXPANSION JOINT
STANDARD CONSTRUCTION DRAWING
T-70-71 AEJ
TYPE C
APPROVED _____ CHIEF ENGINEER
DEC. 1934