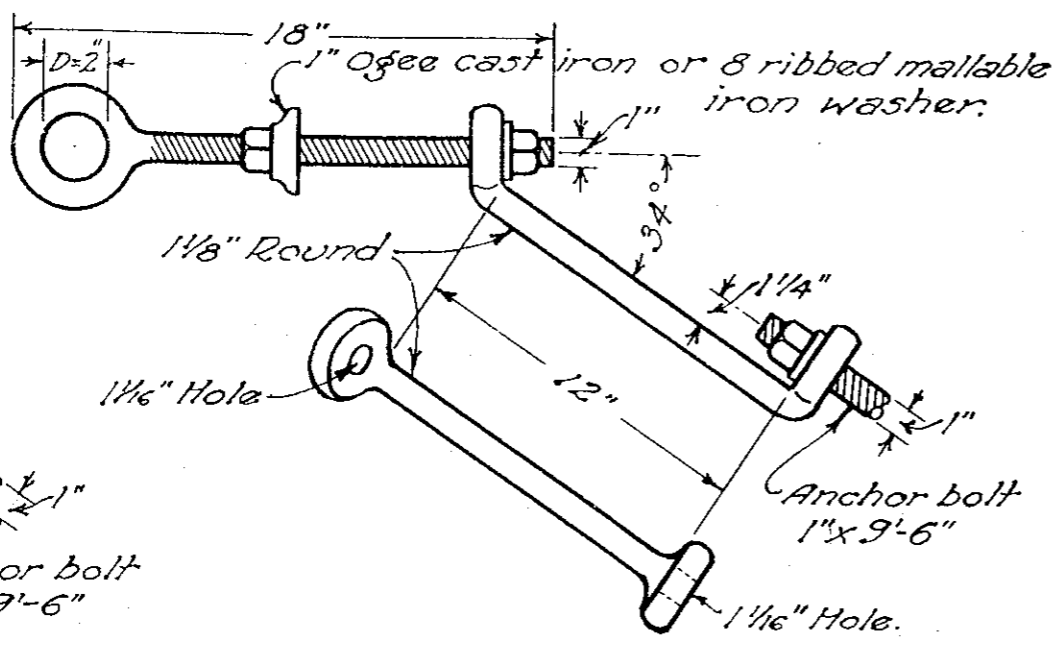
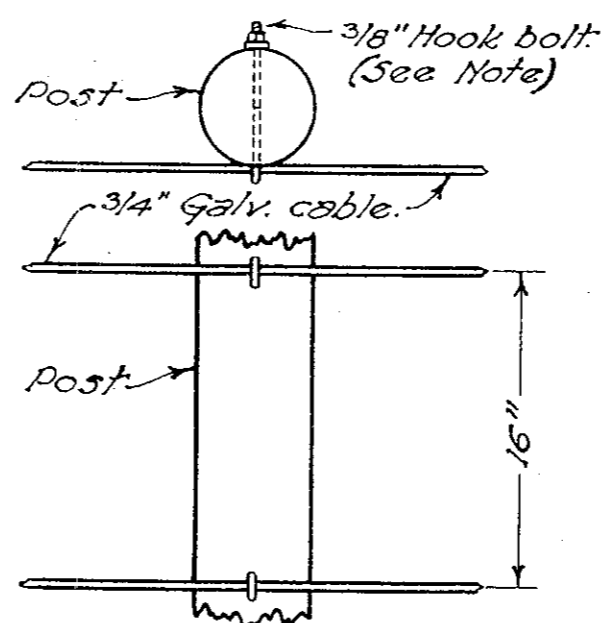


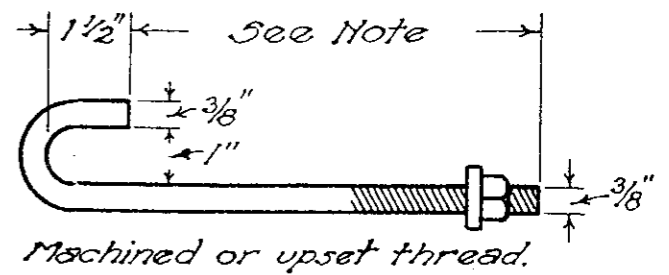
FITTING



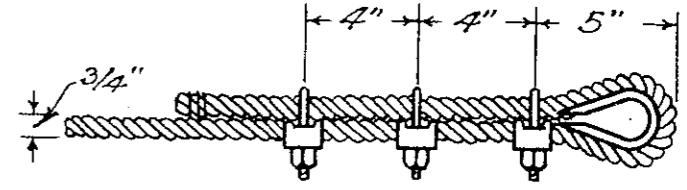
TYPE D-4 FITTING



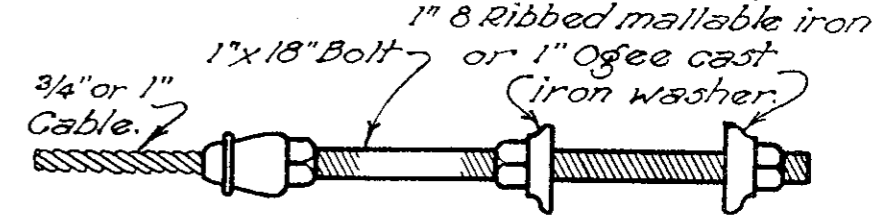
POST & CABLE CONNECTION



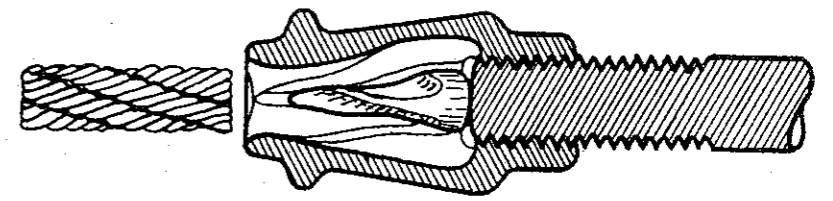
DETAIL OF HOOK BOLT



DETAIL OF CABLE JOINT "A"



CABLE JOINT "B"



DETAIL OF CABLE JOINT "B"

All exposed surfaces, not galvanized, to have 3 coats of white lead and linseed oil paint. All surfaces in contact, not galvanized, shall receive one coat of the above paint before construction.

All iron and steel, except cast iron washers, to be galvanized in conformity to specifications.

Round posts to be treated as per specifications and shall be 6" minimum diameter and 9" maximum bottom diameter except white cedar which shall be 6 3/4" minimum diameter.

If square posts are used they shall be full 6"x6" and of white oak or chestnut and shall be painted as per specifications, Item I-7.

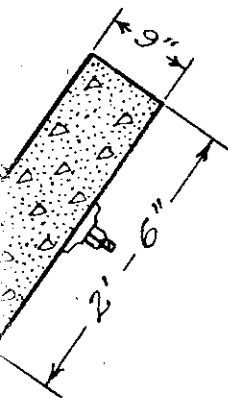
Splicing cable will not be permitted.

In order to secure proper alignment bolt holes shall be bored and tops of posts trimmed after posts are set.

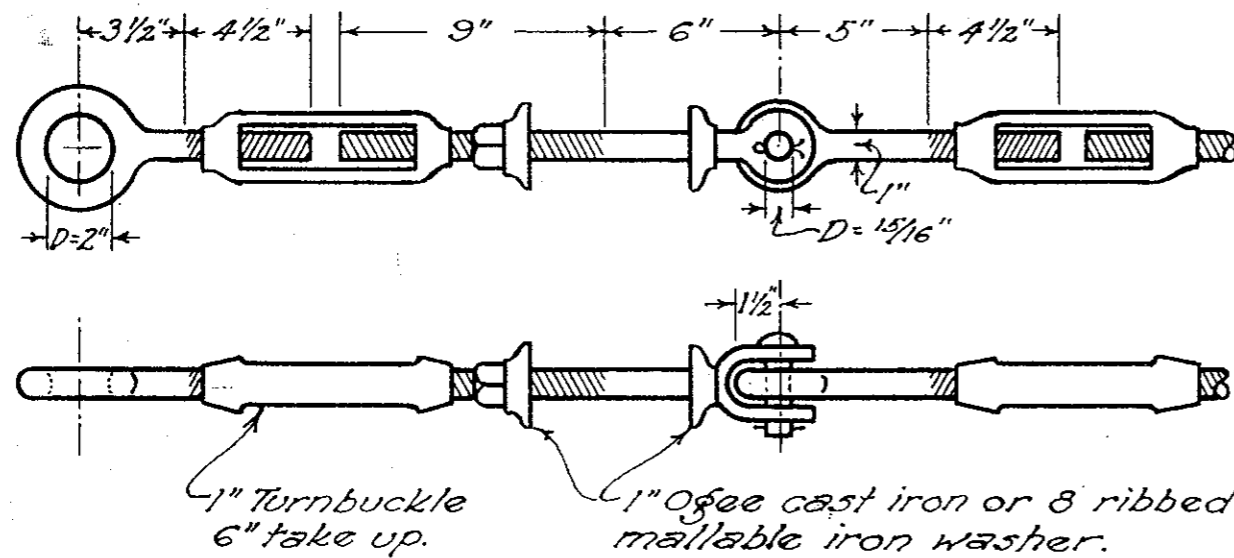
Length of hook bolts to be determined by size of posts.

Cable Joint "A" (including cable, eye bolt, thimble and clips) and Cable Joint "B" are optional with the contractor.

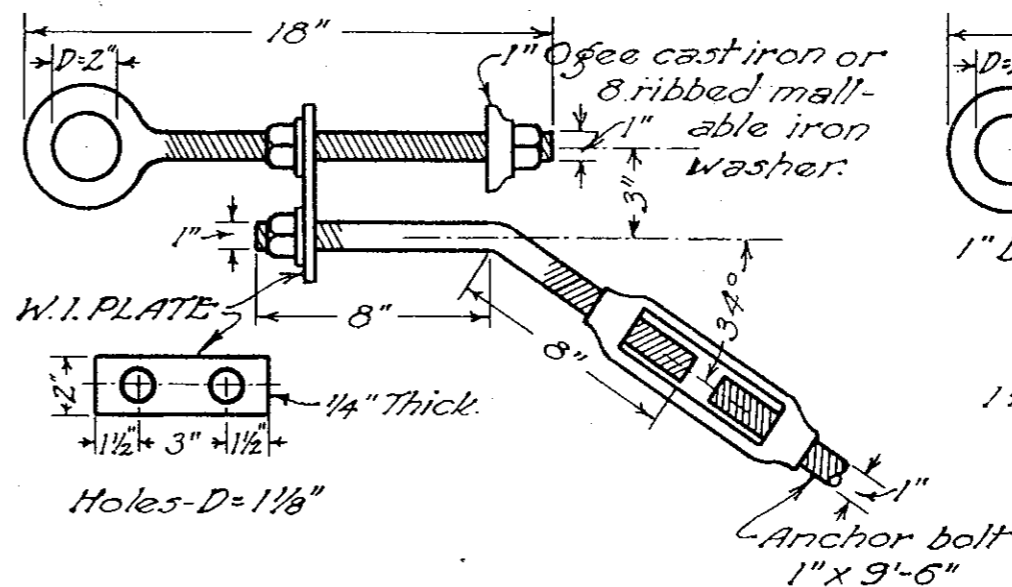
2'-6" x 9" 6 1/2 mix two posts.



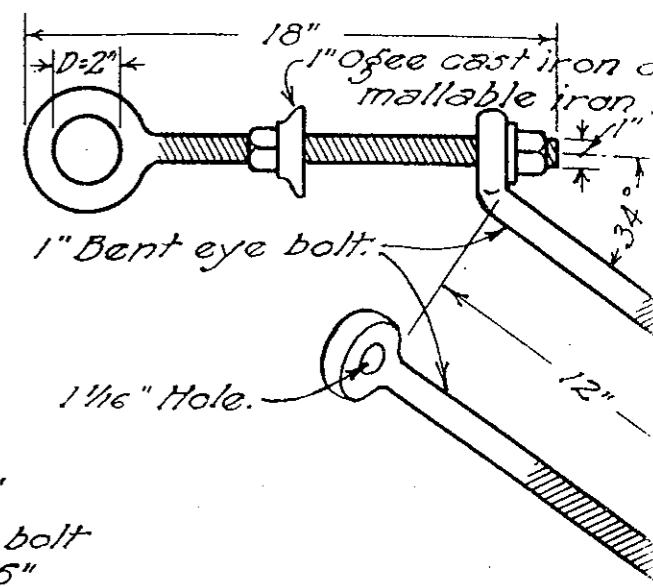
BUREAU OF CONSTRUCTION OHIO DEPARTMENT OF HIGHWAYS				REVISED 1-29-32
<b>TYPE C1 C2 C3 C4</b>				
<b>GUARD RAIL</b>				
STANDARD CONSTRUCTION DRAWING <b>104</b>				
APRIL 15, 1931				
APPROVED <i>E. J. [Signature]</i> CHIEF ENGR. CONST.				



TYPE D-1 FITTING



TYPE D-2 FITTING



TYPE D-3 FITTING

