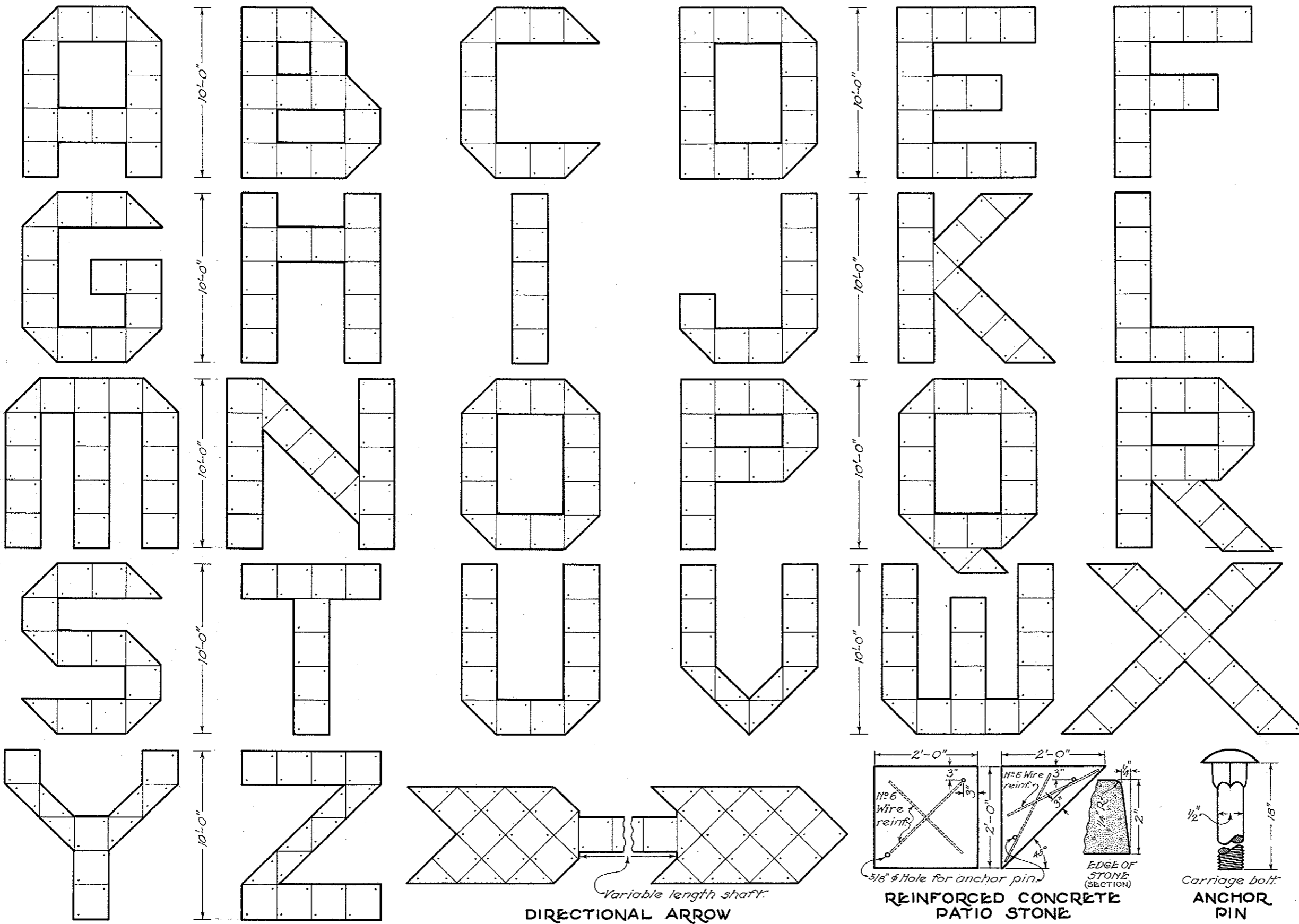


AERONAUTICAL DIRECTIONAL ALPHABET



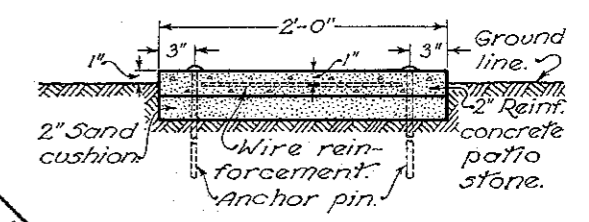
NOTES

Portland cement concrete shall meet the requirements of Ohio Department of Highways Construction and Material Specifications for Item 5-1 class C concrete for materials, proportions, mixing and curing except that white portland cement and size 6 coarse aggregate shall be used.

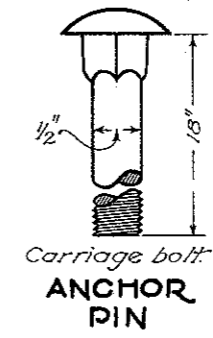
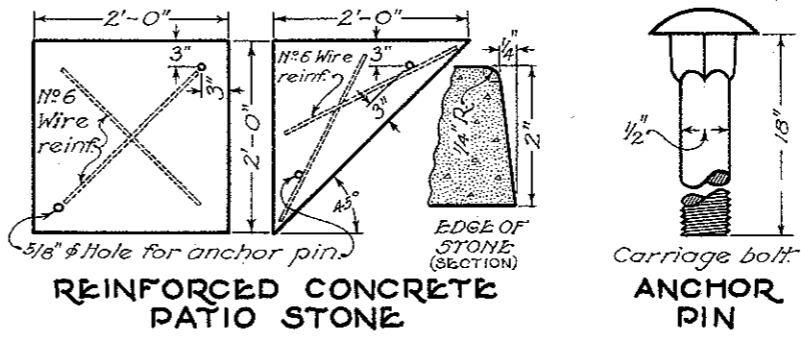
Steel reinforcement shall be No. 6 wire or equivalent meeting requirements of Section M-7.15.

ALPHABET	LET-TER	□	△	PINS	LET-TER	□	△	PINS
	A	12	2	28	N	13	2	30
B	12	3	30	O	10	4	28	
C	7	4	22	P	10	2	24	
D	12	2	28	Q	10	6	32	
E	13		26	R	12	4	32	
F	10		20	S	8	6	28	
G	10	4	28	T	8		16	
H	12		24	U	10	2	24	
I	5		10	V	6	6	24	
J	7	2	18	W	14	2	32	
K	10	3	26	X	11	4	30	
L	8		16	Y	5	6	22	
M	15	2	34	Z	8	6	28	
DIRECTIONAL ARROW		HEAD	9	7	32			
		TAIL	8	7	30			

SHAFT OF ARROW VARIABLE NUMBER OF SQUARES



METHOD OF INSTALLATION



BUREAU OF LOCATION AND DESIGN
OHIO DEPARTMENT OF HIGHWAYS

AERONAUTICAL DIRECTIONAL ALPHABET

DATE 6-1-60

STANDARD CONSTRUCTION DRAWING

A. D. A. NO. 1

APPROVED *[Signature]* ENGR. L. & D.

DIRECTIONAL ARROW

REINFORCED CONCRETE PATIO STONE

ANCHOR PIN