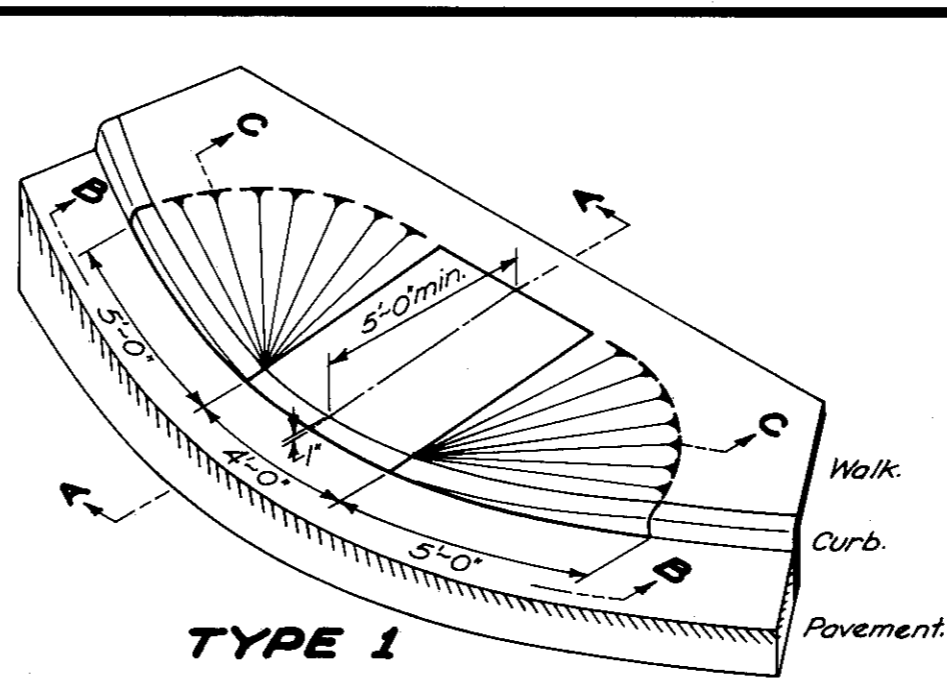
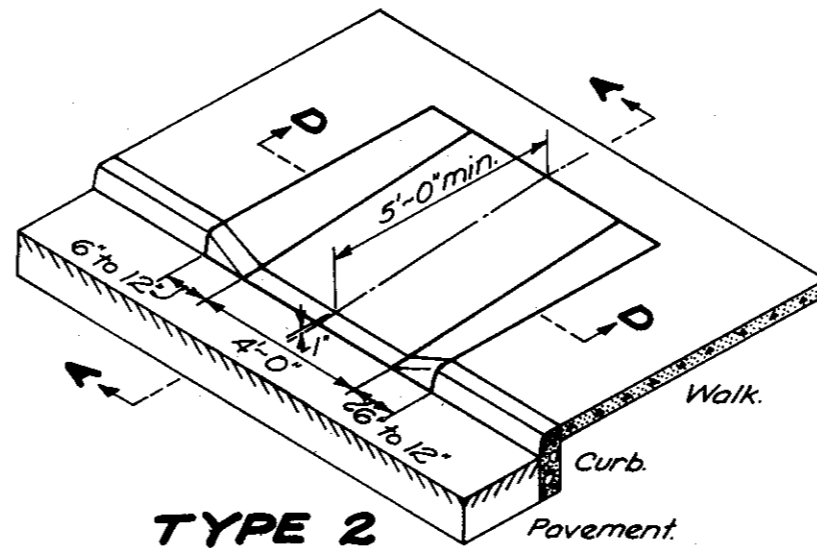


TYPICAL RAMP LOCATIONS



TYPE 1



TYPE 2

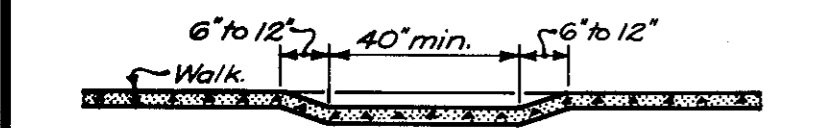
NOTES
PAYMENT: Walk and curb, items 608 and 609, shall be measured through the curb ramp area and paid for under their respective items. Item "608, each, Curb ramp" constructed in new curb and walk shall include the cost of any additional materials, grading, forming and finishing. Item "608, square foot, Curb ramp", constructed in existing curb and walk shall include the total cost of furnishing all materials and constructing the curb and walk of the curb ramp. Removal of existing curb and walk shall be paid for as 202 items.

SURFACE TEXTURE shall be obtained by coarse brooming transverse to the ramp slopes and shall be rougher than adjacent walk.

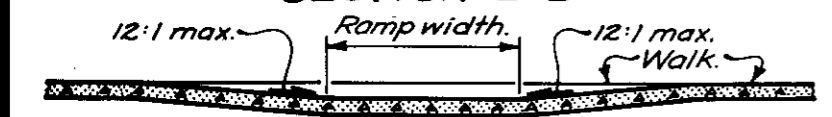
JOINTS shall be provided in the curb ramp as extensions of walk joints and consistent with 608.03 requirements for new concrete walk. A 1/2" 705.03 expansion joint filler shall be provided around the edge of ramps built in existing concrete walk. Lines shown on this drawing to indicate the ramp edge and slope changes are not necessarily joint lines.

DIMENSIONS, LOCATION AND TYPE of curb ramp may be modified as directed by the engineer in accordance with the following:

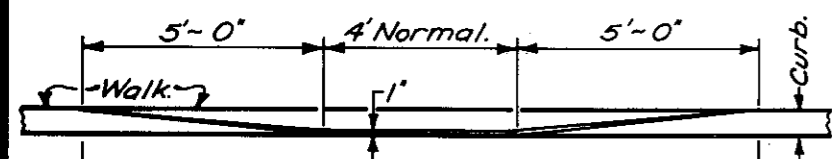
TYPE of curb ramp built shall be the type that best fits the location unless a specific type is specified. Type 1 is preferred because of the flatter side slopes. Any combination of Type 1 and 2 side slopes on opposite sides of a ramp may be used to best fit the site conditions. **SLOPE** of the ramp toward the curb is preferred to be 12:1 or flatter related to the horizontal but the maximum slope shall be 12:1 related to the existing or proposed walk slope. The minimum ramp length is 5' from the back of a 6" curb and may be increased where feasible to obtain a flatter ramp slope or to better blend with the walk configuration. **WIDTH** of ramp shall normally be 4' but a minimum width of 40" may be used to better fit the walk configuration or where site conditions are restricted by narrow walks, pole foundations, drainage inlets, etc. The width may be tapered. **WALK THICKNESS** in the ramp slopes shall be 4" minimum or thicker as necessary to match adjacent walk thickness.



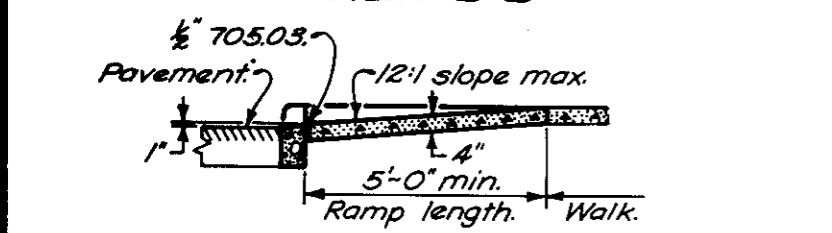
SECTION D-D



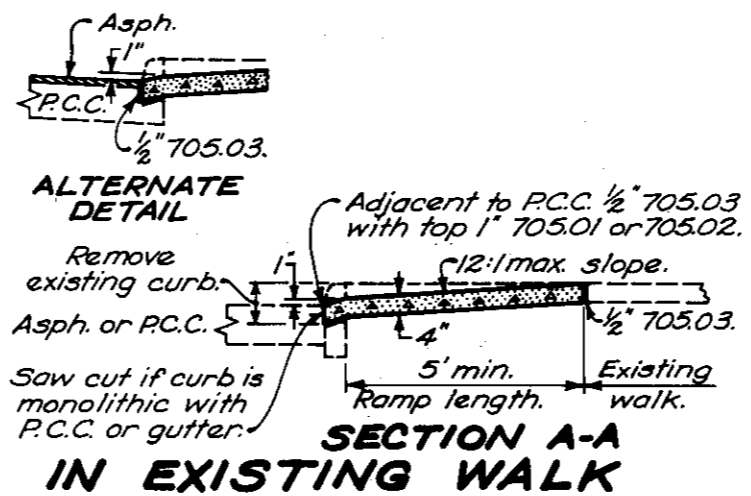
SECTION C-C



VIEW B-B

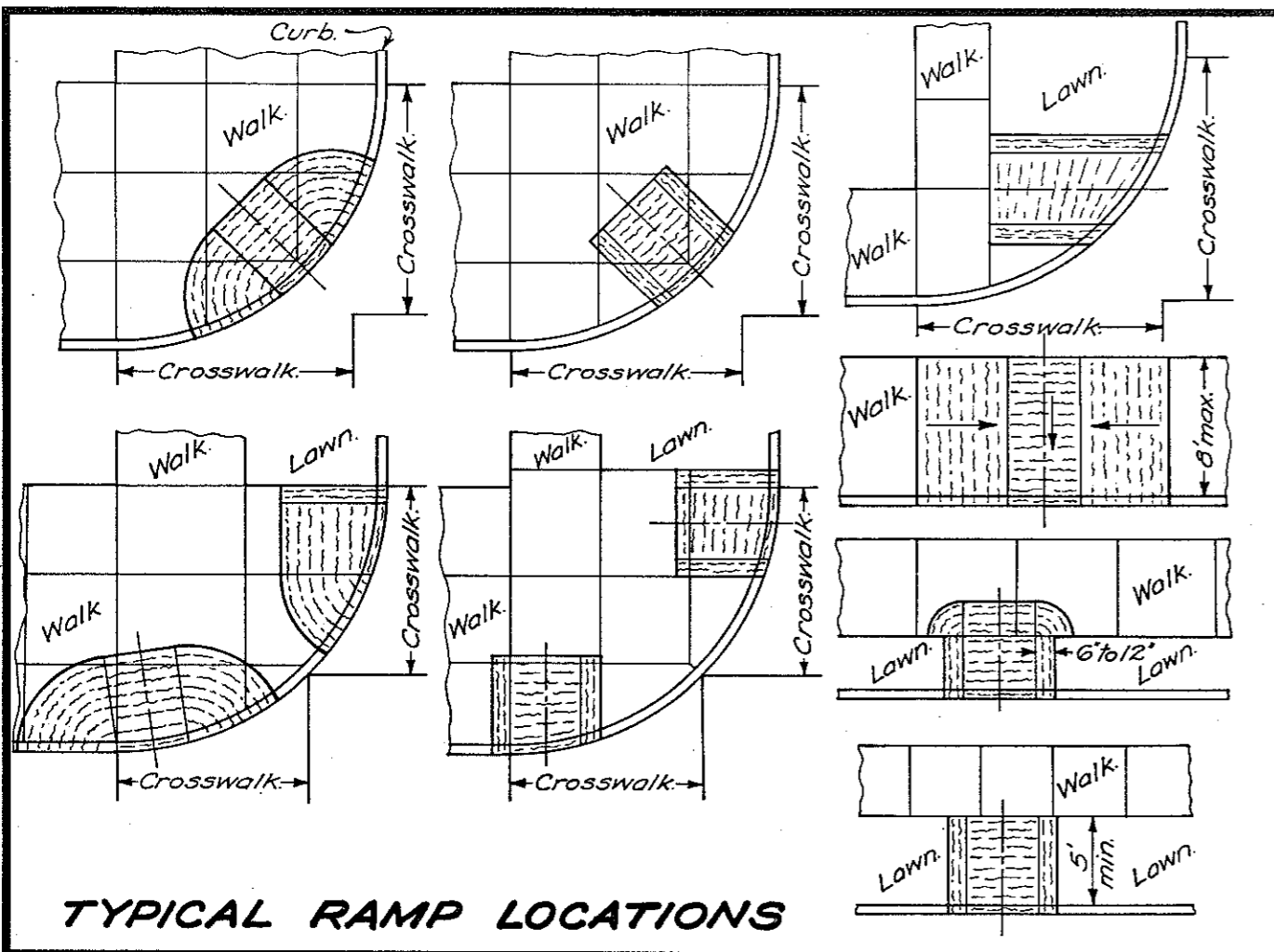


SECTION A-A

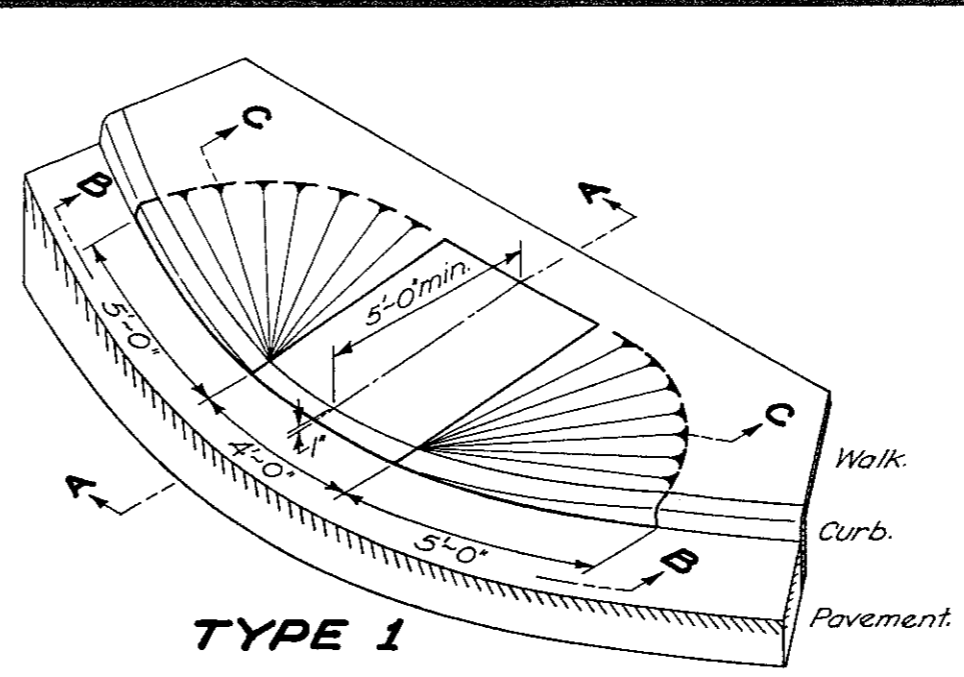
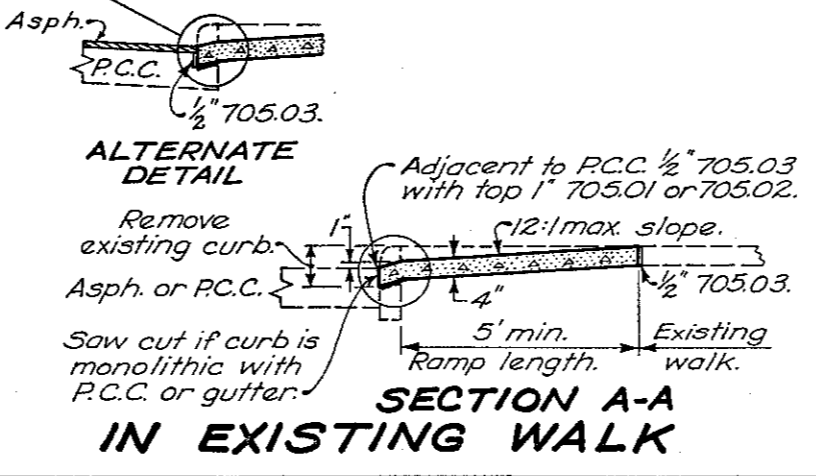
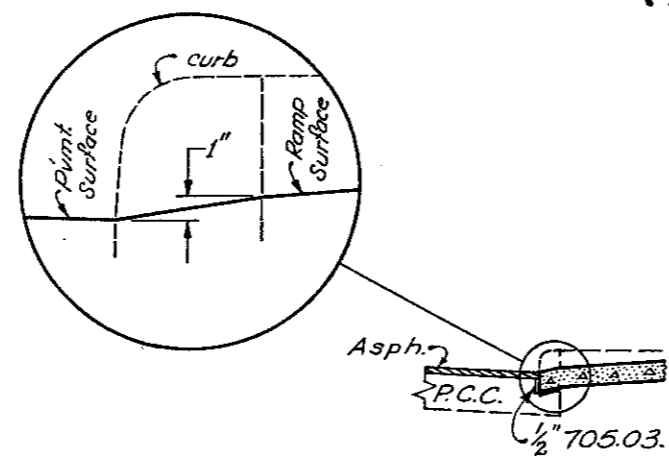
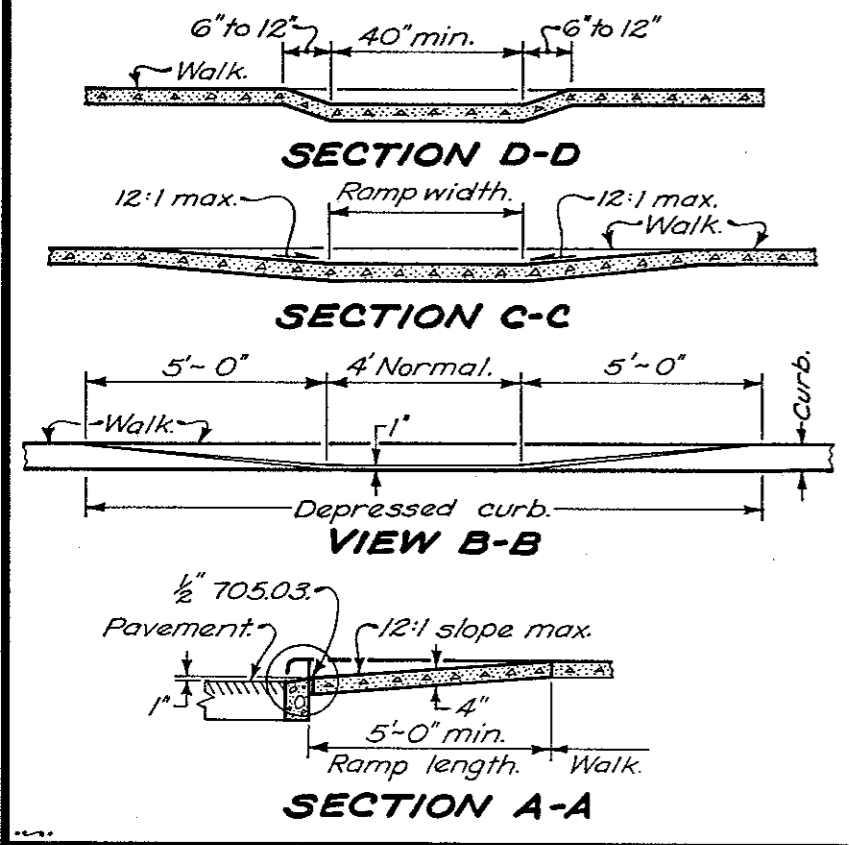


ALTERNATE DETAIL
SECTION A-A IN EXISTING WALK

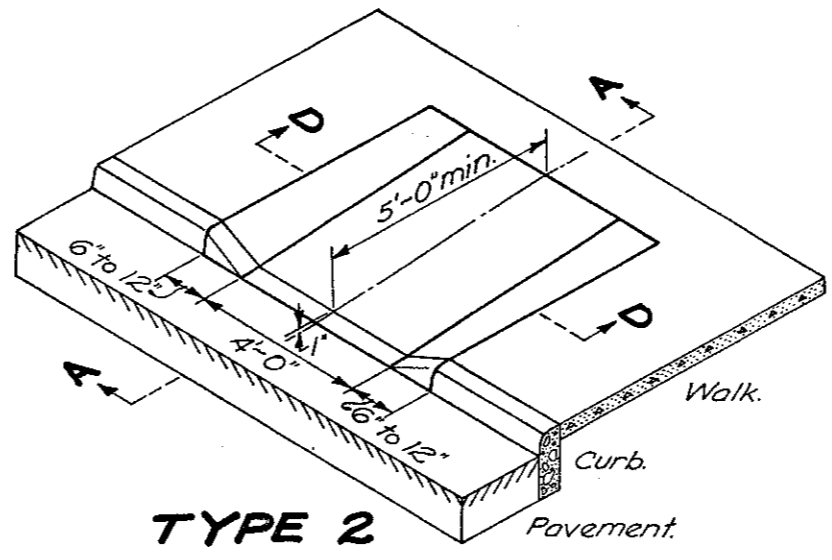
BUREAU OF ROADWAY DESIGN
 OHIO DEPARTMENT OF TRANSPORTATION
 DATE 8-11-78
CURB RAMPS
 STANDARD CONSTRUCTION DRAWING BP-12
 APPROVED: [Signature] ENGR., R.D.



TYPICAL RAMP LOCATIONS



TYPE 1



TYPE 2

NOTES

PAYMENT: Walk and curb, items 608 and 609, shall be measured through the curb ramp area and paid for under their respective items. Item "608, each, Curb ramp" constructed in new curb and walk shall include the cost of any additional materials, grading, forming and finishing. Item "608, square foot, Curb ramp", constructed in existing curb and walk shall include the total cost of furnishing all materials and constructing the curb and walk of the curb ramp. Removal of existing curb and walk shall be paid for as 202 items.

SURFACE TEXTURE shall be obtained by coarse brooming transverse to the ramp slopes and shall be rougher than adjacent walk.

JOINTS shall be provided in the curb ramp as extensions of walk joints and consistent with 608.03 requirements for new concrete walk. A 1/2" 705.03 expansion joint filler shall be provided around the edge of ramps built in existing concrete walk. Lines shown on this drawing to indicate the ramp edge and slope lines are not necessarily joint lines.

DIMENSIONS, LOCATION AND TYPE of curb ramp may be modified as directed by the engineer in accordance with the following:

TYPE of curb ramp built shall be the type that best fits the location unless a specific type is specified. Type 1 is preferred because of the flatter side slopes. Any combination of Type 1 and 2 side slopes on opposite sides of a ramp may be used to best fit the site conditions.

SLOPE of the ramp toward the curb is preferred to be 12:1 or flatter related to the horizontal but the maximum slope shall be 12:1 related to the existing or proposed walk slope. The minimum ramp length is 5' from the back of a 6" curb and may be increased where feasible to obtain a flatter ramp slope or to better blend with the walk configuration.

WIDTH of ramp shall normally be 4' but a minimum width of 40" may be used to better fit the walk configuration or where site conditions are restricted by narrow walks, pole foundations, drainage inlets, etc. The width may be tapered.

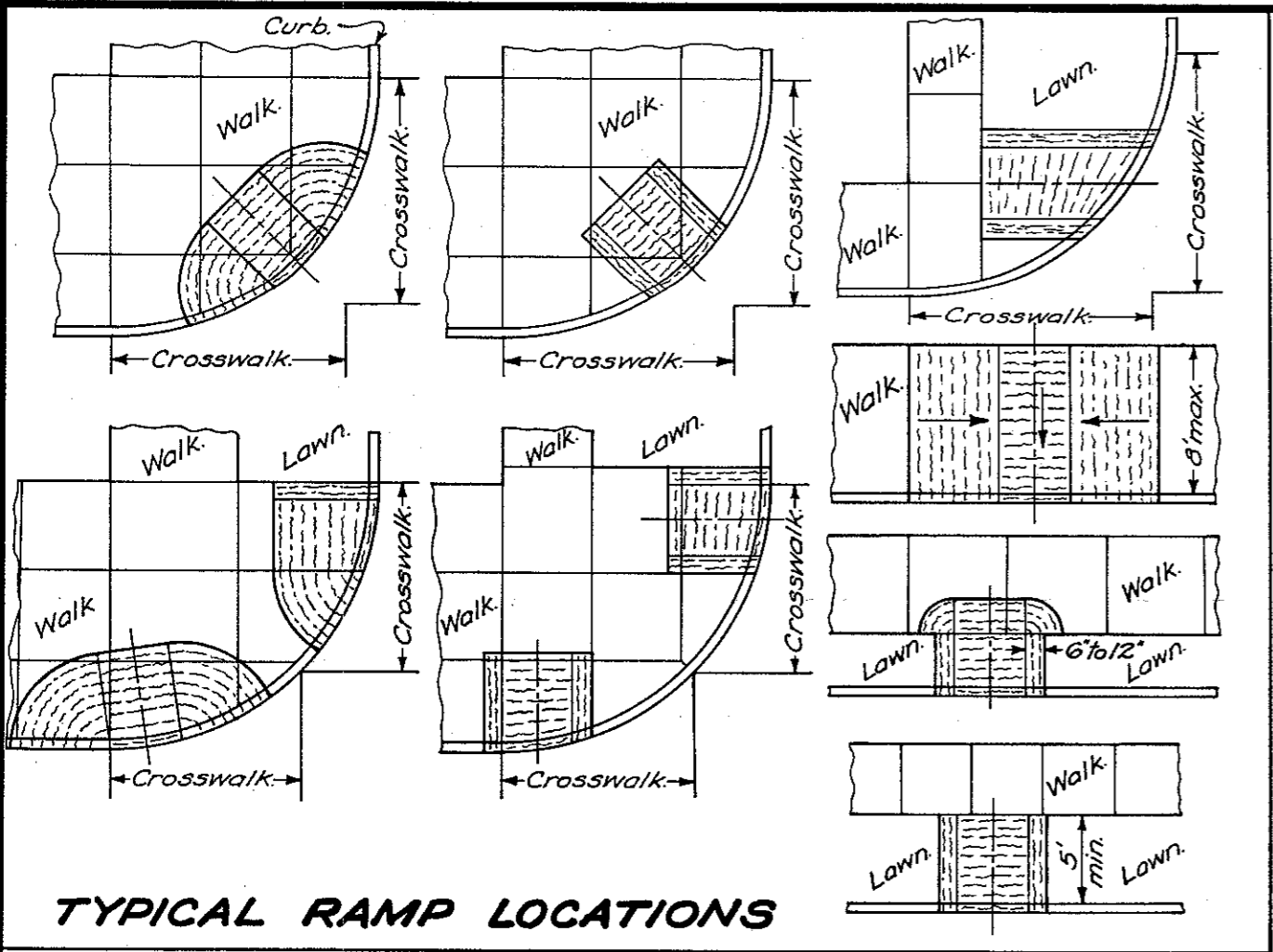
WALK THICKNESS in the ramp slopes shall be 4" minimum or thicker as necessary to match adjacent walk thickness.

BUREAU OF LOCATION AND DESIGN
OHIO DEPARTMENT OF TRANSPORTATION

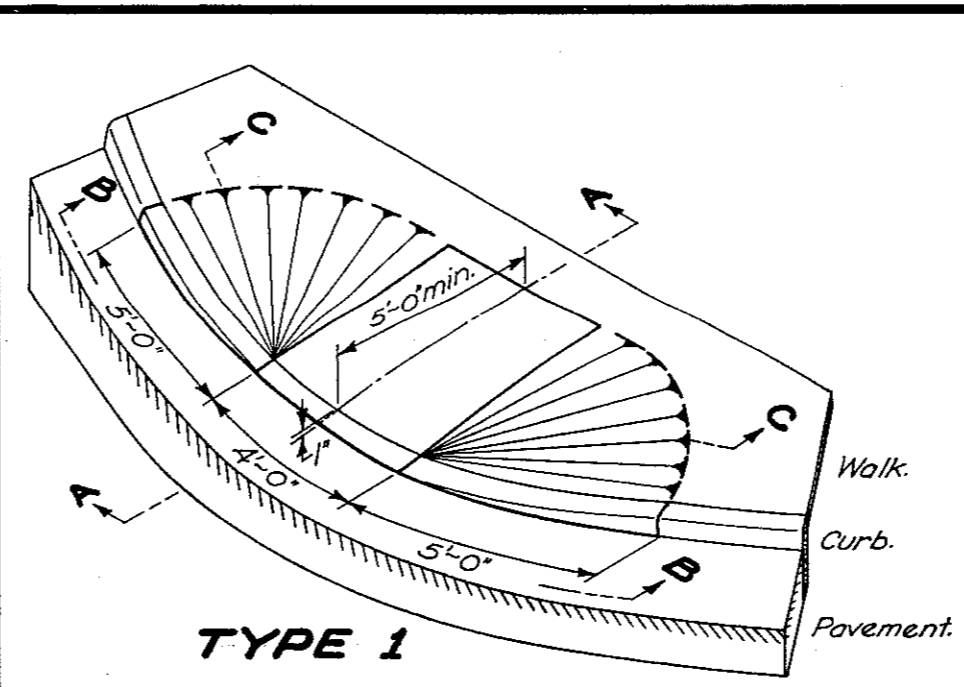
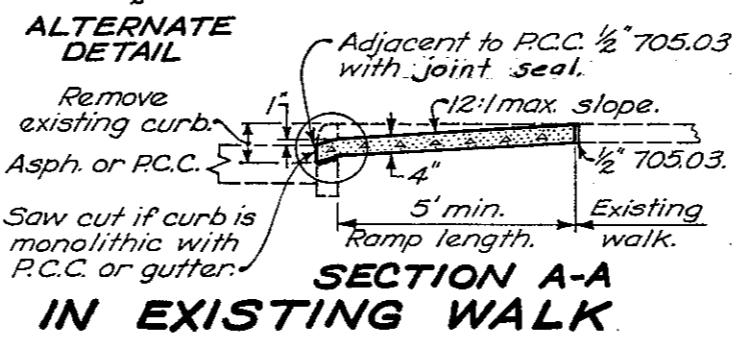
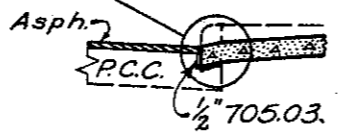
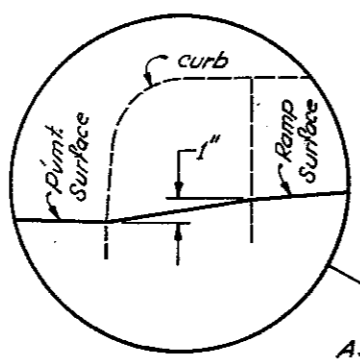
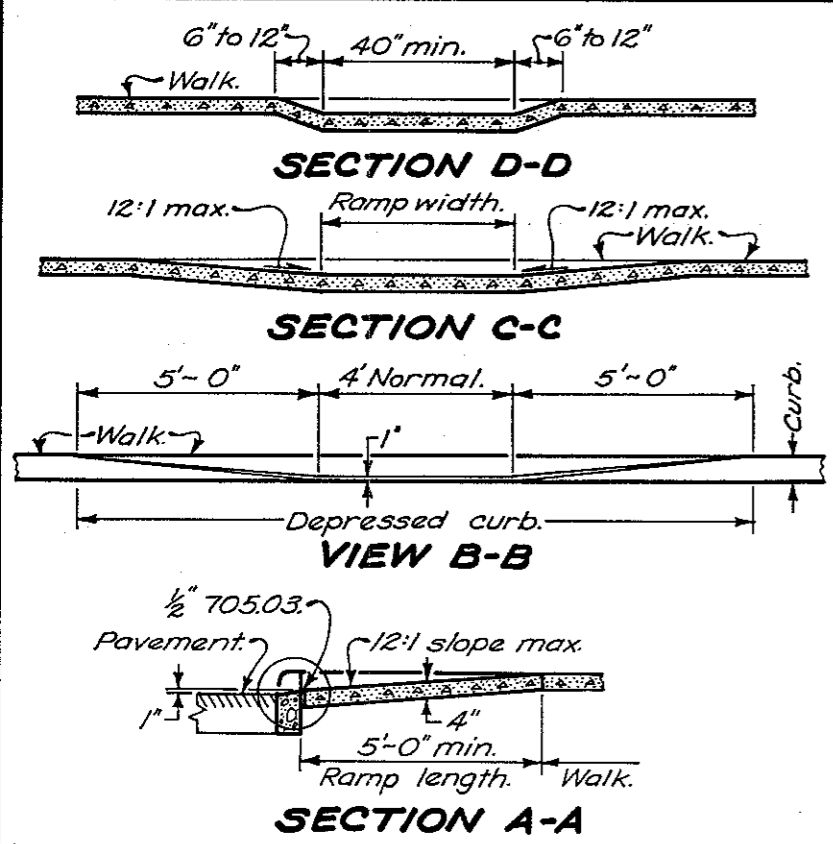
CURB RAMPS

STANDARD CONSTRUCTION DRAWING
BP-12
APPROVED: [Signature] ENGR., L.D.

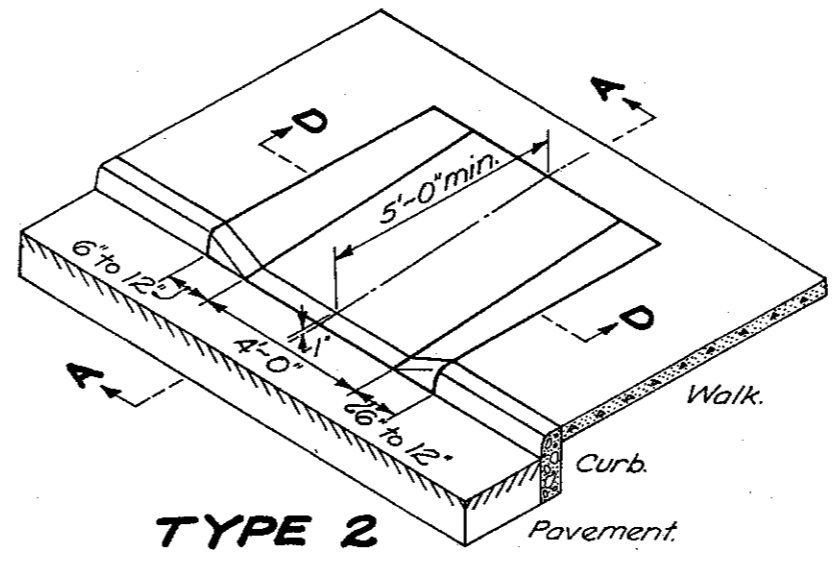
DATE
8-11-75
7-7-81



TYPICAL RAMP LOCATIONS



TYPE 1



TYPE 2

NOTES

PAYMENT: Walk and curb, items 608 and 609, shall be measured through the curb ramp area and paid for under their respective items. Item "608, each, Curb ramp" constructed in new curb and walk shall include the cost of any additional materials, grading, forming and finishing. Item "608, square foot, Curb ramp", constructed in existing curb and walk shall include the total cost of furnishing all materials and constructing the curb and walk of the curb ramp. Removal of existing curb and walk shall be paid for as 202 items.

SURFACE TEXTURE shall be obtained by coarse brooming transverse to the ramp slopes and shall be rougher than adjacent walk.

JOINTS shall be provided in the curb ramp as extensions of walk joints and consistent with 608.03 requirements for new concrete walk. A 1/2" 705.03 expansion joint filler shall be provided around the edge of ramps built in existing concrete walk. Lines shown on this drawing to indicate the ramp edge and slope changes are not necessarily joint lines.

DIMENSIONS, LOCATION AND TYPE of curb ramp may be modified as directed by the engineer in accordance with the following:

TYPE of curb ramp built shall be the type that best fits the location unless a specific type is specified. Type 1 is preferred because of the flatter side slopes. Any combination of Type 1 and 2 side slopes on opposite sides of a ramp may be used to best fit the site conditions.

SLOPE of the ramp toward the curb is preferred to be 12:1 or flatter related to the horizontal but the maximum slope shall be 12:1 related to the existing or proposed walk slope. The minimum ramp length is 5' from the back of a 6" curb and may be increased where feasible to obtain a flatter ramp slope or to better blend with the walk configuration.

WIDTH of ramp shall normally be 4' but a minimum width of 40" may be used to better fit the walk configuration or where site conditions are restricted by narrow walks, pole foundations, drainage inlets, etc. The width may be tapered.

WALK THICKNESS in the ramp slopes shall be 4" minimum or thicker as necessary to match adjacent walk thickness.

BUREAU OF LOCATION AND DESIGN OHIO DEPARTMENT OF TRANSPORTATION	
CURB RAMPS	
STANDARD CONSTRUCTION DRAWING BP-12	
APPROVED <i>A. J. Widtma</i> ENGR., L.D.	
DATE 8-11-75 7-7-81 10-1-87	