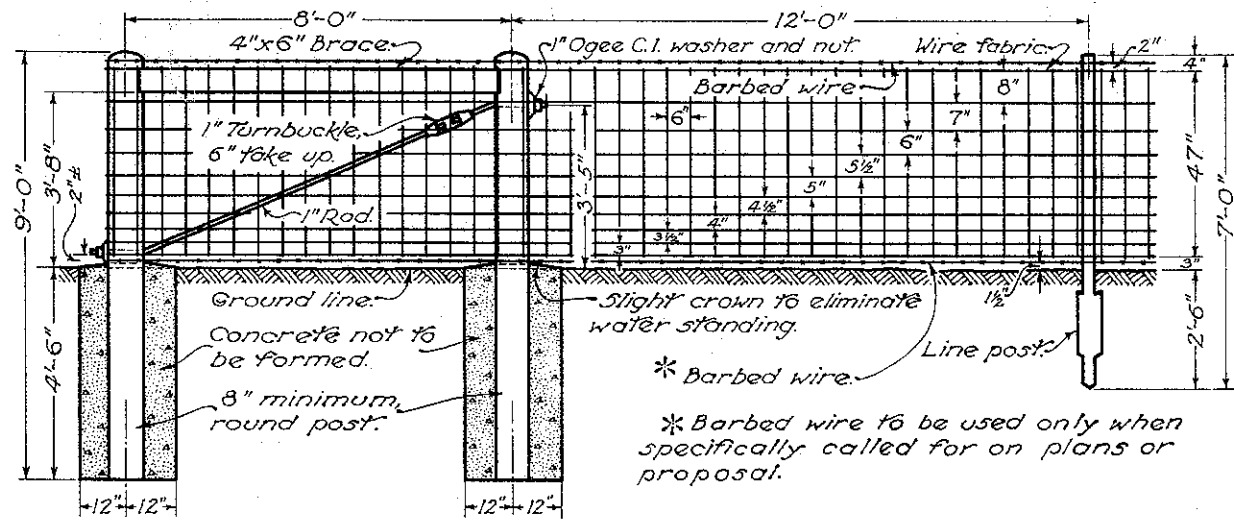
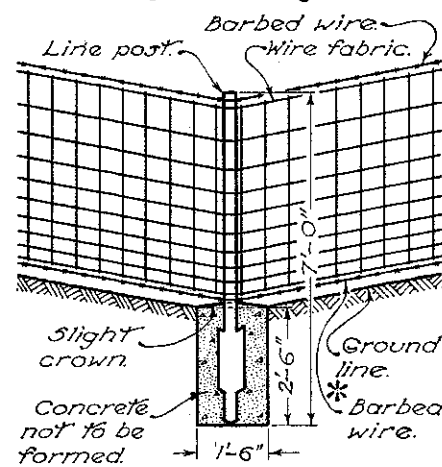


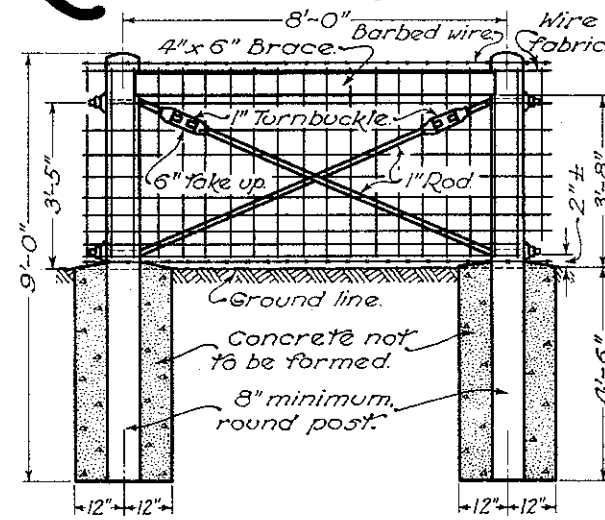
TYPE 47 WOVEN WIRE FENCE



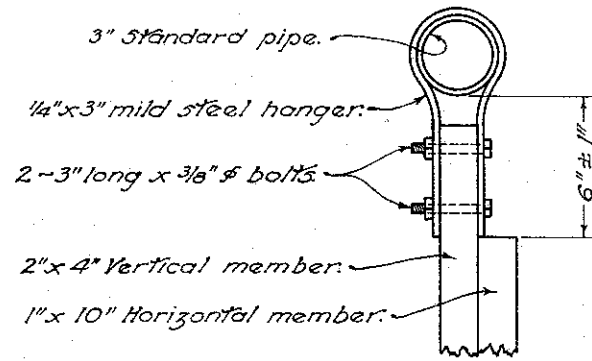
CORNER OR END POST ASSEMBLY



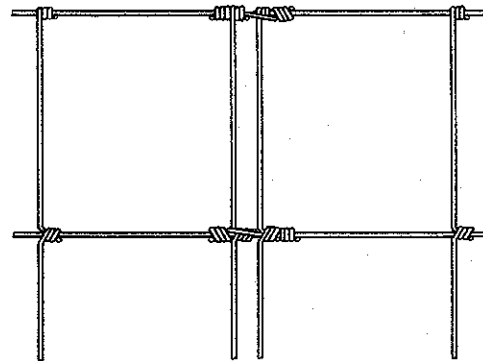
LINE POST IN DIP SECTION



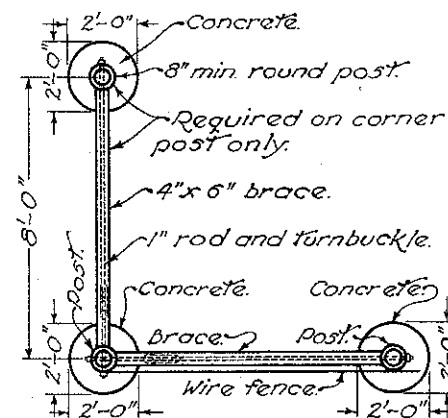
INTERMEDIATE ANCHOR POST ASSEMBLY



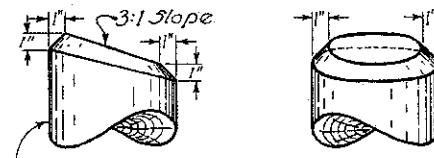
HANGER DETAIL



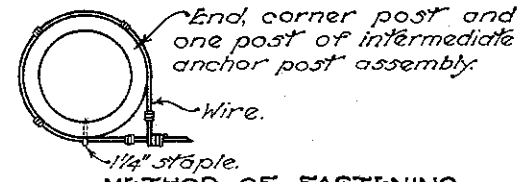
WIRE FENCE SPLICE



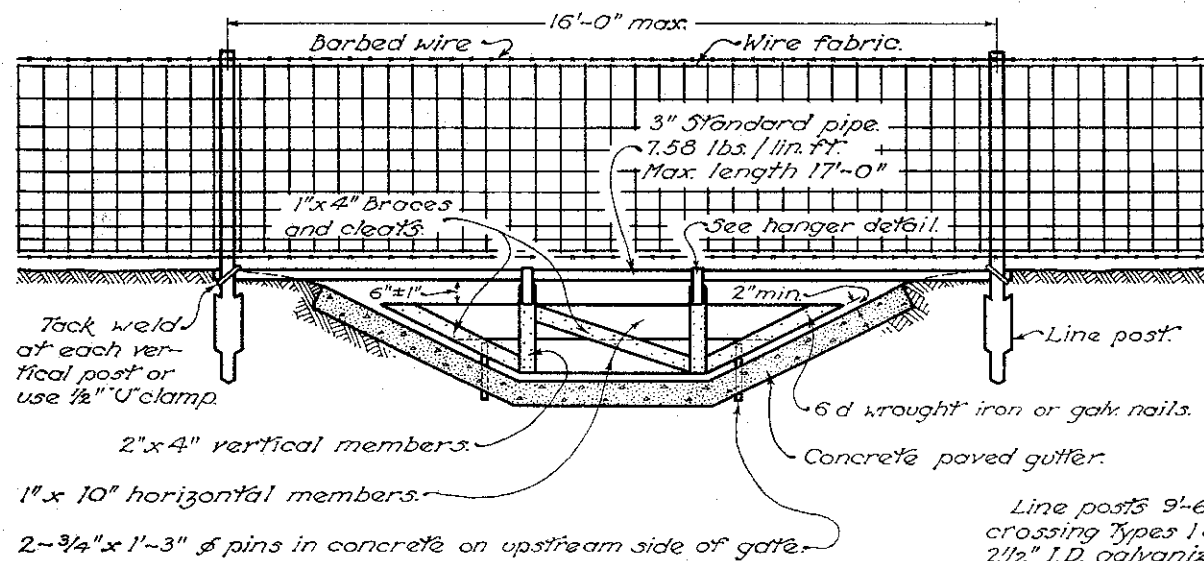
CORNER OR END POST ASSEMBLY



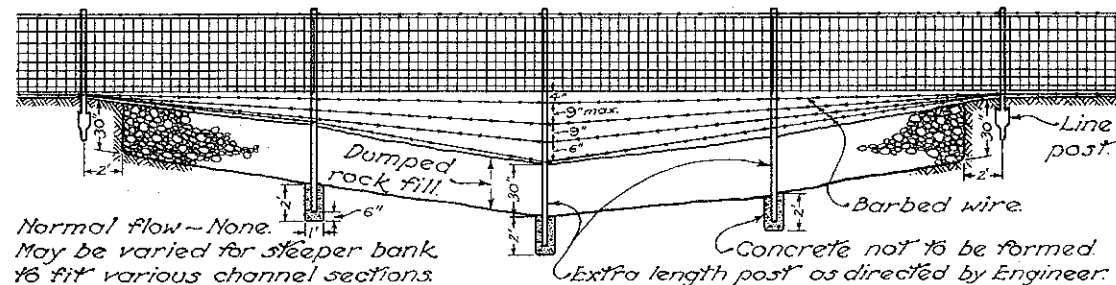
TOP OF POSTS



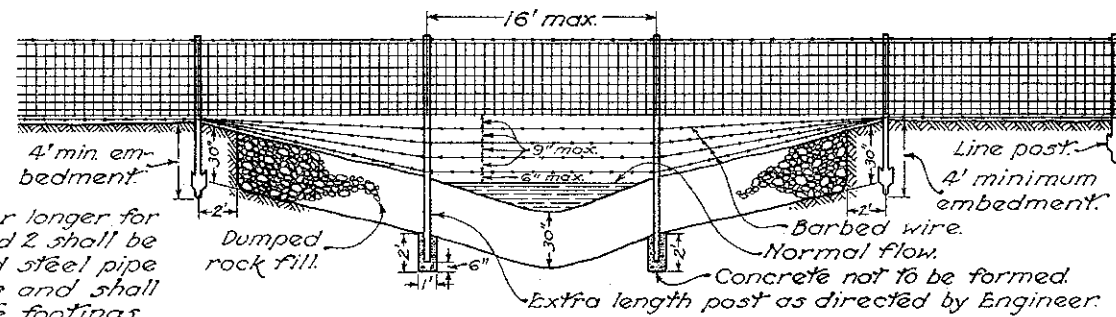
METHOD OF FASTENING FENCE AT POSTS



CROSSING TYPE 3



CROSSING TYPE 1



CROSSING TYPE 2

Line posts 9'-6" or longer for crossing Types 1 and 2 shall be 2 1/2" I.D. galvanized steel pipe or 3" x 3" x 1/4" angles and shall be set in concrete footings.

NOTES

GENERAL: Fence shall be built in accordance with the details shown hereon.

POSTS AND BRACES: All wood posts shall meet the specifications for round wood guard rail posts. Posts shall be encased in concrete as shown.

Braces shall be of the dimensions shown and shall be fastened to the posts with No. 16 nails.

Corner post assemblies, intermediate anchor post assemblies, end panels, pull panels and encased corner posts without braces shall be placed at locations shown in the plans or as required by The Construction and Material Specifications.

STREAM CROSSINGS: Types 1 and 2 stream crossings shall be specified at earth side ditches and streams served by culverts smaller than 48 inch rise. Dumped rock channel protection shall be provided for the full length of the tanned barbed wire to a depth of 30 inches and width of 2 feet outside the fence and 4 feet inside the fence, total width 6 feet. Dumped rock fill, including excavation, shall be paid for under Item I-10.

Type 3 stream crossing shall be provided where fence crosses paved gutter. Lumber shall meet the requirements of Section 11-8.3. Cost included with fence.

CONCRETE shall be Class E and shall be governed by the provisions of Item 5-1 except that post holes shall be excavated to neat lines and concrete poured without forms. Cost of concrete and excavation included in unit price bid for fence.

FABRIC. Other methods for splicing wire fence may be used in lieu of the method shown when approved by the Director.

BUREAU OF LOCATION AND DESIGN
OHIO DEPARTMENT OF HIGHWAYS

DATE
2-1-63

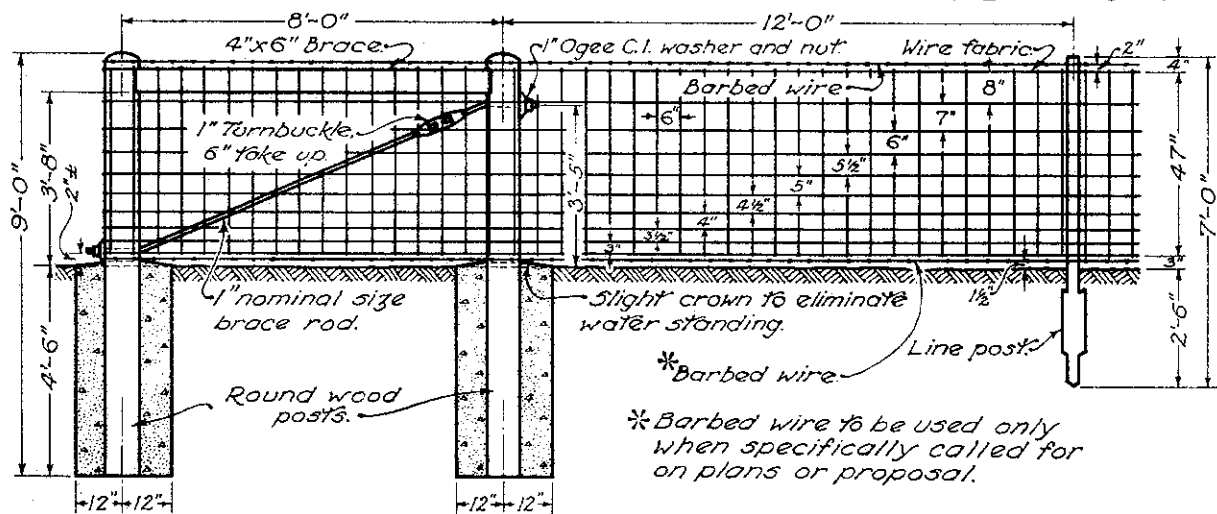
FENCE

STANDARD
CONSTRUCTION
DRAWING

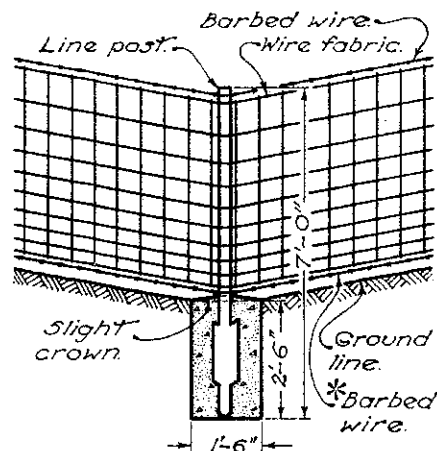
F-2

APPROVED *[Signature]* ENGR. L. & D.

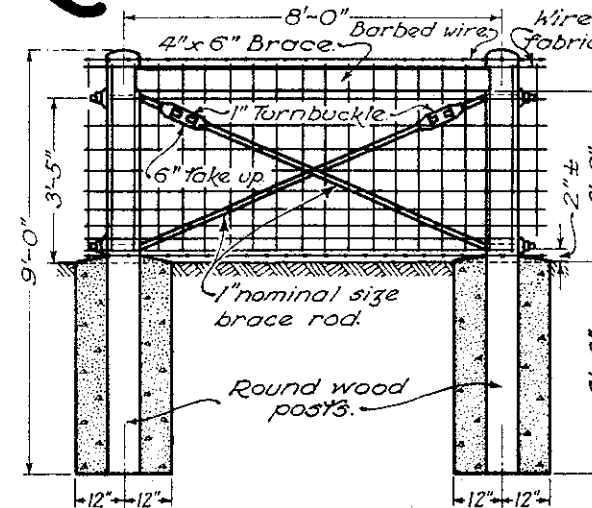
TYPE 47 WOVEN WIRE FENCE



CORNER OR END POST ASSEMBLY



LINE POST IN DIP SECTION



INTERMEDIATE ANCHOR POST ASSEMBLY

NOTES

BRACES:— Braces shall be fastened to the posts with No 16 nails.

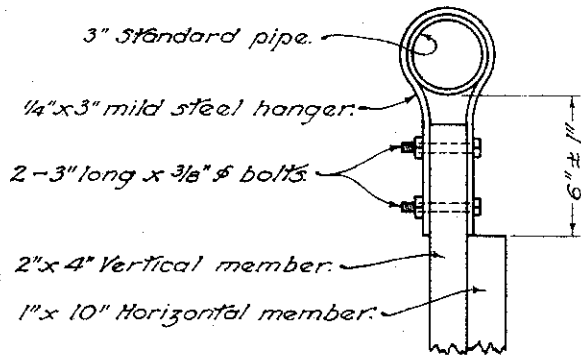
STREAM CROSSINGS:— Types 1 and 2 stream crossings shall be specified at earth side ditches and streams served by culverts smaller than 48 inch rise.

Rock channel protection shall be provided for the full length of the fanned barbed wire to a depth of 18 inches and a width of 2 feet outside the fence and 4 feet inside the fence, total width 6 feet. Rock channel protection shall be paid for under 601.

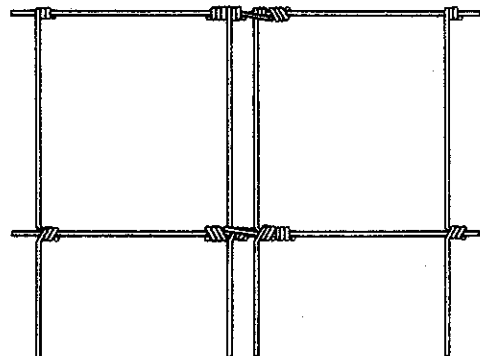
Type 3 stream crossing shall be provided where fence crosses paved gutter.

FABRIC:— Other methods for splicing wire fence may be used in lieu of the method shown when approved by the Director.

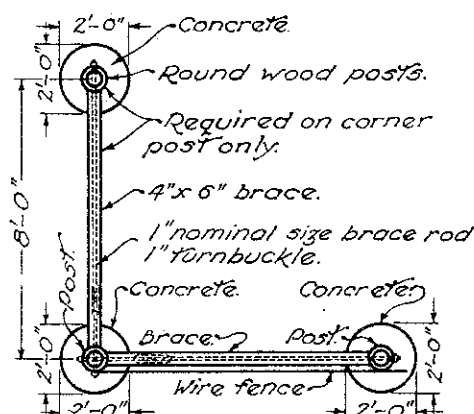
CONCRETE:— The provisions of 511.13 are modified to the extent that concrete shall be protected during the curing period in a manner such that it will not freeze. Concrete shall be Class "C".



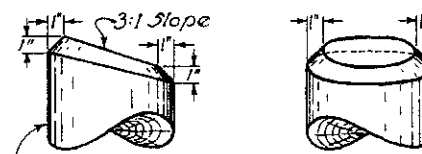
HANGER DETAIL



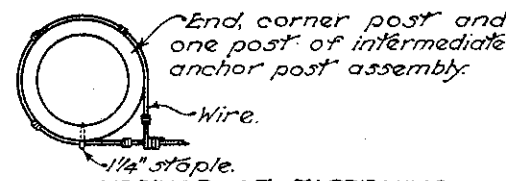
WIRE FENCE SPLICE



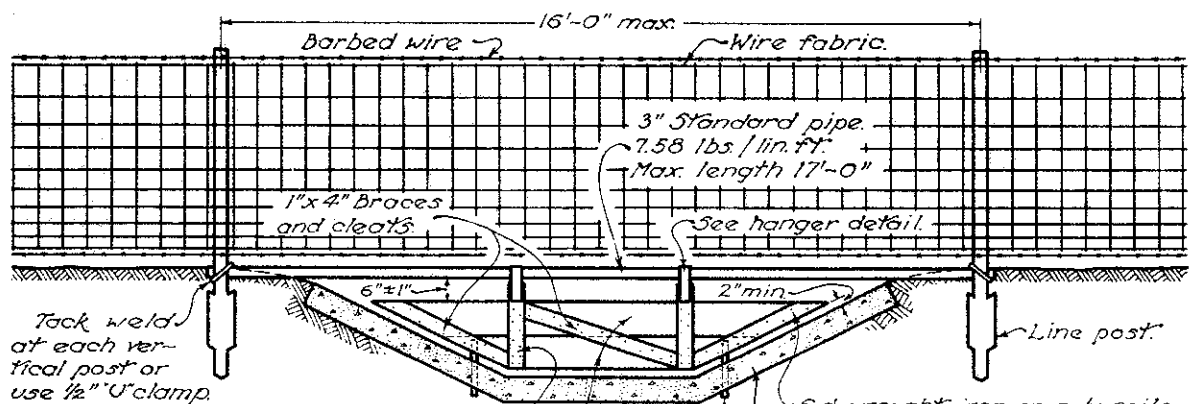
CORNER OR END POST ASSEMBLY



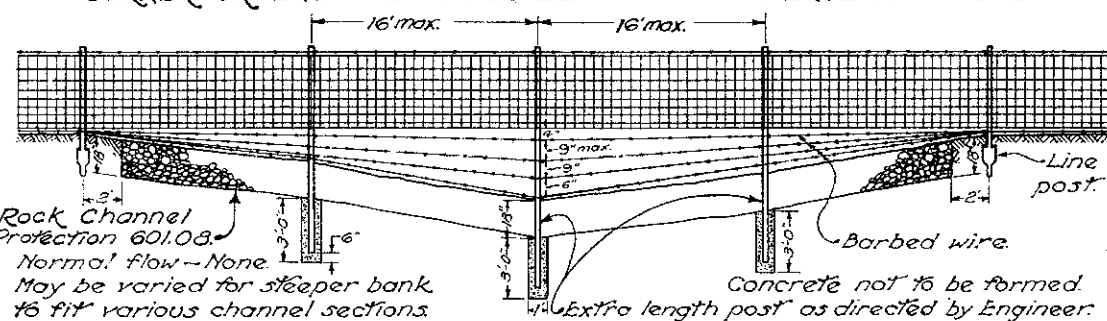
TOP OF POSTS



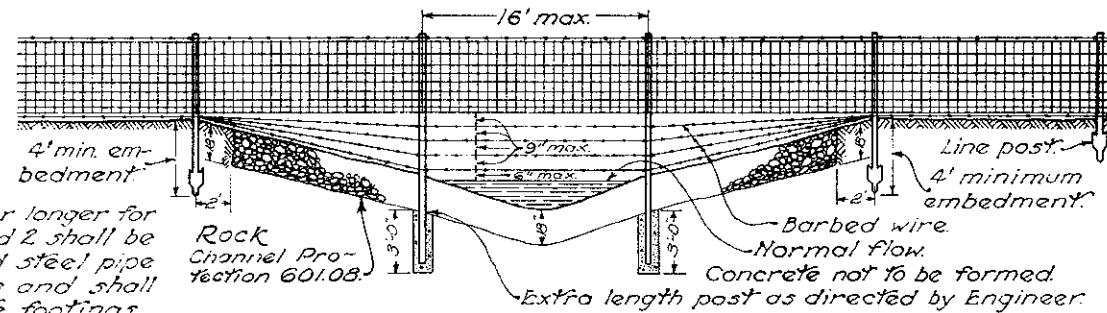
METHOD OF FASTENING FENCE AT POSTS



CROSSING TYPE 3



CROSSING TYPE 1



CROSSING TYPE 2

Line posts 9'-6" or longer for crossing Types 1 and 2 shall be 2 1/2" I.D. galvanized steel pipe or 3"x3"x1/4" angles and shall be set in concrete footings.

BUREAU OF LOCATION AND DESIGN
OHIO DEPARTMENT OF HIGHWAYS

FENCE

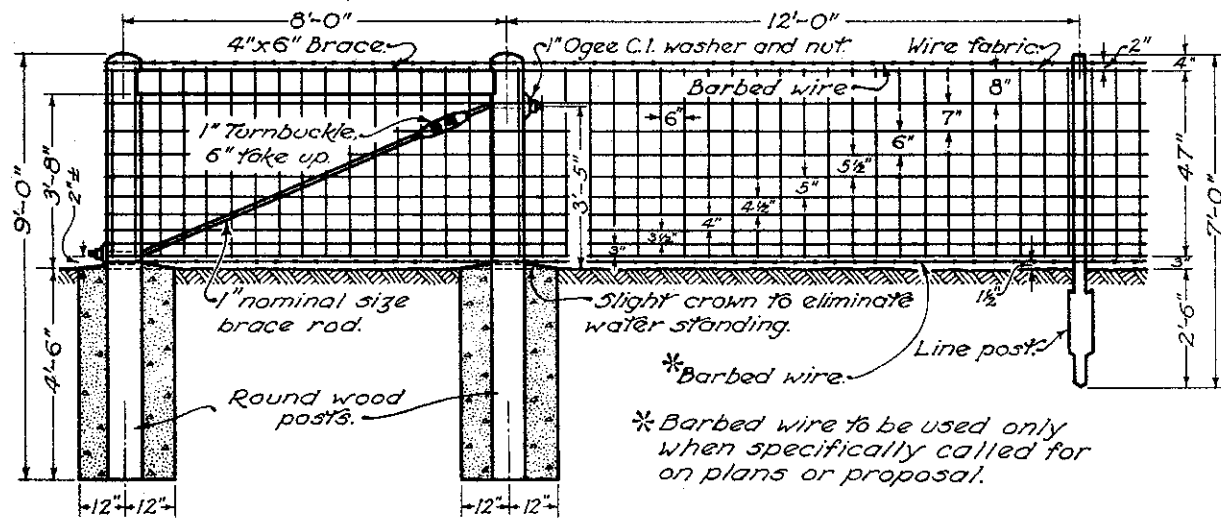
STANDARD
CONSTRUCTION
DRAWING

F-2

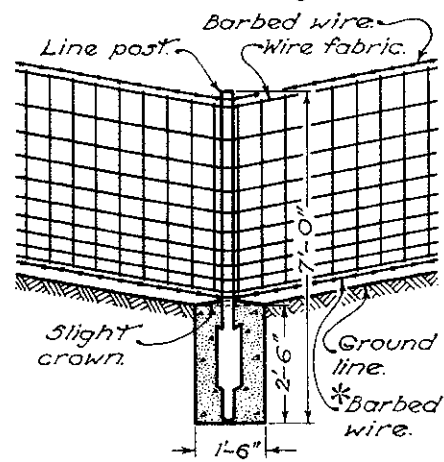
APPROVED: *[Signature]* ENGR. L. & D.

DATE:
2-1-63
6-1-65
3-10-69

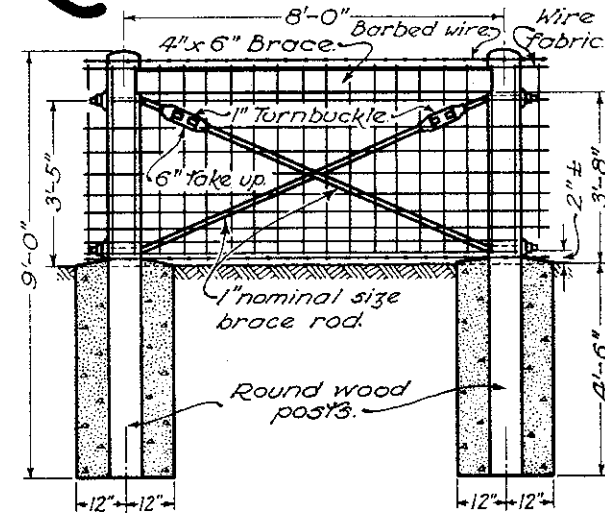
TYPE 47 WOVEN WIRE FENCE



CORNER OR END POST ASSEMBLY



LINE POST IN DIP SECTION

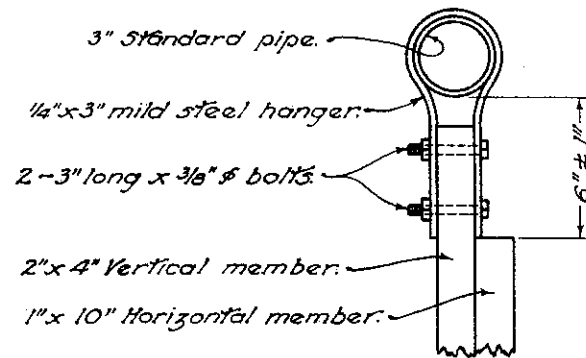


INTERMEDIATE ANCHOR POST ASSEMBLY

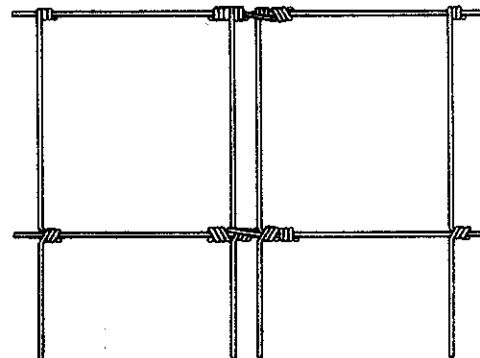
NOTES

BRACES: Braces shall be fastened to the posts with No. 16 nails.
STREAM CROSSINGS: Types 1 and 2 stream crossings shall be specified at earth side ditches and streams served by culverts smaller than 48 inch rise. Rock channel protection shall be provided for the full length of the fanned barbed wire to a depth of 18 inches and a width of 2 feet outside the fence and 4 feet inside the fence, total width 6 feet. Rock channel protection shall be paid for under 601.
 Type 3 stream crossing shall be provided where fence crosses paved gutter.

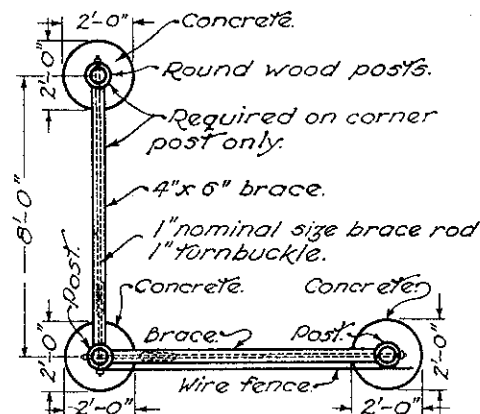
FABRIC: Other methods for splicing wire fence may be used in lieu of the method shown when approved by the Director.
CONCRETE: The provisions of 511.13 are modified to the extent that concrete shall be protected during the curing period in a manner such that it will not freeze. Concrete shall be Class "C".



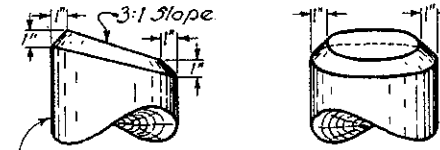
HANGER DETAIL



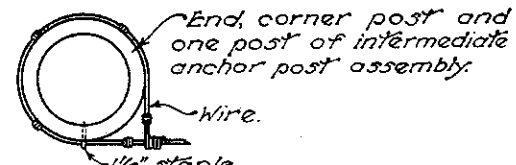
WIRE FENCE SPLICE



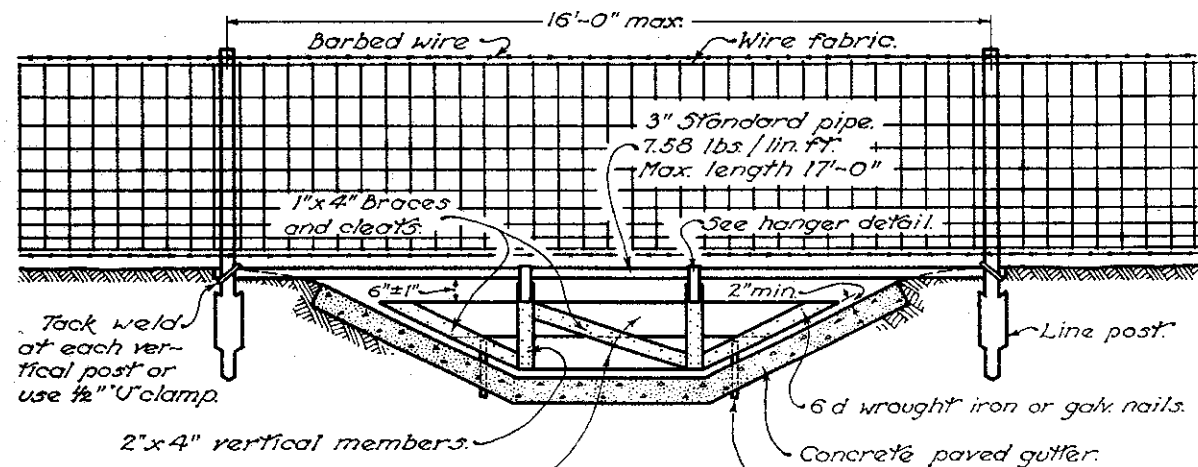
CORNER OR END POST ASSEMBLY



TOP OF POSTS

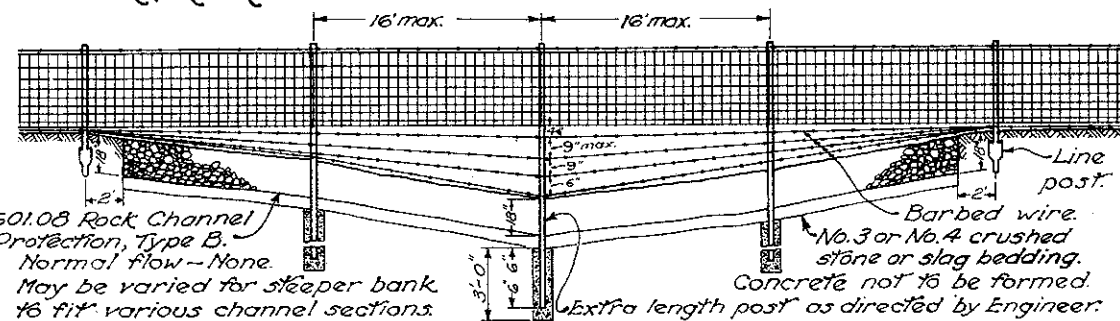


METHOD OF FASTENING FENCE AT POSTS

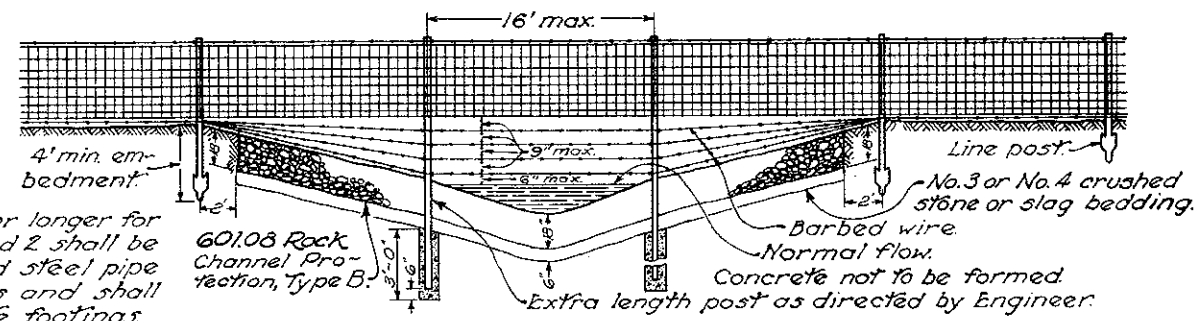


CROSSING TYPE 3

Line posts 9'-6" or longer for crossing Types 1 and 2 shall be 2 1/2" I.D. galvanized steel pipe or 3" x 3" x 1/4" angles and shall be set in concrete footings.

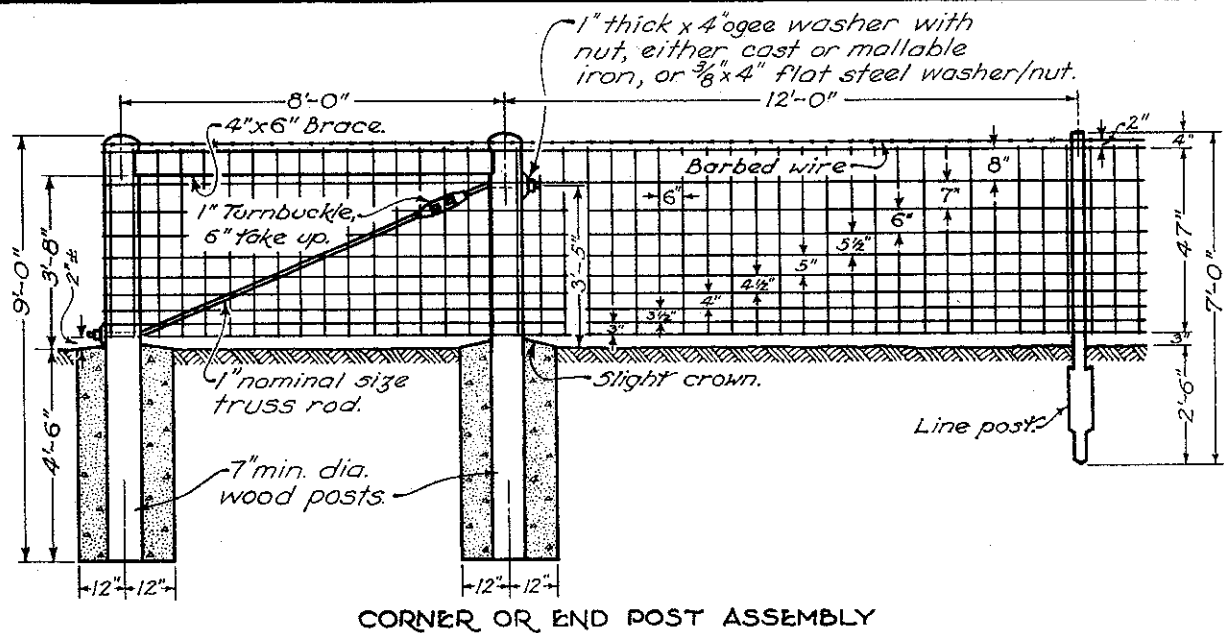


CROSSING TYPE 1

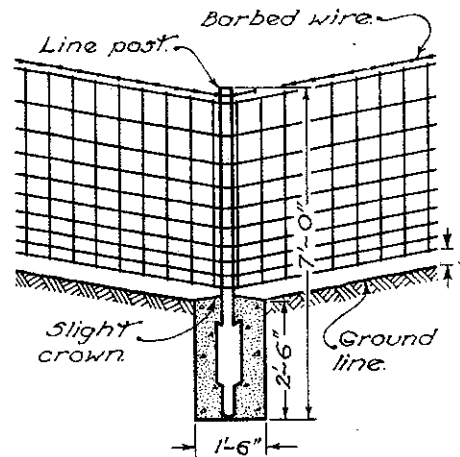


CROSSING TYPE 2

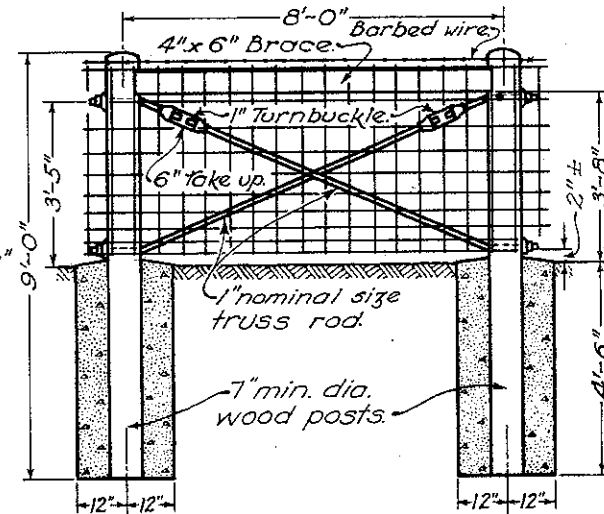
BUREAU OF LOCATION AND DESIGN OHIO DEPARTMENT OF HIGHWAYS	
FENCE	
DATE 2-1-63 6-1-65 3-10-69 1-1-71	
STANDARD CONSTRUCTION DRAWING	F-2
APPROVED <i>R. Bill</i> ENGR. L. & D.	



CORNER OR END POST ASSEMBLY



LINE POST IN DIP SECTION



INTERMEDIATE ANCHOR POST ASSEMBLY

NOTES

BRACES: Wood braces shall be set in notches in the posts and fastened to the posts with 16d nails.

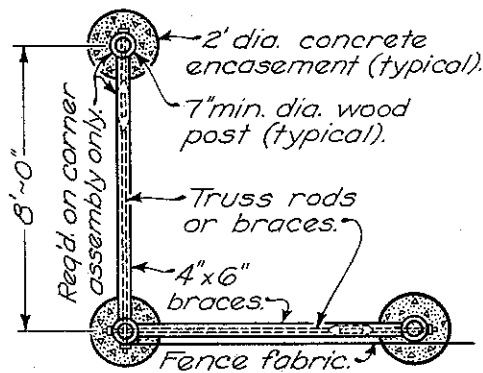
DRIVEN POSTS: Concrete encasement, and tamped earth or aggregate shall be omitted when the wood posts are driven to grade.

CONCRETE: The provisions of 511.12 are modified to the extent that concrete shall be protected during the curing period in a manner such that it will not freeze. Concrete shall be Class C.

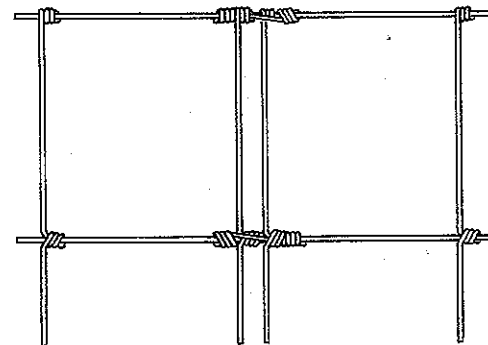
FABRIC: Other methods for splicing wire fence may be used in lieu of the method shown, when approved by the Engineer.

TYPE 47RA FENCE shall be used to fence Rest Areas. Where Types 47 and 47RA intersect at a corner, the corner assembly shall have all wood braces. Fence shall be paid for under Item 607 - Linear Foot - Fence, Type 47 RA.

TYPE 47 FENCE

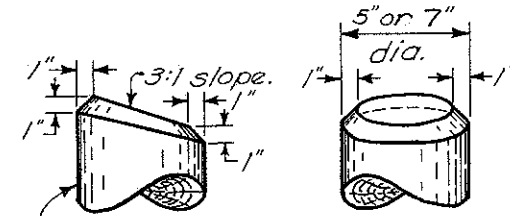


CORNER OR END POST ASSEMBLY

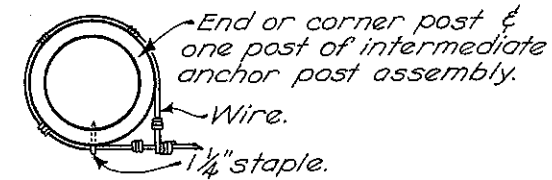


WIRE FENCE SPLICE

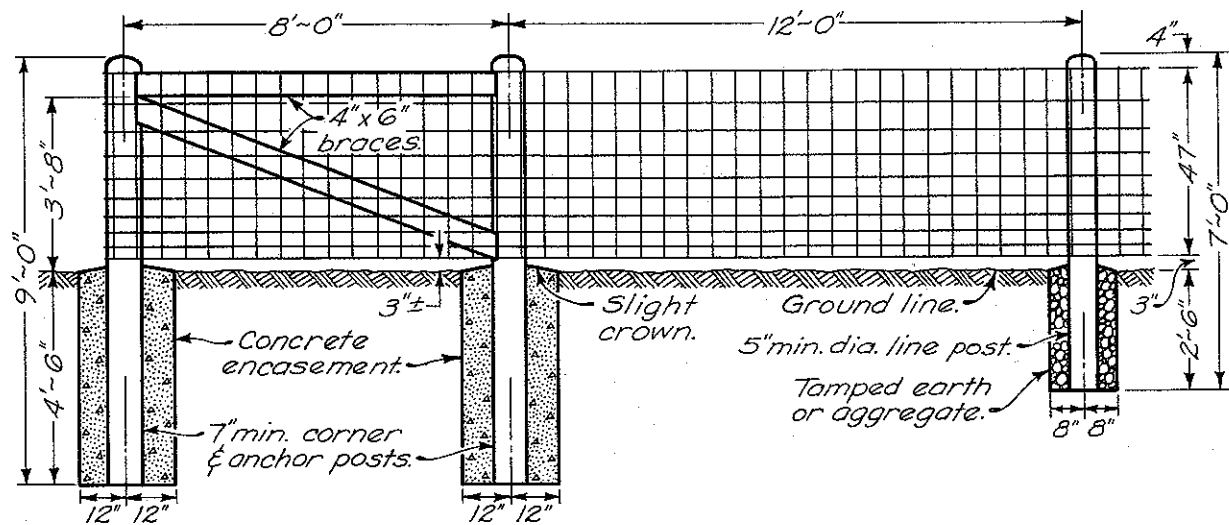
Posts set or driven to within 1" of grade need not be trimmed.



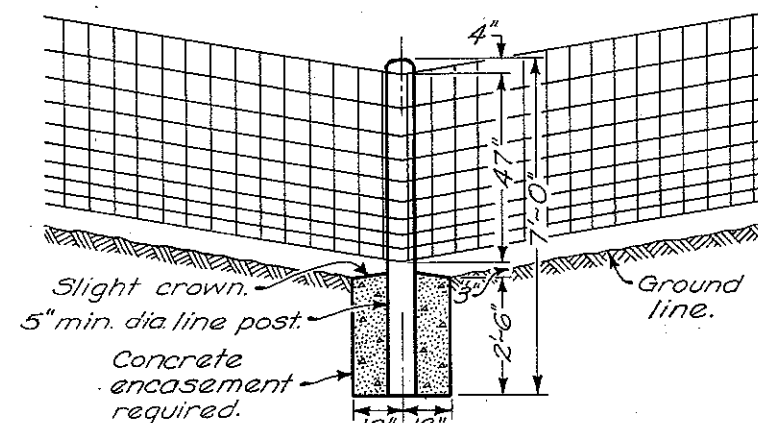
Place wire fabric this side.
TOP OF POSTS



METHOD OF FASTENING FENCE



CORNER, END OR ANCHOR POST ASSEMBLY



LINE POST IN DIP SECTION

TYPE 47RA FENCE

BUREAU OF ROADWAY DESIGN OHIO DEPARTMENT OF TRANSPORTATION	
WOVEN WIRE FENCE	
DATE 2-1-63	6-1-65
3-10-69	1-1-71
5-1-76	
STANDARD CONSTRUCTION DRAWING	F-2
APPROVED: <i>E. J. Schuler</i>	ENGR., R. D.