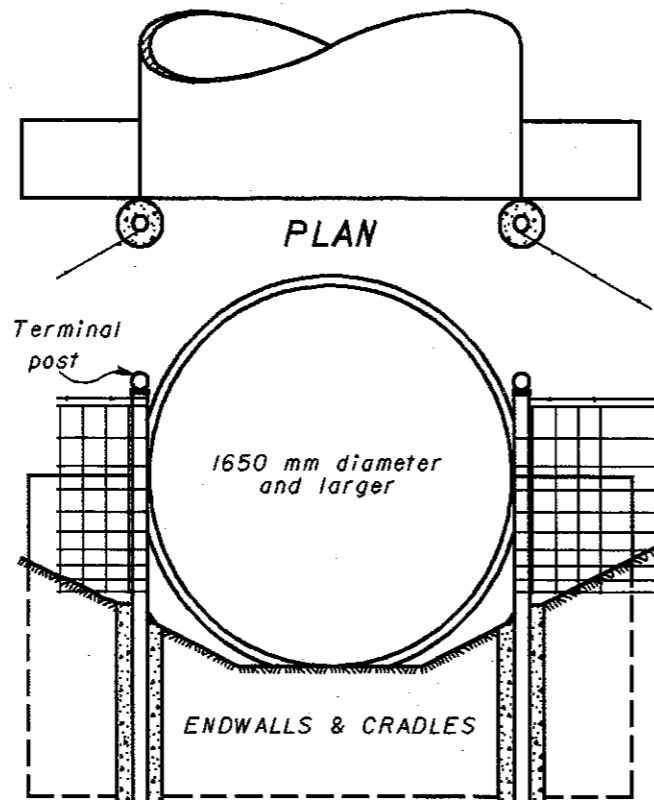
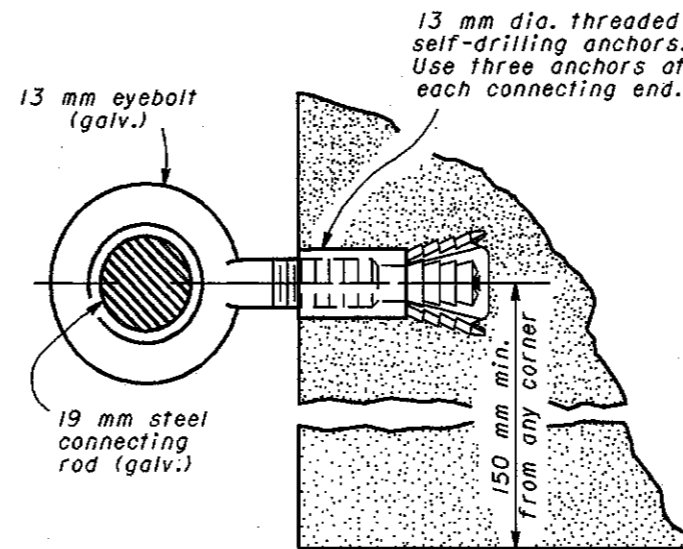


TYPE A



TYPE B



WALL CONNECTION

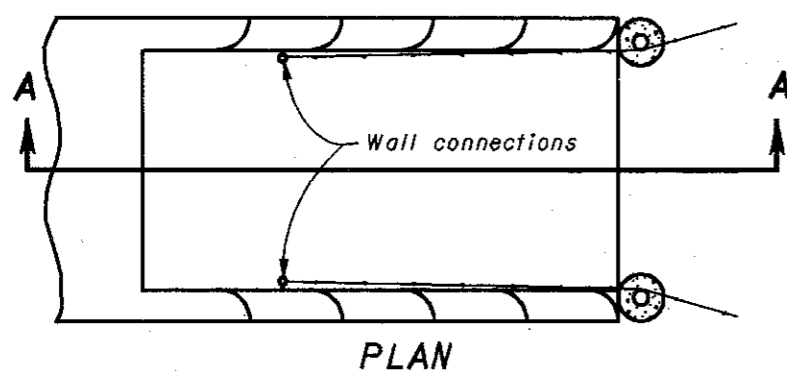
NOTES

FENCE TYPE: Fence terminals shown on this drawing apply to Type 47 fence as detailed, however, the same designs may be used in the construction of all types of fence if modified for differences in basic design such as anchor assembly, height of fence, length of panel, or any other variance which would affect the terminal design.

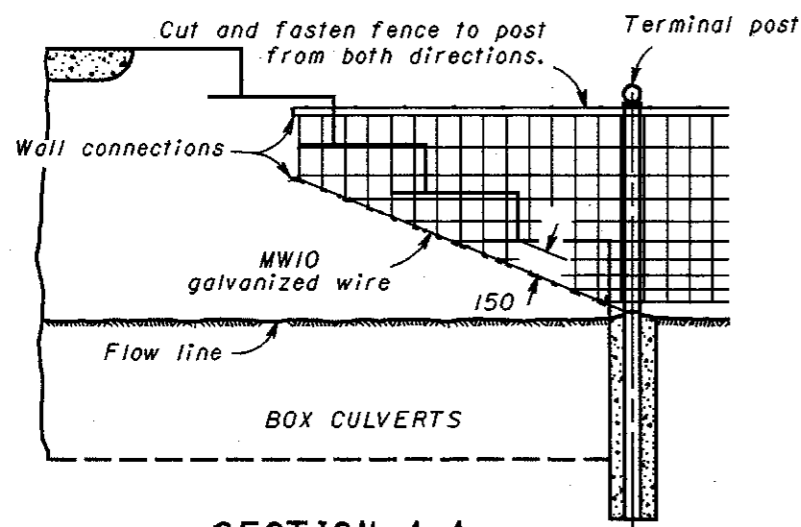
Cost of furnishing and installing connecting rods, eyebolts and anchors for wall connections shall be included in the unit price bid per meter of fence.

ANCHORS: Self-drilling anchors shall conform to CMS 712.01. Threaded steel inserts may be cast-in-place when the structure is constructed, instead of using self-drilling anchors.

EYEBOLT: The steel shall be in accordance with ASTM A 489, except that the bend test is waived. The eyebolt shall be galvanized in accordance with ASTM A 153.

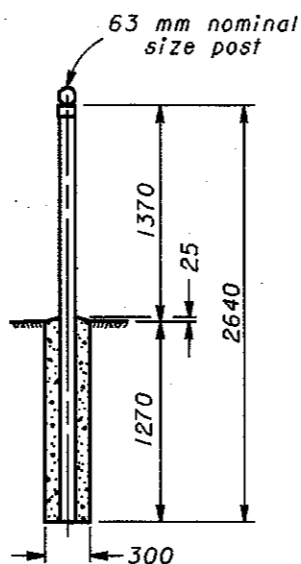


PLAN

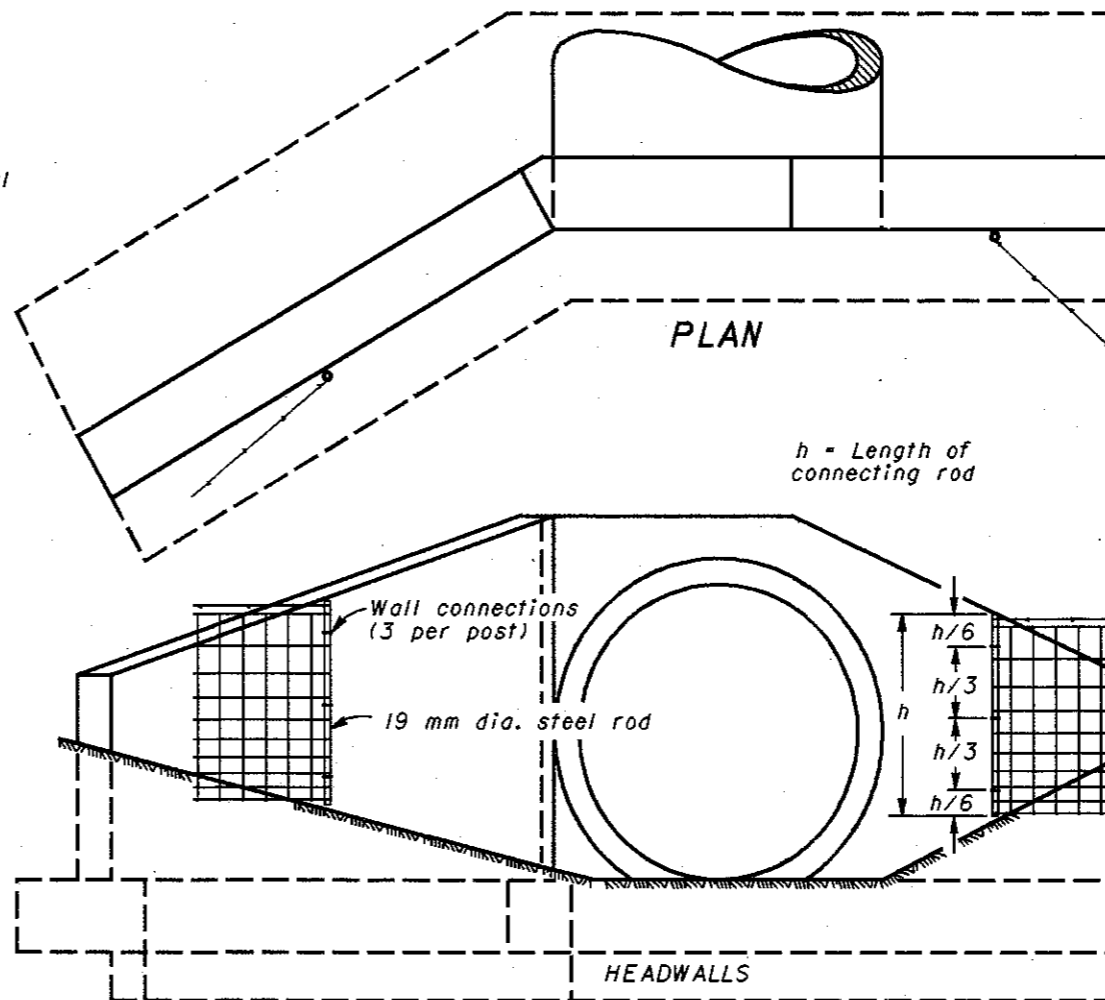


SECTION A-A

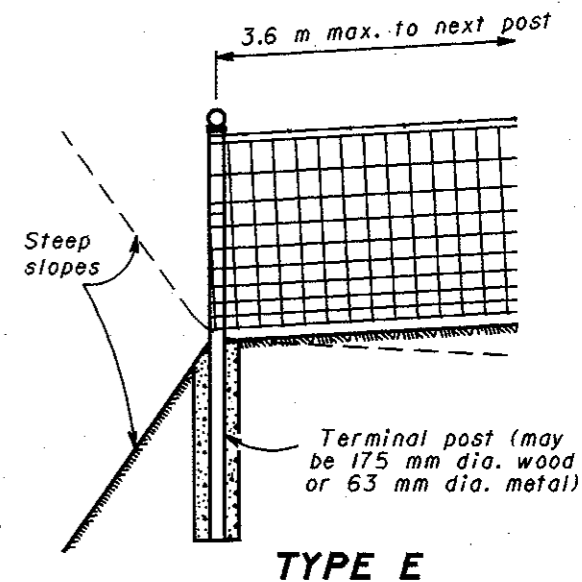
TYPE C



TERMINAL POST



TYPE D



TYPE E

All dimensions are in millimeters unless otherwise noted.



This Drawing Replaces F-5.

BUREAU OF LOCATION AND DESIGN
OHIO DEPARTMENT OF TRANSPORTATION

FENCE DETAILS

DATE
4-21-95

STANDARD CONSTRUCTION DRAWING **F-3.3M**

APPROVED *D.K. Hulman*
ENGR., L & D

THIS DRAWING REPLACES F-3.3M DATED 4-21-95.
 STANDARD ROADWAY CONSTRUCTION DRAWING
FENCE TERMINALS
 NUMBER F-3.3
 ROADWAY ENGINEERING SERVICES
 ALL metric dimensions (in brackets []) are in millimeters unless otherwise noted.
 STUD. ENGR. M. EVANS
 REVISONS
 ROADWAY DESIGN ENGINEER
 DATE 7-28-00

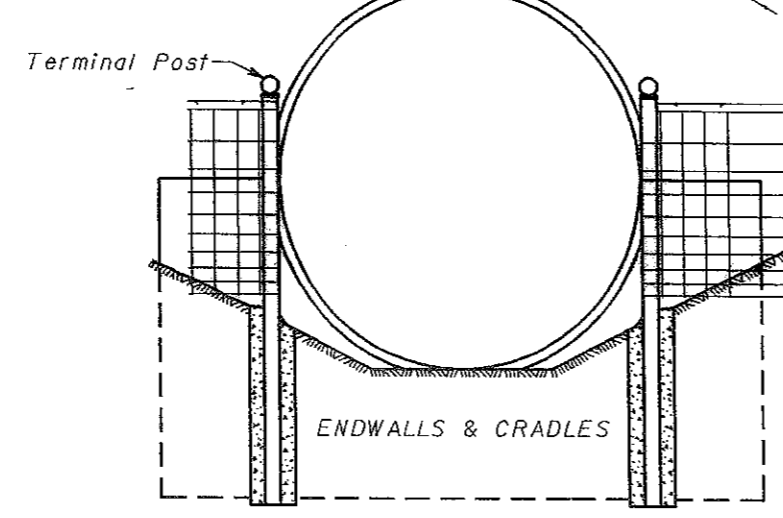
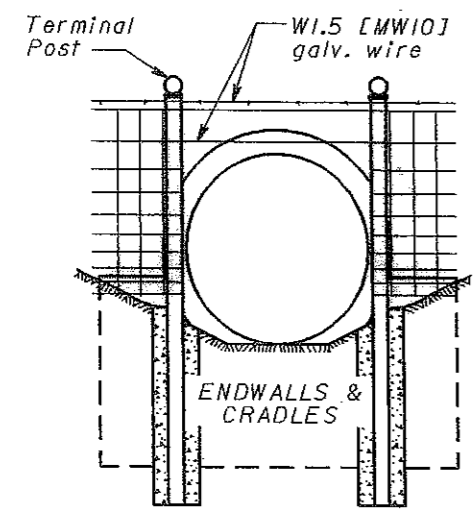
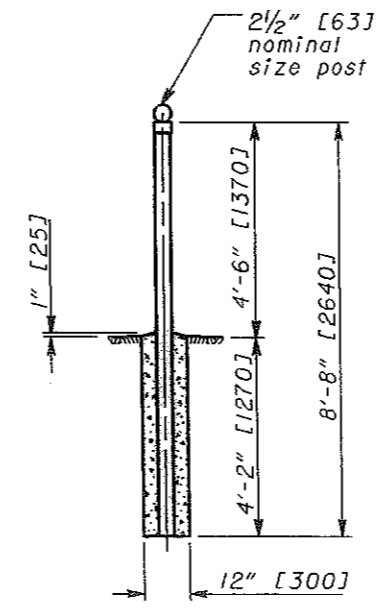
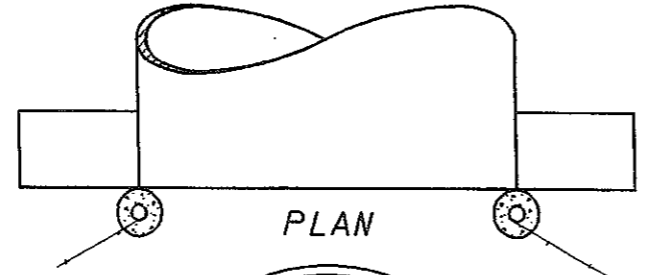
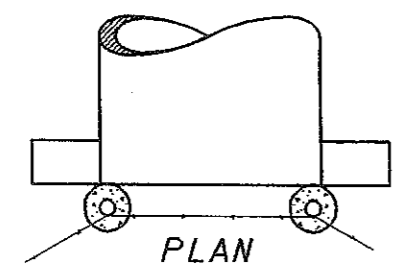
NOTES

FENCE TYPE: Fence terminals shown on this drawing apply to Type 47 fence as detailed, however, the same designs may be used in the construction of all types of fence if modified for differences in basic design such as anchor assembly, height of fence, length of panel, or any other variance that would affect the terminal design.

Cost of furnishing and installing connecting rods, eyebolts and anchors for wall connections shall be included in the unit price bid per meter of fence.

ANCHORS: Self-drilling anchors shall conform to CMS 712.01. Threaded steel inserts may be cast-in-place when the structure is constructed, instead of using self-drilling anchors.

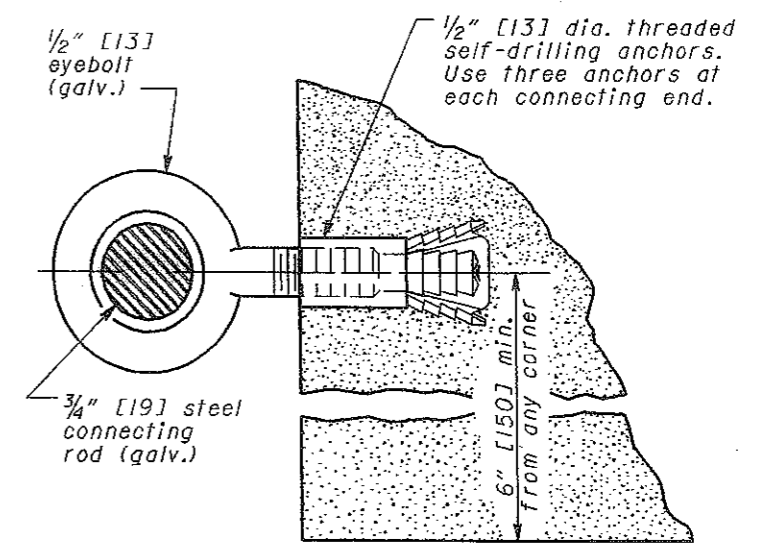
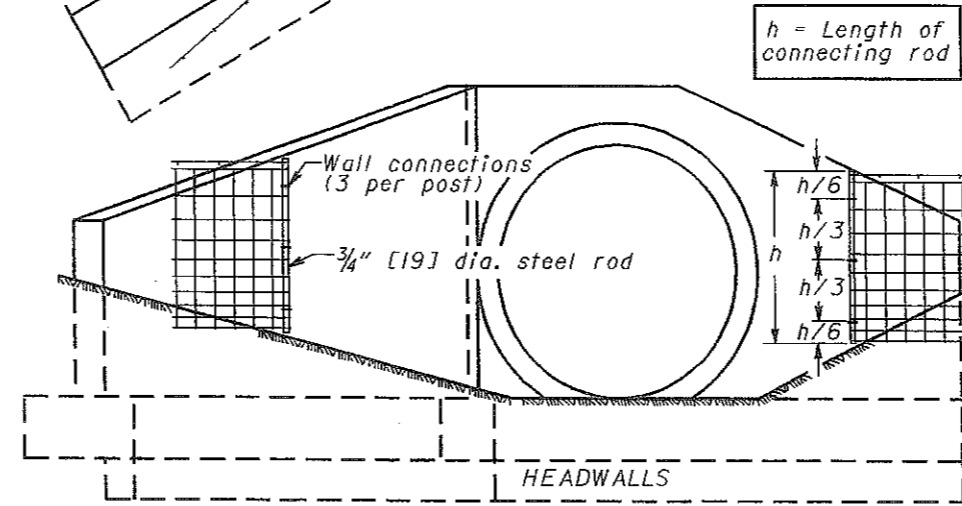
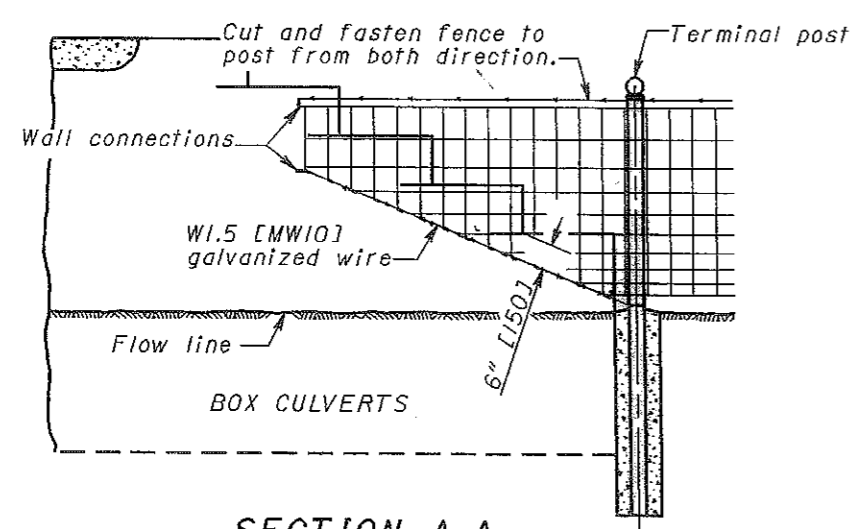
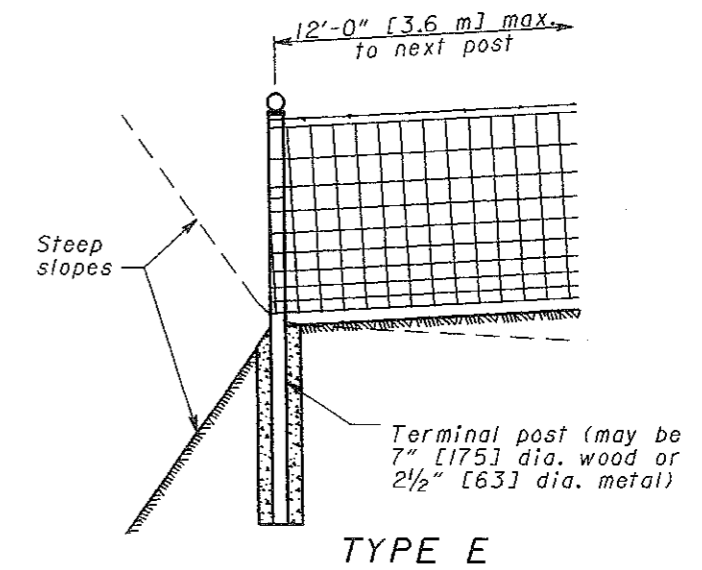
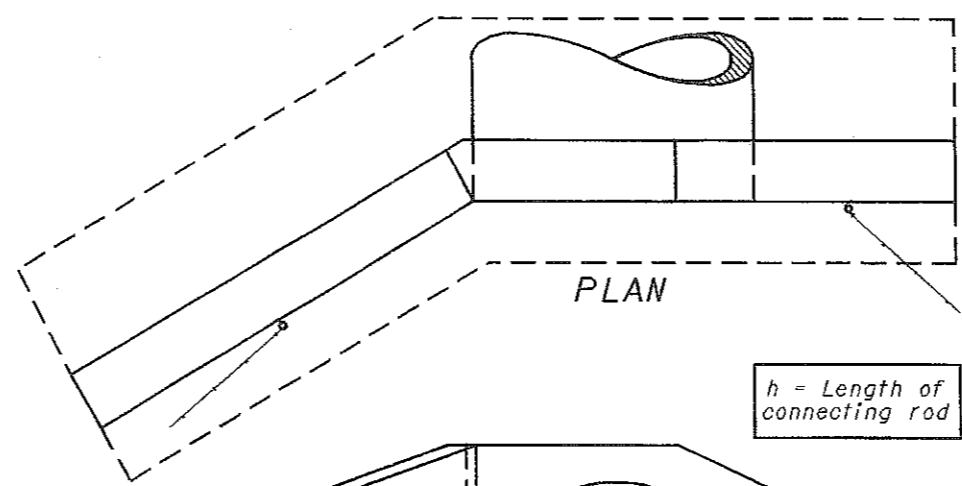
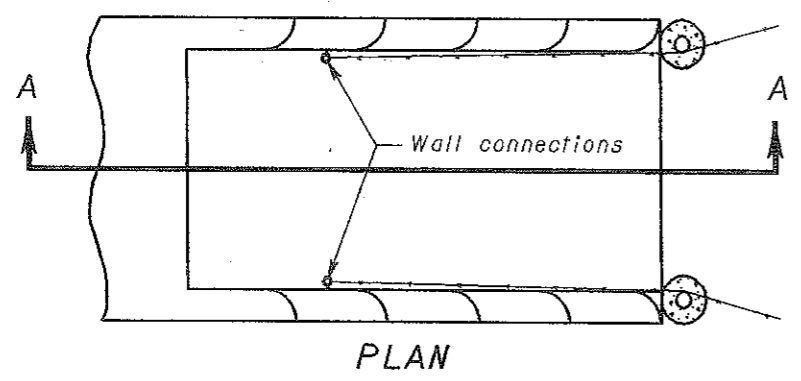
EYEBOLT: The steel shall be in accordance with ASTM A 489, except that the bend test is waived. The eyebolt shall be galvanized in accordance with ASTM A 153.



TERMINAL POST

48", 54" & 60" [1200, 1350, and 1500] diameters
TYPE A

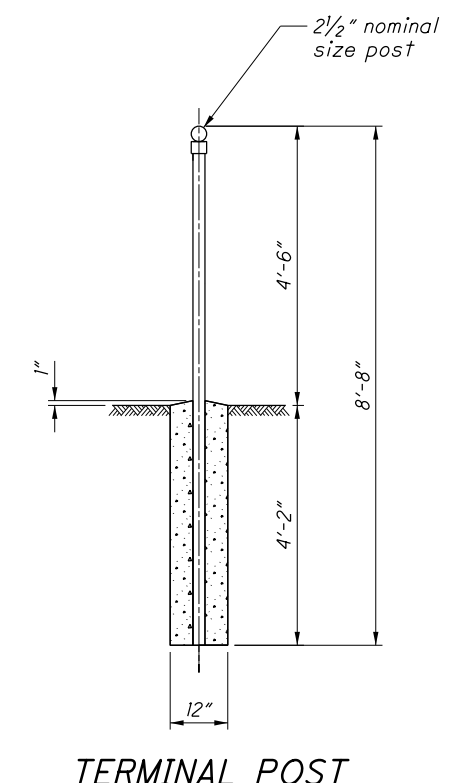
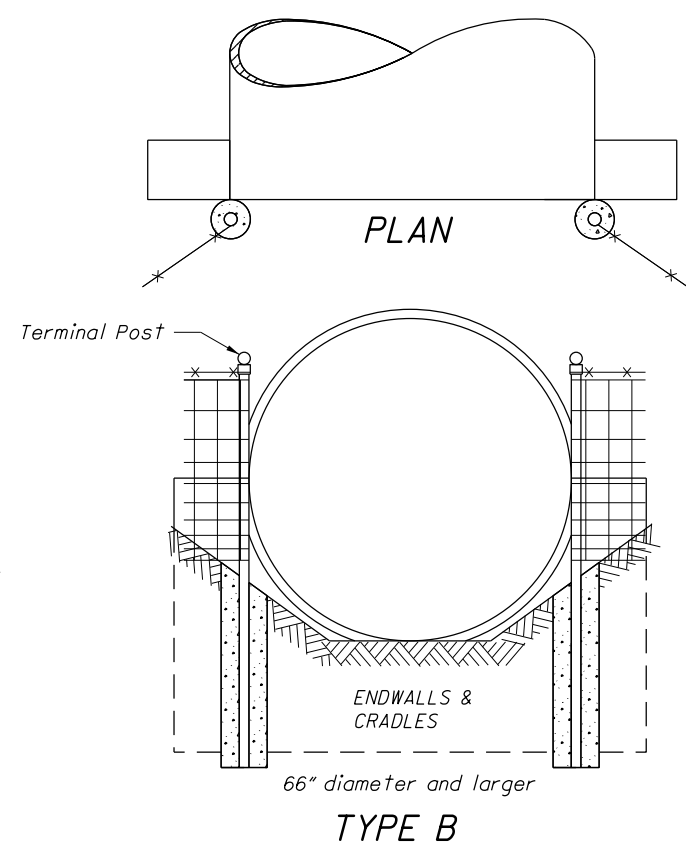
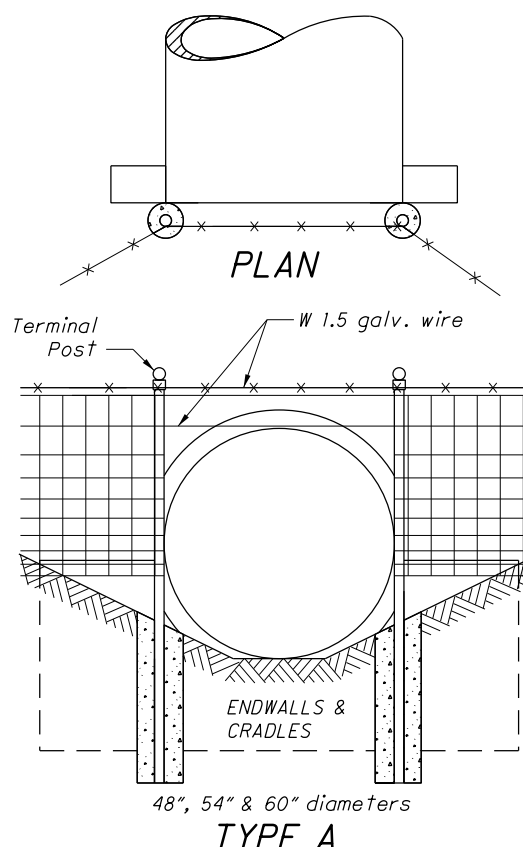
66" [1650] diameter and larger
TYPE B



SECTION A-A
TYPE C

ELEVATION
TYPE D

WALL CONNECTION



NOTES

FENCE TYPE: Fence terminals shown on this drawing apply to Type 47 fence as detailed, however, the same designs may be used in the construction of all types of fence if modified for differences in basic design such as anchor assembly, height of fence, length of panel, or any other variance that would affect the terminal design. Cost of furnishing and installing connecting rods, eyebolts and anchors for wall connections shall be included in the unit price bid per foot of fence.

ANCHORS: Self-drilling anchors shall conform to CMS 712.01. Threaded steel inserts may be cast-in-place when the structure is constructed, instead of using self-drilling anchors.

EYEBOLT: The steel shall be in accordance with ASTM A 489, except that the bend test is waived. The eyebolt shall be galvanized in accordance with ASTM A 153.

