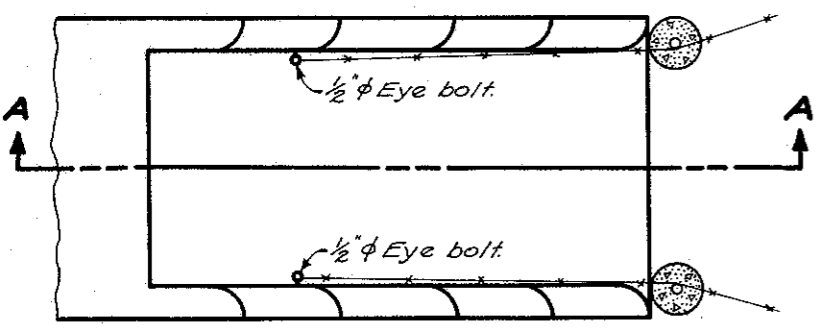
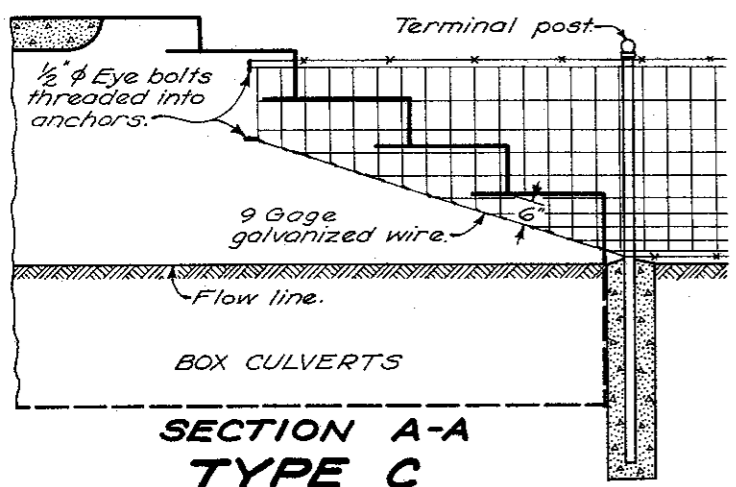


**TYPE A**

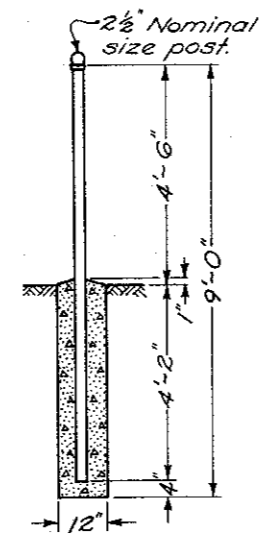
**TYPE B**



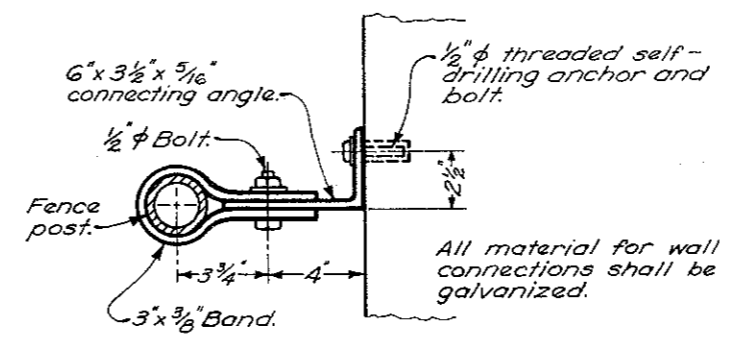
**PLAN**



**SECTION A-A  
TYPE C**

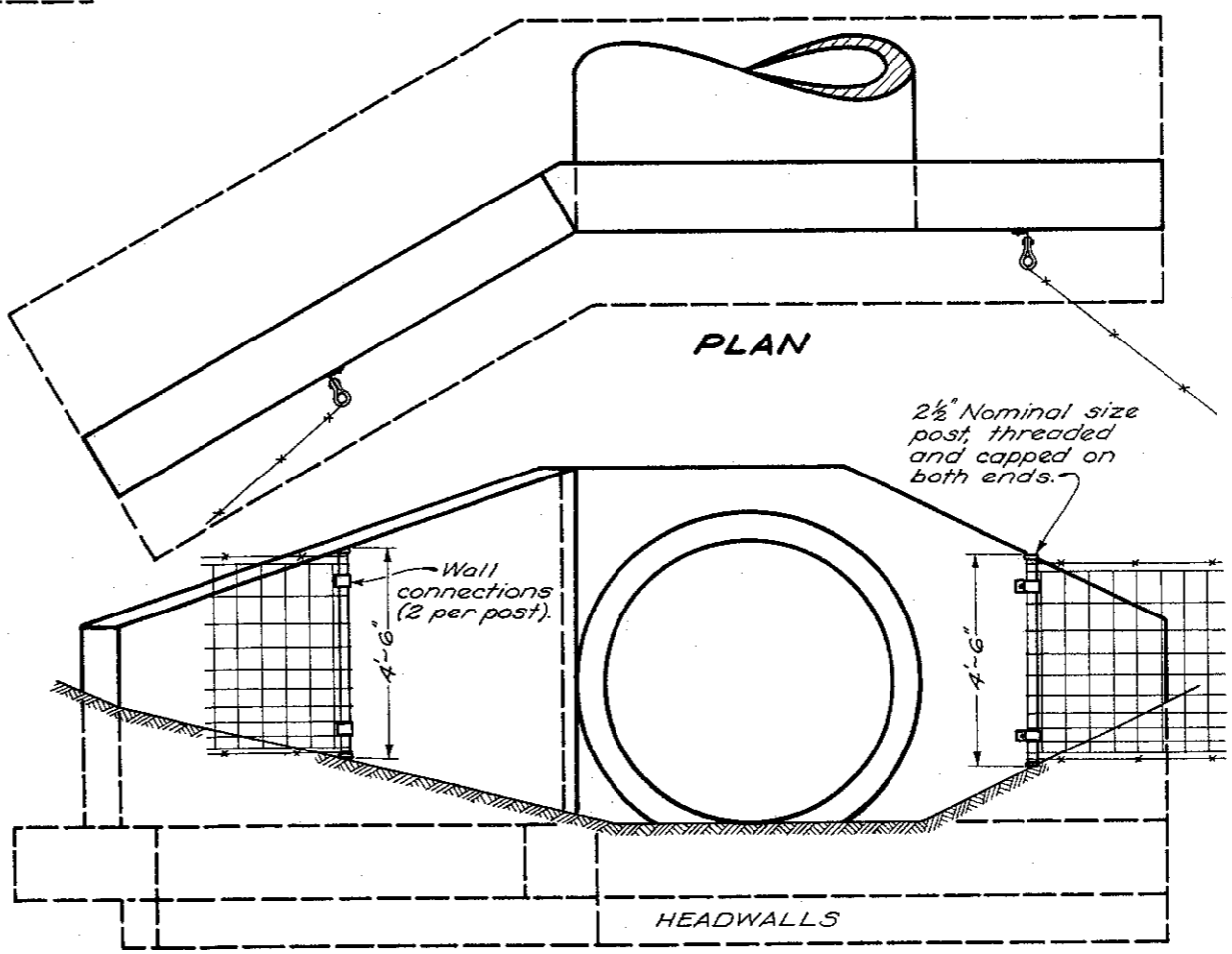


**TERMINAL  
POST**



**WALL CONNECTION**

**PLAN**



**TYPE D**

**NOTES**

**FENCE TYPE:** Fence terminals shown on this drawing apply to Type 47 fence as detailed, however, the same designs may be used in the construction of Type CL fence if modified because of differences in basic design such as anchor assembly, height of fence, length of panel, or any other variance which would affect the terminal design.

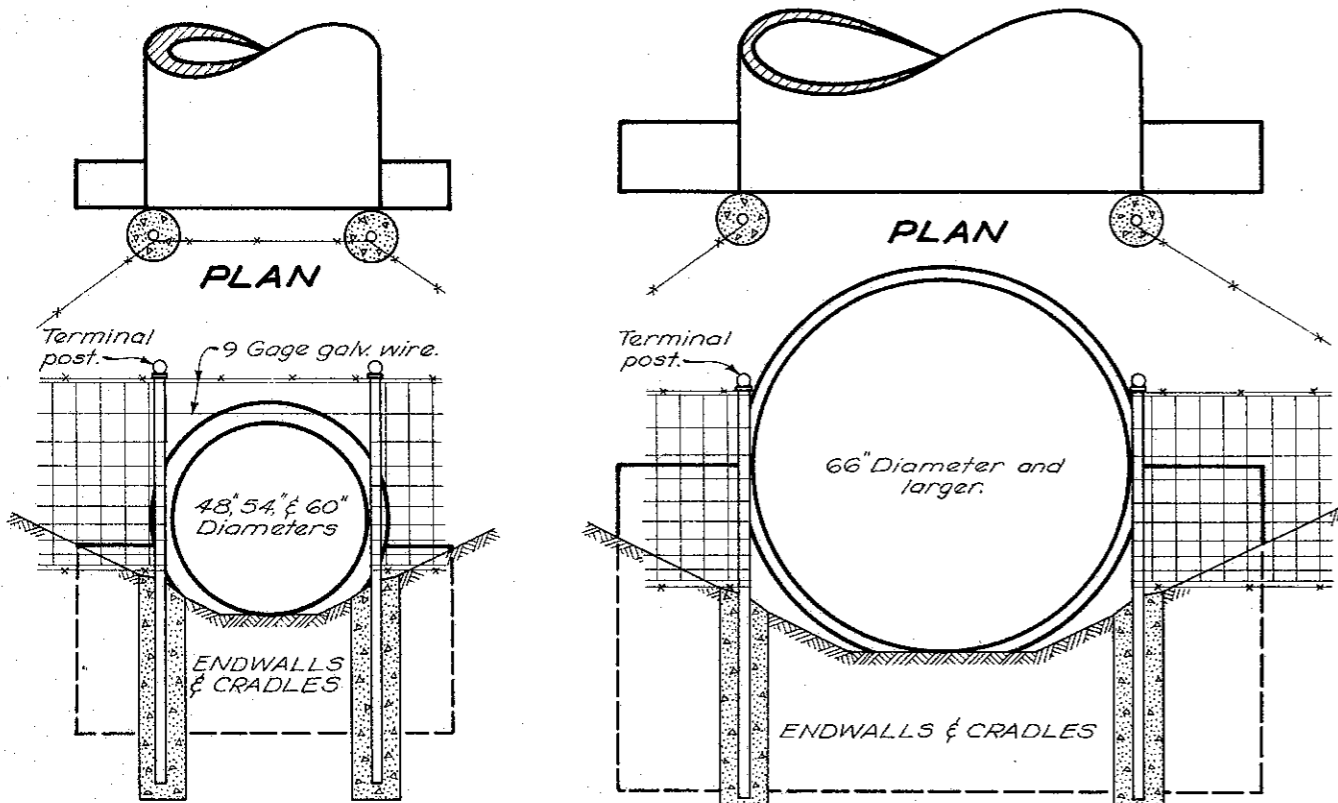
Cost of furnishing and installing connecting bands, angles, bolts, and anchors for wall connections shall be included in the unit price bid per lineal foot of fence.

**BARBED WIRE** shall not be installed below fence fabric unless required on adjacent fencing.

**ANCHORS:** Self-drilling anchors may be of the flush-end type or of the snap-off chuck-end type conforming to Federal Specification No. FF-S-325, Group III Type 1 (a) or (c).

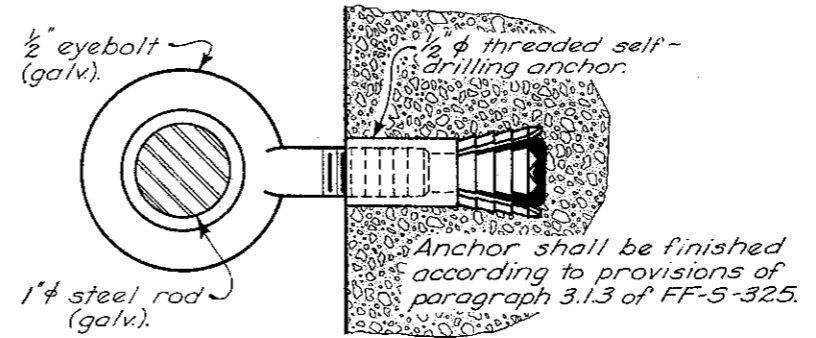
**CONCRETE:** The provisions of 511.13 are modified to the extent that Class E concrete shall be protected during the curing period in a manner such that it will not freeze.

BUREAU OF LOCATION AND DESIGN OHIO DEPARTMENT OF HIGHWAYS	
<b>FENCE TERMINALS</b>	
STANDARD CONSTRUCTION DRAWING	<b>F-5</b>
APPROVED <i>[Signature]</i> ENGR. L. & D.	
DATE 10-1-66	



**TYPE A**

**TYPE B**



**WALL CONNECTION**

**NOTES**

**FENCE TYPE:** Fence terminals shown on this drawing apply to Type 47 fence as detailed; however, the same designs may be used in the construction of Type CL fence if modified because of differences in basic design such as anchor assembly, height of fence, length of panel, or any other variance which would affect the terminal design.

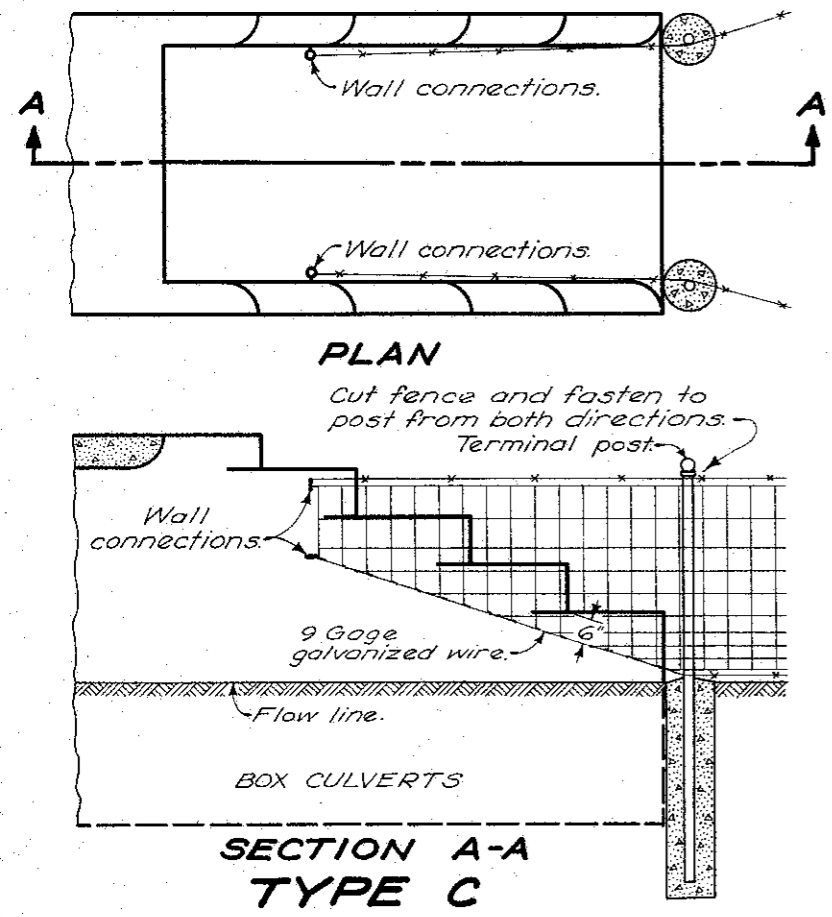
Cost of furnishing and installing connecting rods, eyebolts and anchors for wall connections shall be included in the unit price bid per lineal foot of fence.

**BARBED WIRE** shall not be installed below fence fabric unless required on adjacent fencing.

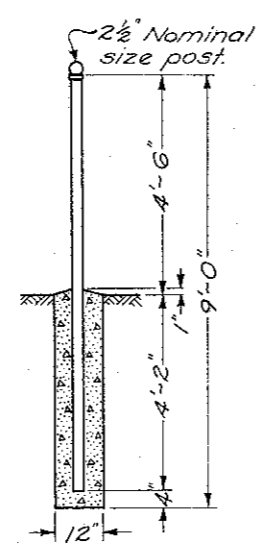
**ANCHORS:** Self-drilling anchors may be of the flush-end type or of the snap-off chuck-end type conforming to Federal Specification No. FF-5-325, Group III Type 1 (a) or (c).

**CONCRETE:** The provisions of 511.13 are modified to the extent that Class E concrete shall be protected during the curing period in a manner such that it will not freeze.

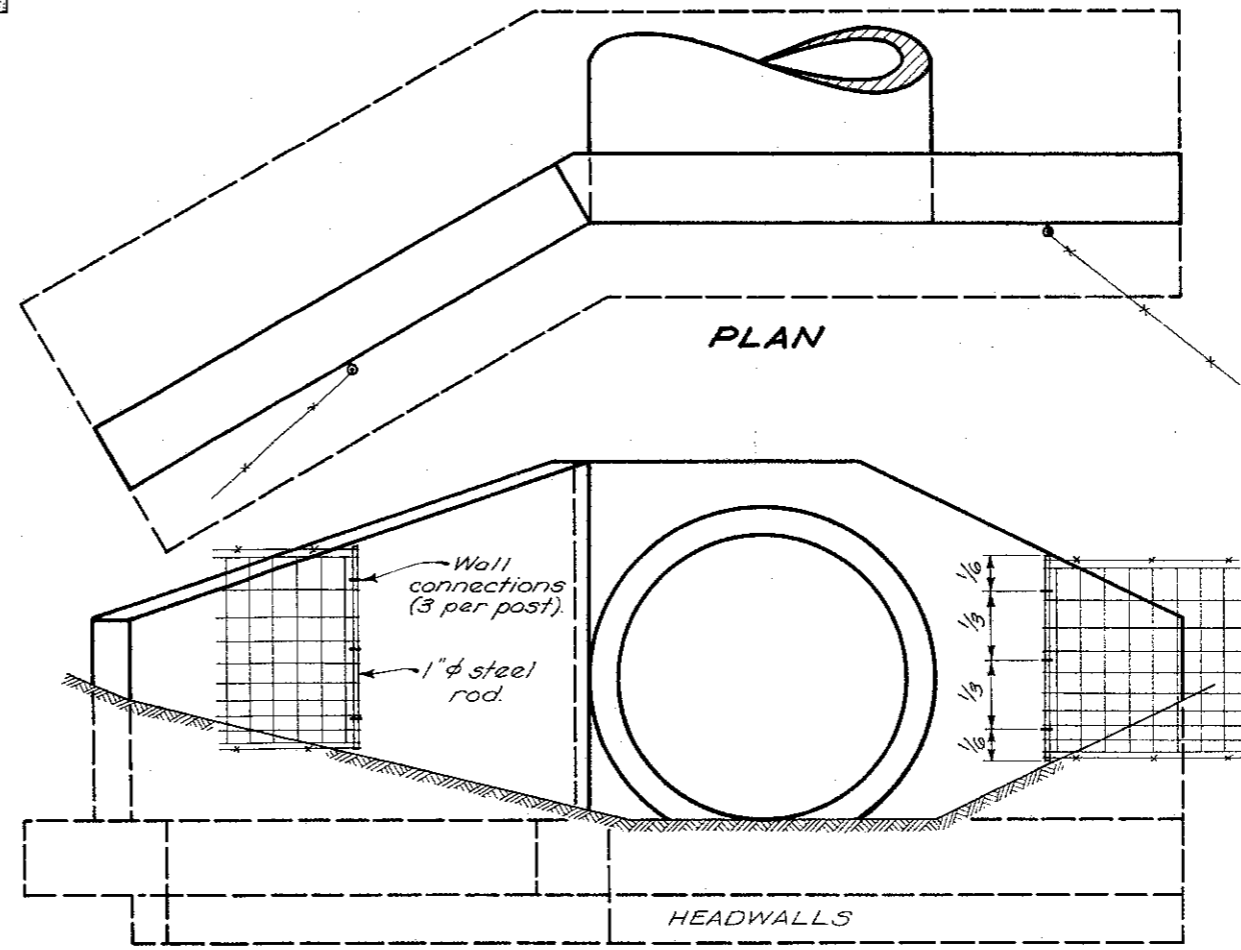
**EYEBOLT:** Eyebolts shall conform with ASTM A 489, except that finish shall be hot dipped galvanized in accordance with ASTM A 153.



**SECTION A-A  
TYPE C**



**TERMINAL POST**



**TYPE D**

BUREAU OF LOCATION AND DESIGN OHIO DEPARTMENT OF HIGHWAYS	
<b>FENCE TERMINALS</b>	
STANDARD CONSTRUCTION DRAWING	<b>F-5</b>
APPROVED: <i>[Signature]</i>	ENGR. L. & D.
DATE 10-1-66 2-20-66	

**NOTES**

**FENCE TYPE:** Fence terminals shown on this drawing apply to Type 47 fence as detailed, however, the same designs may be used in the construction of Type CL fence if modified because of differences in basic design such as anchor assembly, height of fence, length of panel, or any other variance which would affect the terminal design.

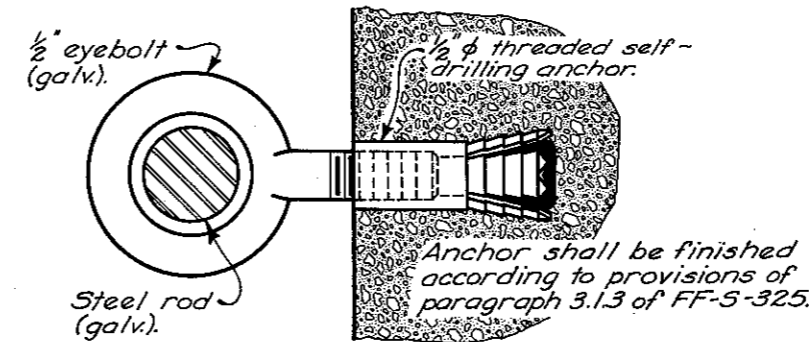
Cost of furnishing and installing connecting rods, eyebolts and anchors for wall connections shall be included in the unit price bid per lineal foot of fence.

**BARBED WIRE** shall not be installed below fence fabric unless required on adjacent fencing.

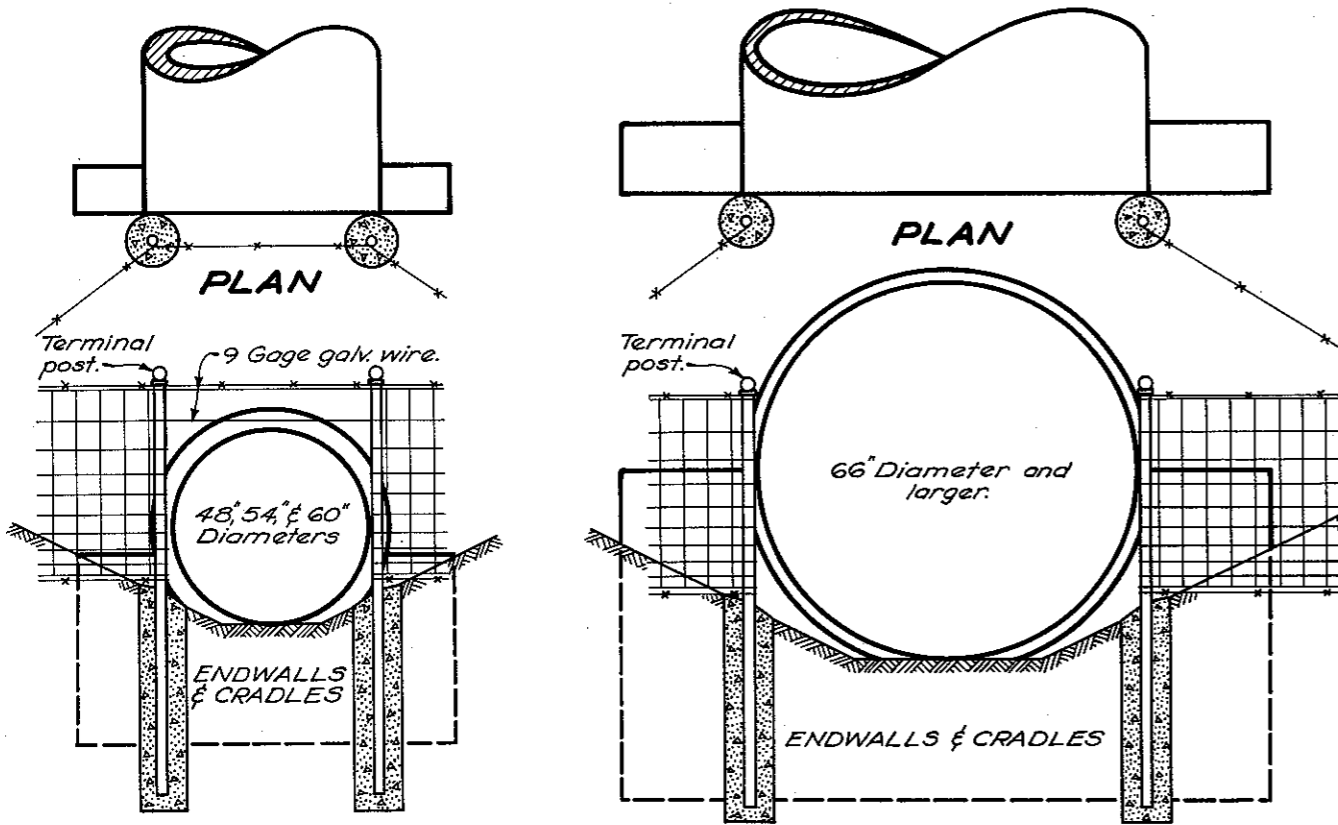
**ANCHORS:** Self-drilling anchors may be of the flush-end type or of the snap-off chuck-end type conforming to Federal Specification No. FF-5-325, Group III Type 1 (a) or (c).

**CONCRETE:** The provisions of 511.13 are modified to the extent that Class C concrete shall be protected during the curing period in a manner such that it will not freeze.

**EYEBOLT:** Eyebolts shall conform with ASTM A 489, except that the bend test is waived, and finish shall be hot dipped galvanized in accordance with ASTM A153.

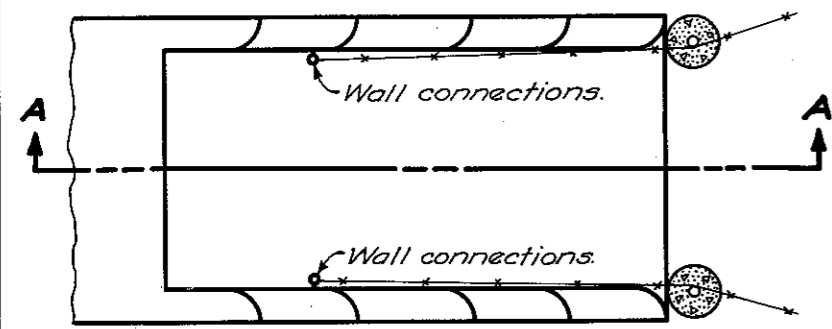


**WALL CONNECTION**



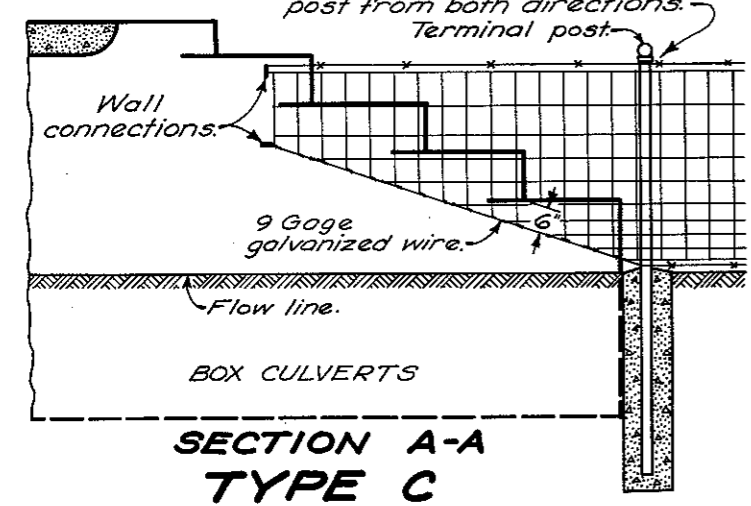
**TYPE A**

**TYPE B**

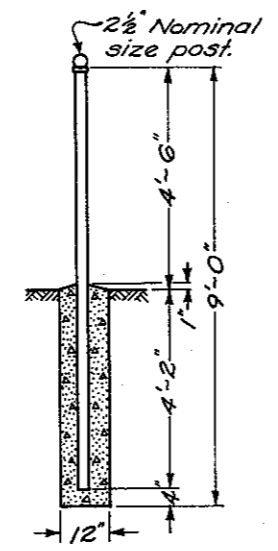


**PLAN**

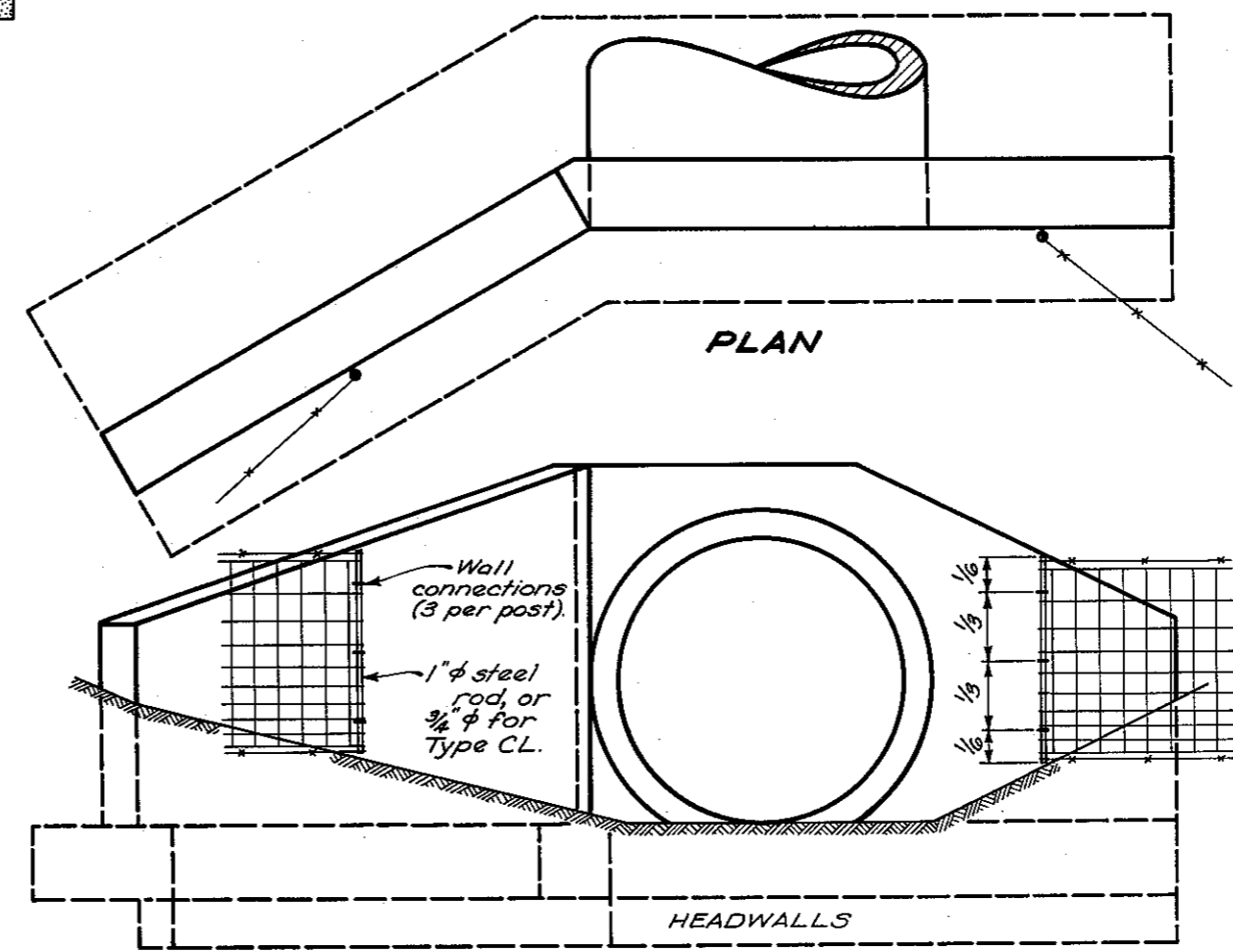
Cut fence and fasten to post from both directions.  
Terminal post.



**SECTION A-A  
TYPE C**



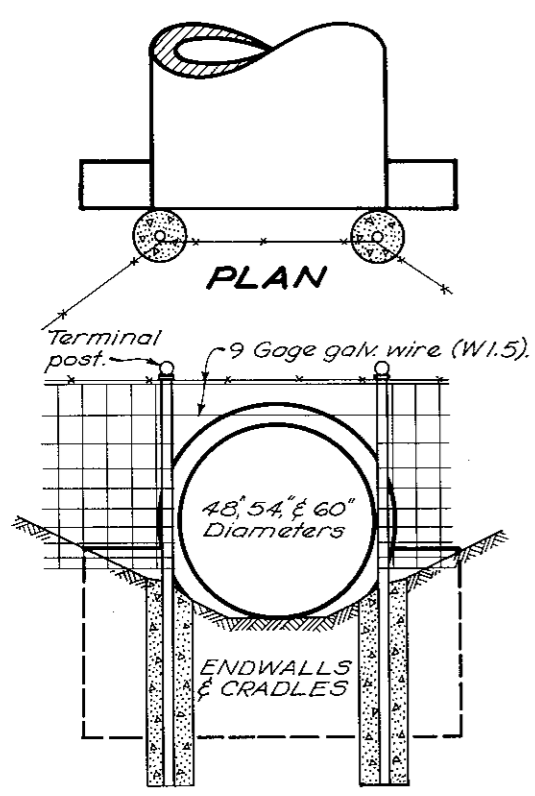
**TERMINAL POST**



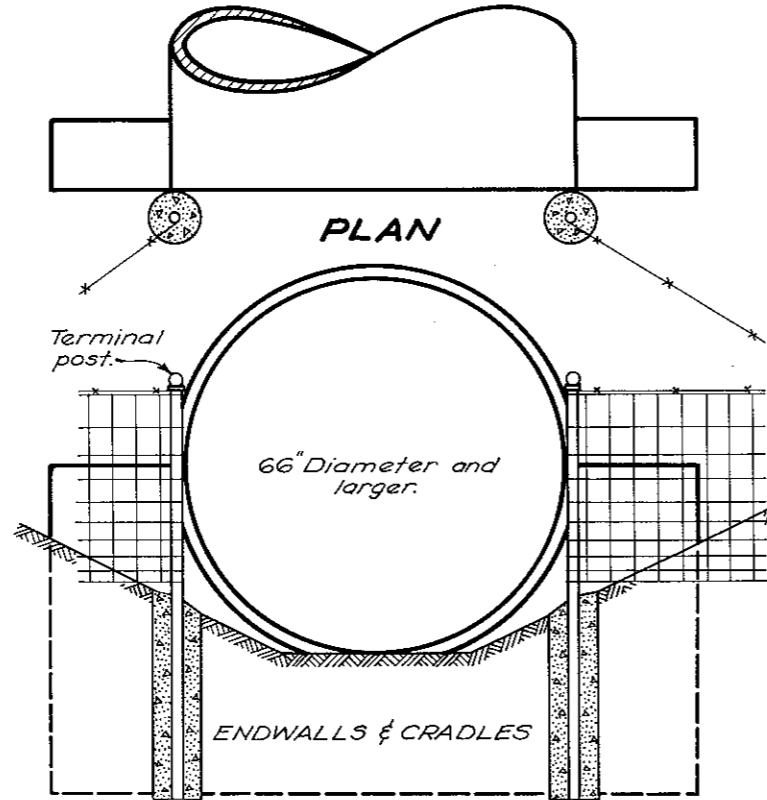
**TYPE D**

BUREAU OF LOCATION AND DESIGN  
OHIO DEPARTMENT OF HIGHWAYS

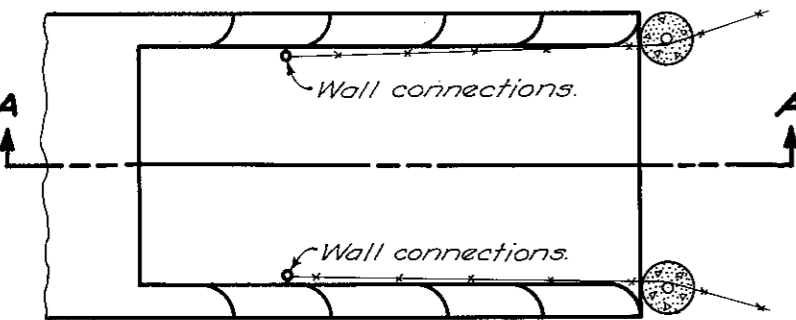
<b>FENCE TERMINALS</b>		DATE 10-1-66 2-20-68 3-10-69
STANDARD CONSTRUCTION DRAWING	<b>F-5</b>	
APPROVED <i>[Signature]</i> ENGR. L. & D.		



**TYPE A**

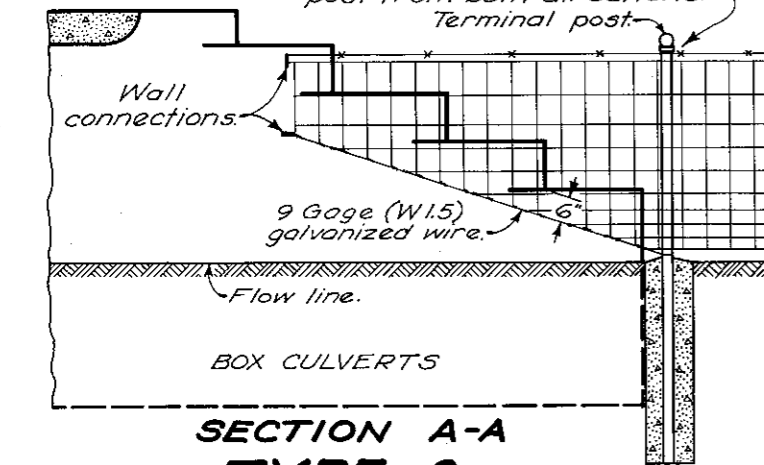


**TYPE B**

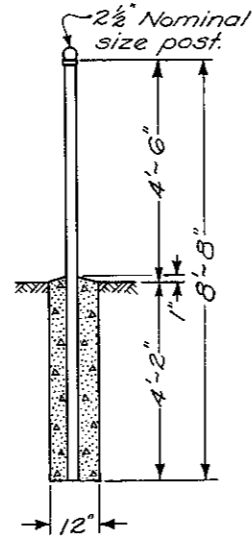


**PLAN**

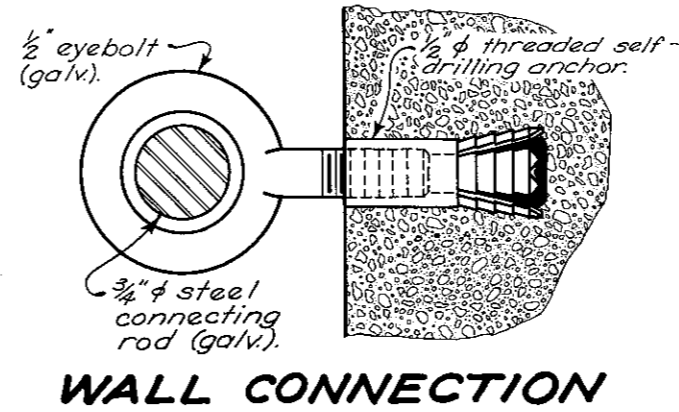
Cut fence and fasten to post from both directions.  
Terminal post.



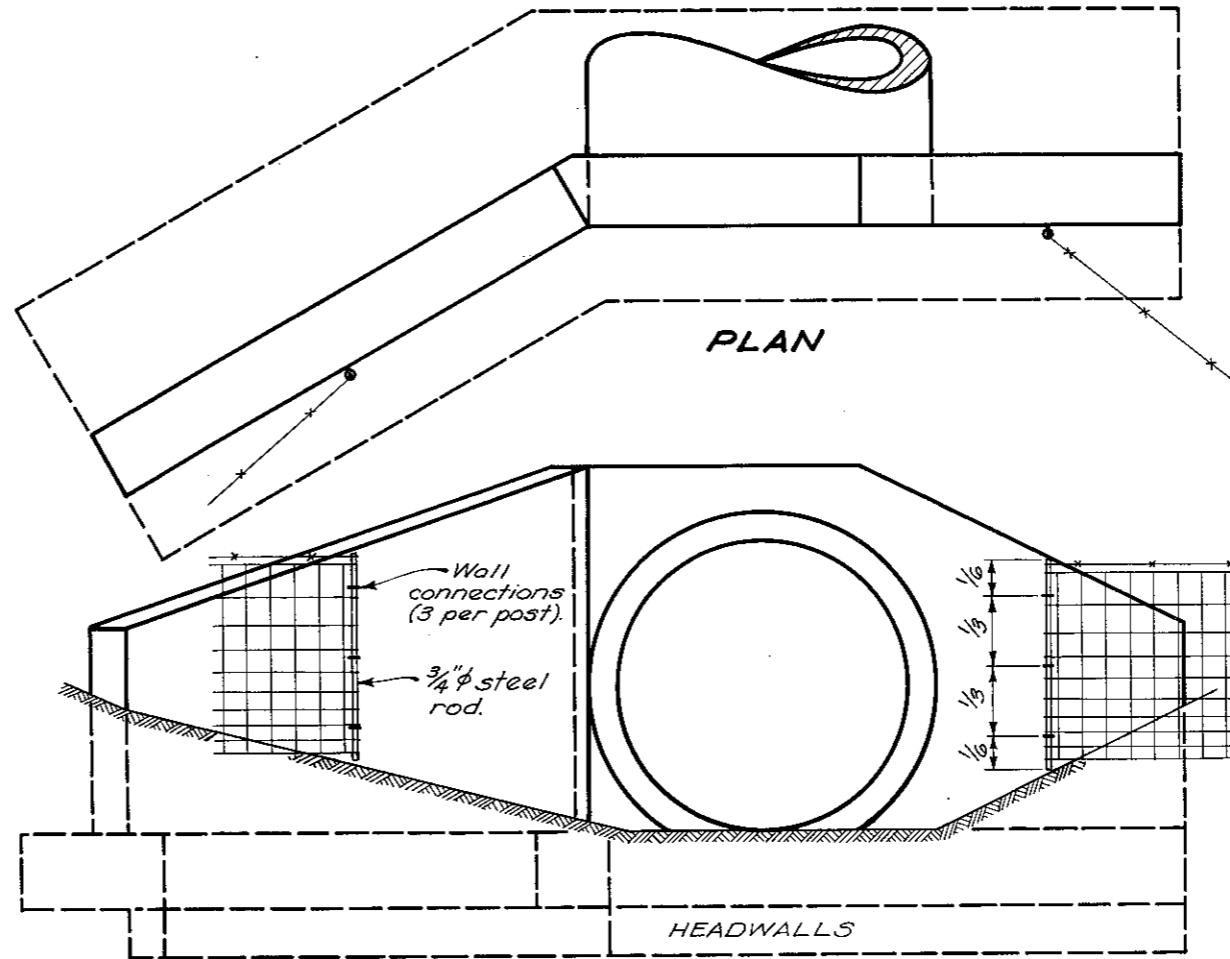
**SECTION A-A  
TYPE C**



**TERMINAL POST**



**WALL CONNECTION**



**TYPE D**

**NOTES**

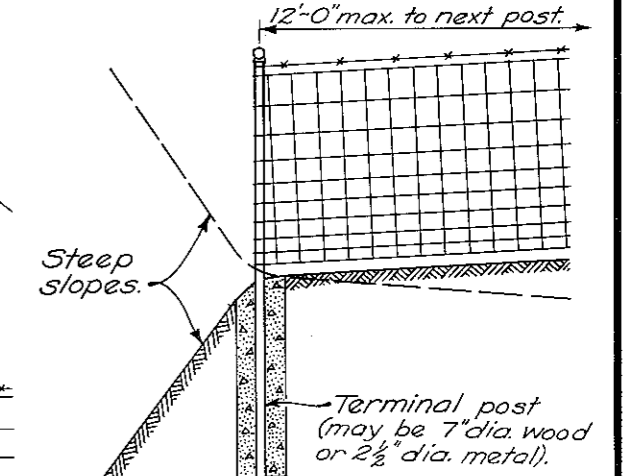
**FENCE TYPE:** Fence terminals shown on this drawing apply to Type 47 fence as detailed, however, the same designs may be used in the construction of all types of fence if modified because of differences in basic design such as anchor assembly, height of fence, length of panel, or any other variance which would affect the terminal design.

Cost of furnishing and installing connecting rods, eyebolts and anchors for wall connections shall be included in the unit price bid per linear foot of fence.

**ANCHORS:** Self-drilling anchors shall conform to 712.01. Threaded steel inserts may be placed in the wet concrete when the structure is constructed, instead of using self-drilling anchors.

**CONCRETE:** The provisions of 511.12 are modified to the extent that Class C concrete shall be protected during the curing period in a manner such that it will not freeze.

**EYEBOLT:** Eyebolts shall conform with ASTM A 489, except that the bend test is waived, and finish shall be hot dipped galvanized in accordance with ASTM A153.



**TYPE E**

BUREAU OF ROADWAY DESIGN  
OHIO DEPARTMENT OF TRANSPORTATION

**FENCE TERMINALS**

STANDARD CONSTRUCTION DRAWING F-5  
APPROVED *[Signature]* ENGR., R.D.

DATE  
10-11-66  
2-20-68  
3-10-69  
5-1-76