

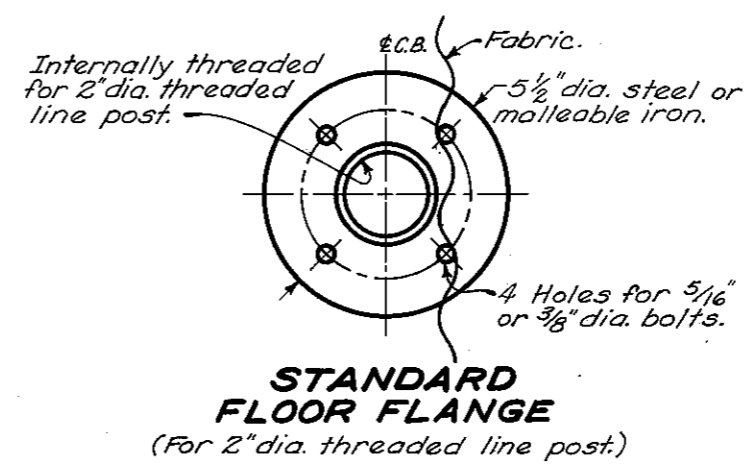
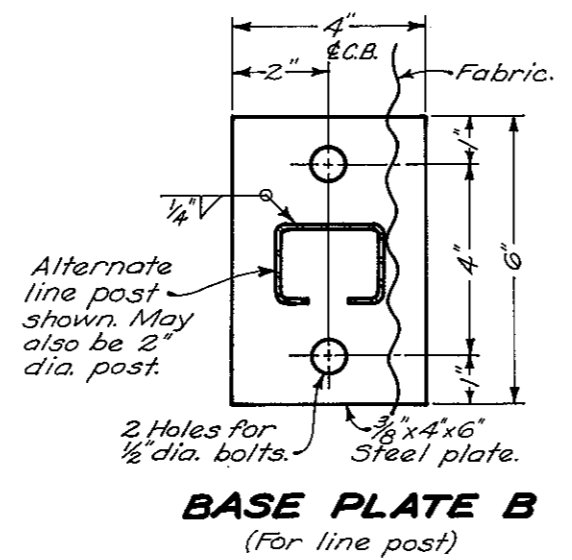
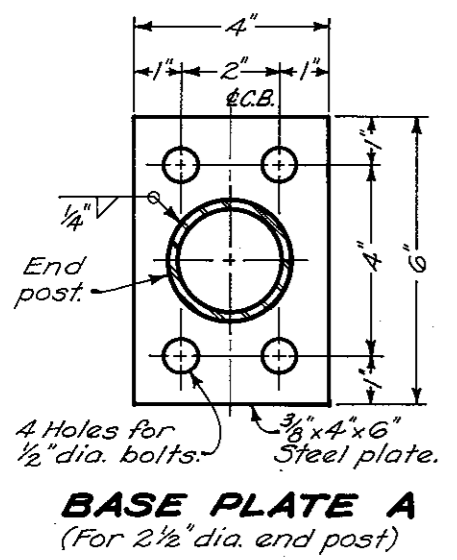
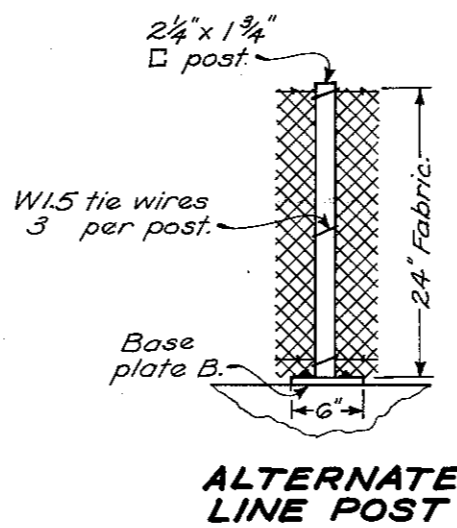
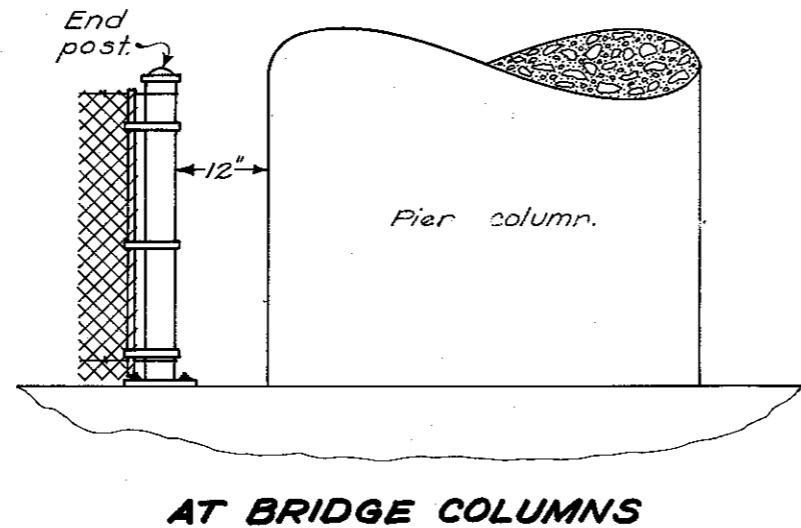
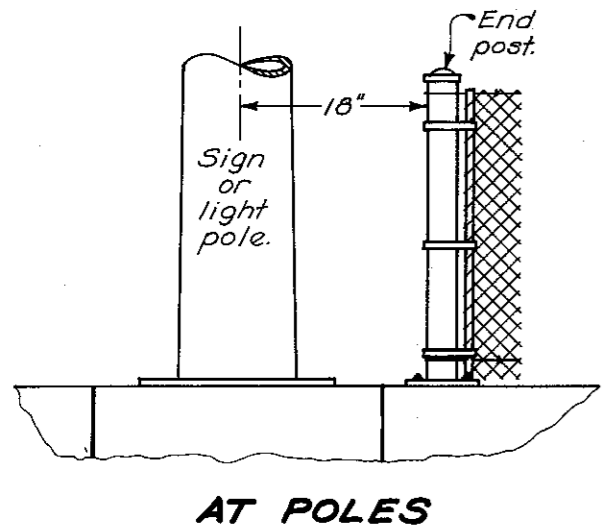
NOTES

PAYMENT for Item 607 "Fence, Type CLT for glare screen," shall include all materials and labor. Measurement shall be according to 607.10. Deductions shall be made for any gaps due to sign supports, light poles or pier columns. Glare screen shall not be constructed between pier columns of a bridge unless required elsewhere in the plan.

FABRIC: The chain link glare screen fabric shall be one inch mesh with a knuckled selvage on both top and bottom. Fabric shall be aluminum coated or vinyl coated in accordance with 710.03.

GALVANIZING: All metal parts and fittings not coated with aluminum or vinyl shall be galvanized after fabrication in accordance with ASTM A-123 or A-153, whichever may apply.

BASE PLATES and floor flanges shall be anchored to the concrete barrier with bolts of required diameter and expansion shield anchors per 712.01, or meeting FF-5-325 Group II, Type 4, Class 1 or 2, or Group VIII, Type 1 with certification of proof load per 712.01. Also permitted are bolts of required diameter and 4" minimum embedment, placed in the fresh concrete or grouted in drilled holes.



BUREAU OF LOCATION AND DESIGN
OHIO DEPARTMENT OF TRANSPORTATION

DATE 11-1-77

CHAIN LINK GLARE SCREEN

STANDARD CONSTRUCTION DRAWING F-7

APPROVED *W. Cunningham* ENGR., L. & D.