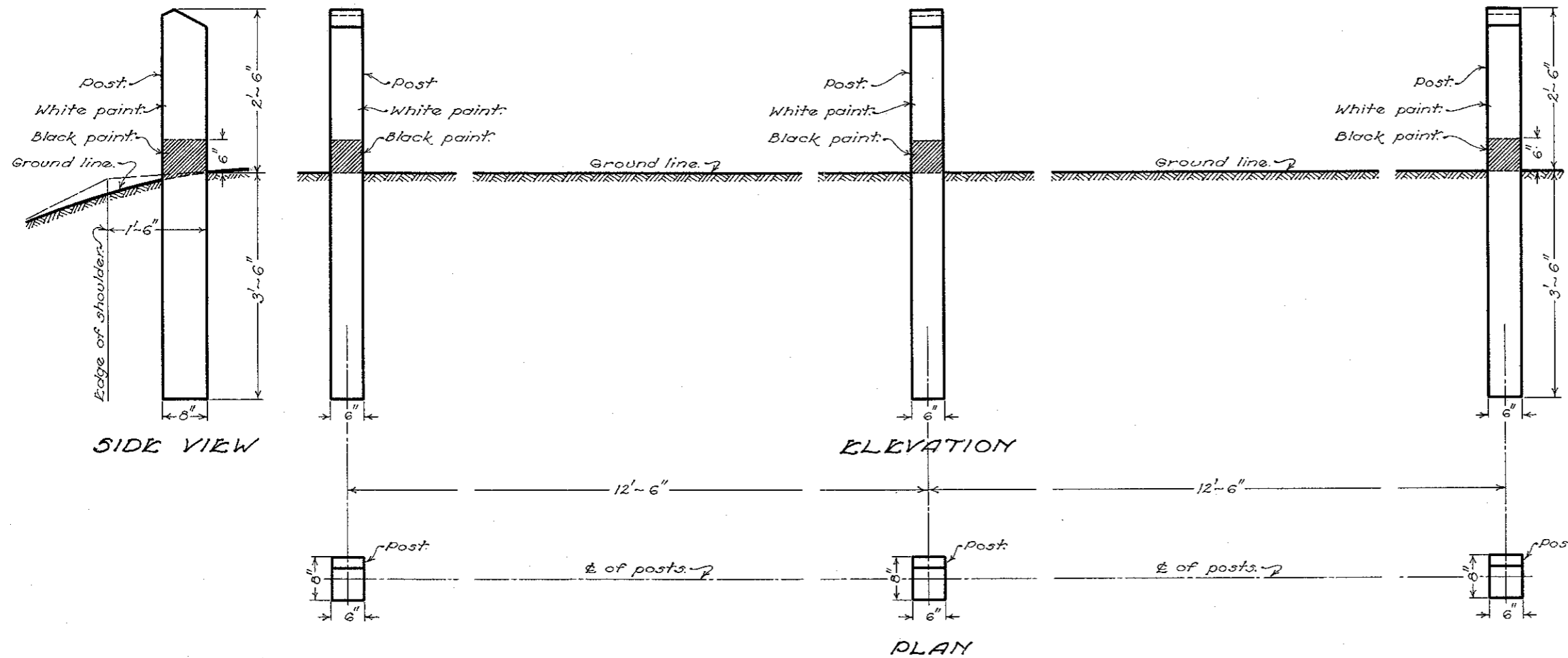


# STANDARD GUARD RAIL POST ALIGNMENT



## NOTES

**GENERAL:**—Guard rail post details hereon are shown to depict various requirements of the Standard Construction and Material Specifications. These details and notes are to supplement the Specifications. In furnishing and erecting guard rail posts this drawing and the Specifications should be used together. In case of conflict this drawing shall govern.

**POSTS** shall conform to the requirements of the Construction and Material Specifications Sec. I-15.09. Posts shall be 6" x 8" sawed, or round posts 7" minimum to 9" maximum top diameter and 7" minimum to 10" maximum bottom diameter. When so specified posts shall be 6" x 6" sawed, or round posts 6" minimum to 8" maximum top diameter and 7" minimum to 10" maximum bottom diameter. Sawed posts shall be free from wane above the ground line. Wane below the ground line shall be limited to two adjacent corners and shall not exceed 1/2 inches measured along the wane.

All posts shall be spaced 12'-6" unless otherwise specified.

On curves having radii less than 600' they shall be spaced as called for in the Specifications.

Spacing shall be measured along the face of the post.

Tops of posts shall be trimmed after posts are set.

**PAINTING:**—Creosote treatment and painting shall be done in accordance with the pertinent sections of the Specifications:—

Butt treatment, lower 4', Sec. M-8.7.

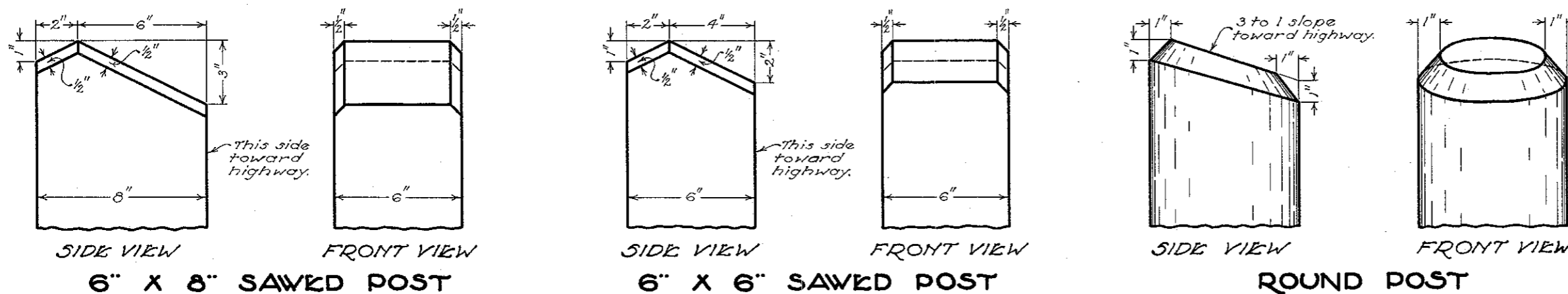
Painting, Sec. I-15.10 and Sec. 5-8.07.

White prime coat, upper 2', Sec. M-9.7.

White finish coats, two, upper 2', Sec. M-9.6.

Black coat, one, 6" band above ground line, Sec. M-9.8.

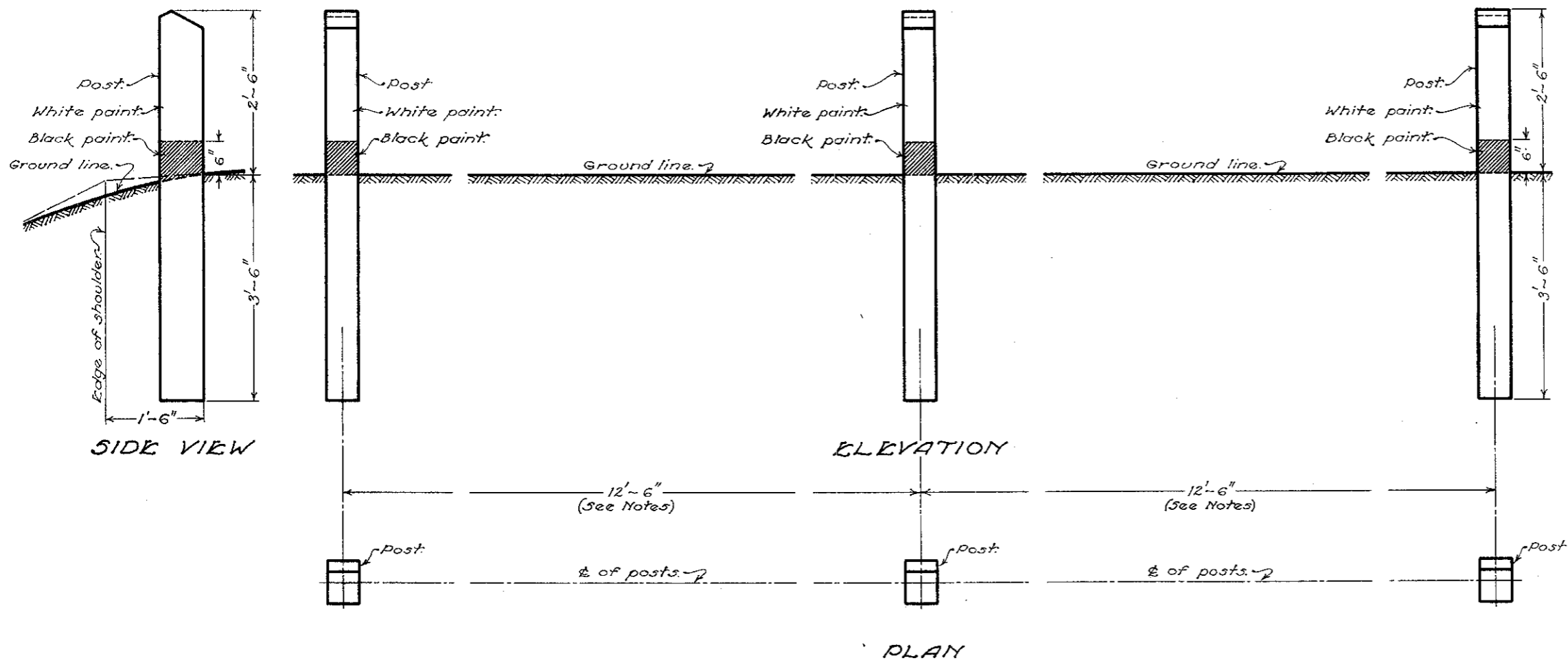
## TOPS OF POSTS



BUREAU OF LOCATION & RIGHT OF WAY OHIO DEPARTMENT OF HIGHWAYS		DATE: 3-10-42
<b>GUARD RAIL</b>		
STANDARD CONSTRUCTION DRAWING	I-15 No. 8	
APPROVED <i>M.D.S.</i> CHIEF ENGINEER		

# STANDARD WOOD GUARD RAIL POSTS WITHOUT RAIL

## POST ALIGNMENT



### NOTES

**GENERAL:**—Guard rail post details shown hereon shall be used when guard rail posts only are specified on the plans or proposals.

**POSTS** shall conform to the requirements of the Construction and Material Specifications.

Posts shall be 6"x8" sawed or round posts. When so specified posts shall be 6"x6" sawed.

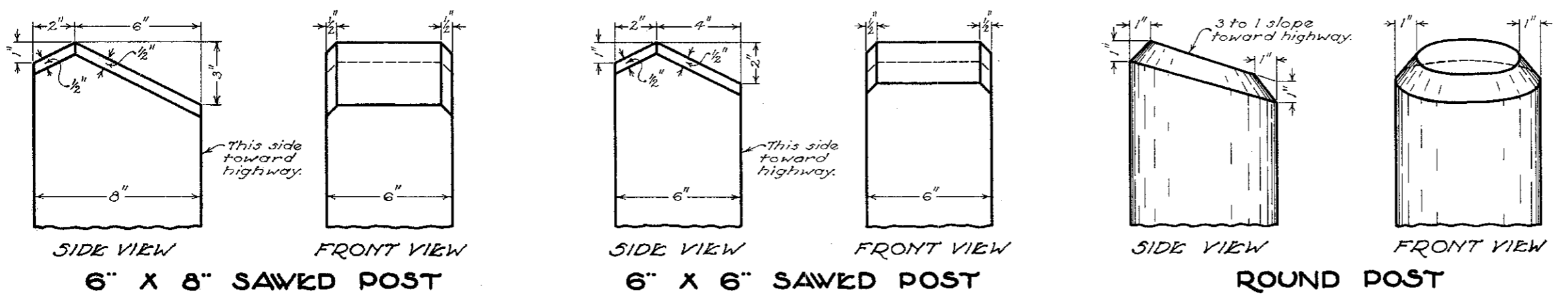
All posts shall be spaced 12'-6" on centers, unless otherwise specified, measured along the face of the posts. Top of posts shall be trimmed after posts are set.

Posts shall be butt treated unless otherwise specified.

**PAINTING** shall be done in accordance with the pertinent sections of the Specifications governing guard rail posts.

White prime coat, upper 2 feet.  
 White finish coats, two, upper 2 feet.  
 Black coats, two, 6" band above ground line.

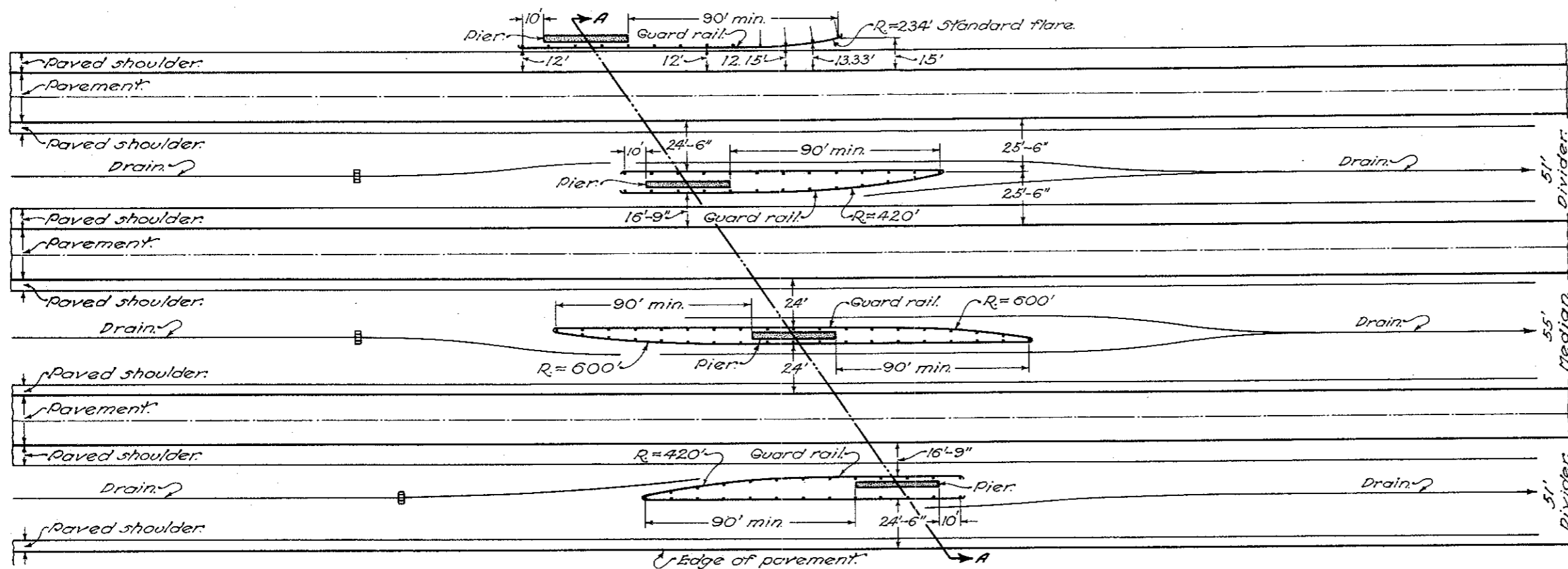
### TOPS OF POSTS



BUREAU OF LOCATION AND DESIGN OHIO DEPARTMENT OF HIGHWAYS	
<b>GUARD RAIL</b>	DATE: 3-10-42 2-1-47
STANDARD CONSTRUCTION DRAWING	I-15 No. 8
APPROVED: <i>[Signature]</i>	CHIEF ENGINEER

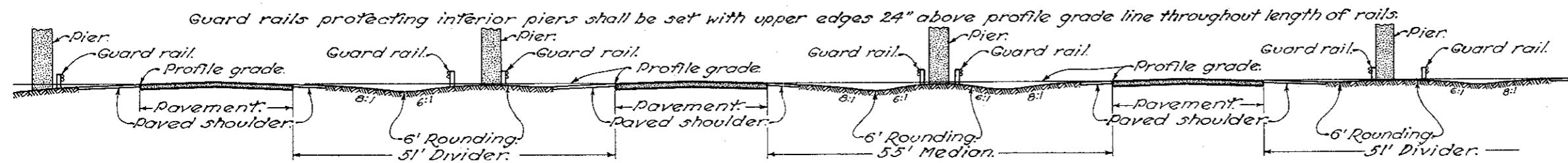
# GUARD RAIL PROTECTION

## EIGHT LANE DUAL DUAL HIGHWAY AT PIERS

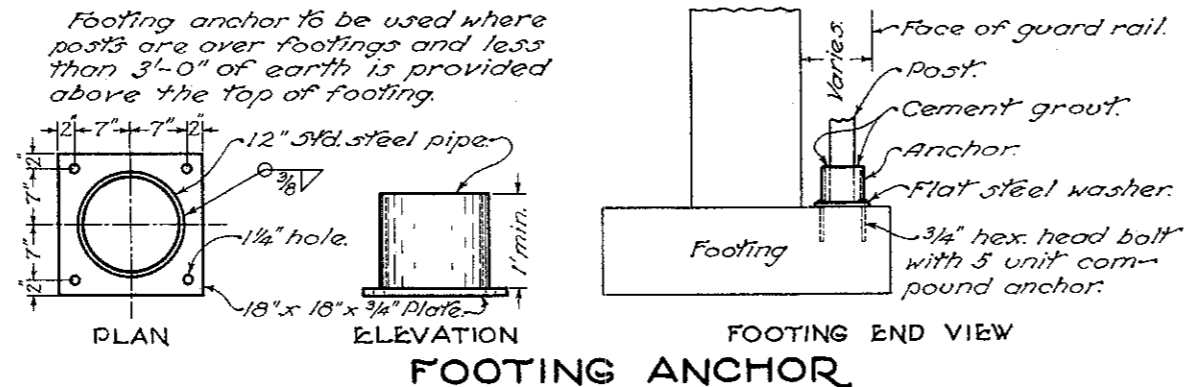


ARRANGEMENT OF GUARD RAIL AT PIER ON OUTSIDE OF OUTER LANES (NOT SHOWN) SHALL BE SIMILAR TO THAT SHOWN FOR OUTSIDE LANES ABOVE EXCEPT THAT DIRECTION SHALL BE REVERSED

PLAN



SECTION A-A



FOOTING ANCHOR

### NOTES

GENERAL:—Design details shown hereon shall govern the construction of guard rail at structures and piers unless otherwise shown on the plans.

BUREAU OF LOCATION AND DESIGN OHIO DEPARTMENT OF HIGHWAYS		DATE 12-9-57
<b>GUARD RAIL</b>		
STANDARD CONSTRUCTION DRAWING	I-15 No. 8	
APPROVED	ENGR. L. & D.	