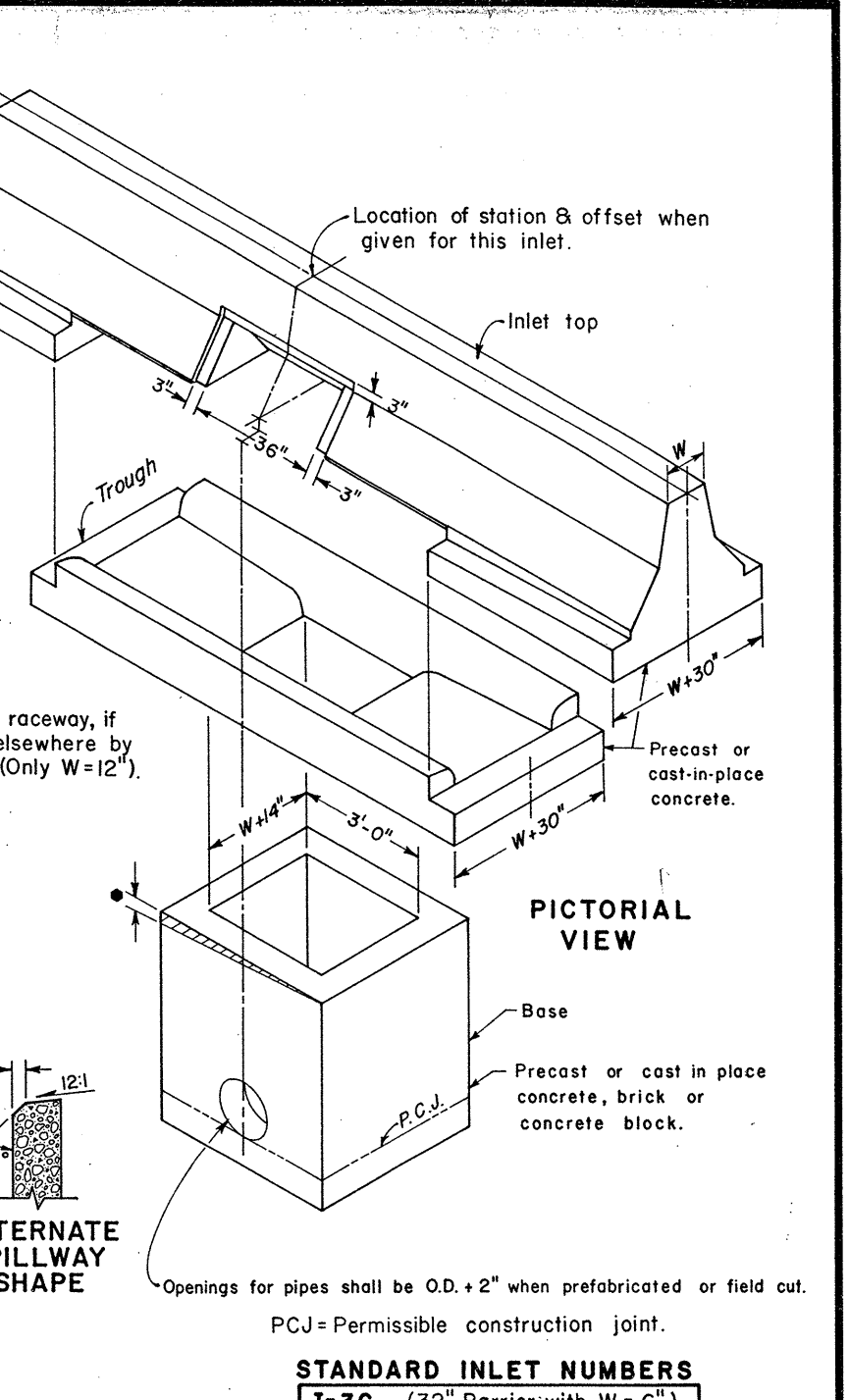
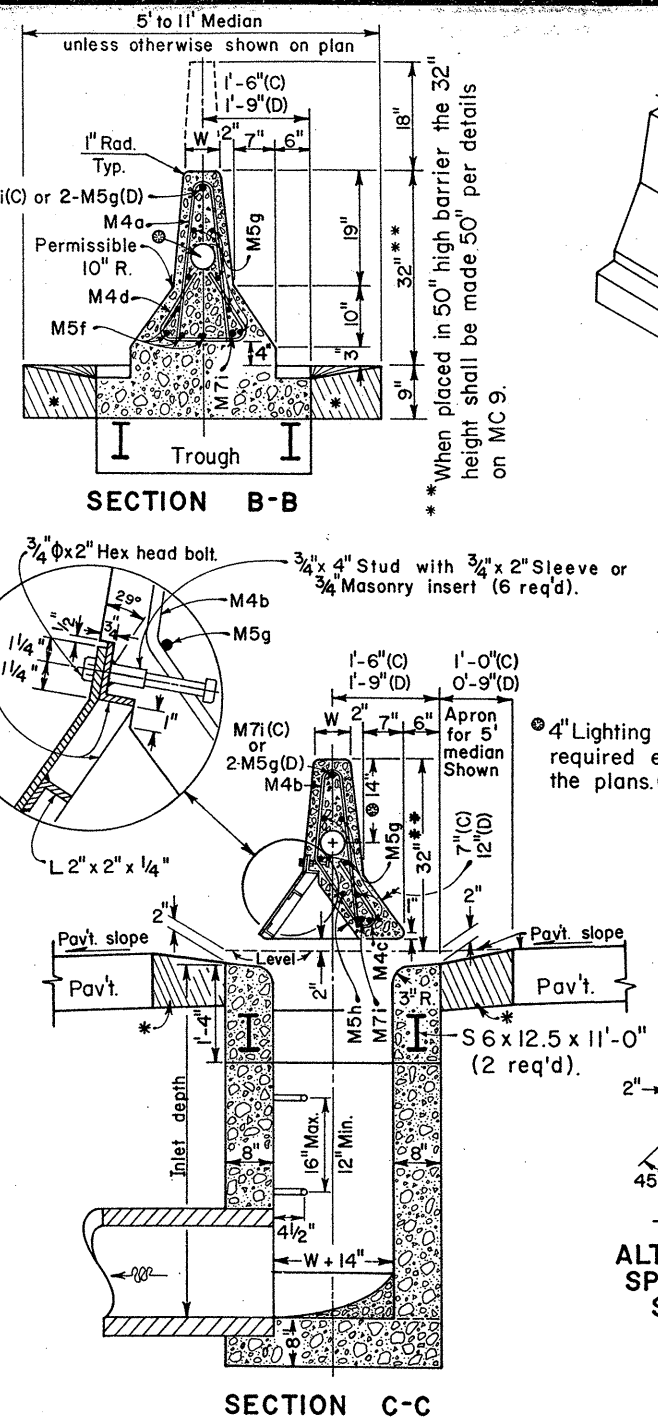


STEEL LIST				
Size	I-3C (W=6")		I-3D (W=12")	
	Bar	Ea. Lin. Ft.	Bar	Lin. Ft.
No. 4	M4a	10 4'-6"	10 5'-0"	
	M4b	5 4'-6"	5 5'-0"	
	M4c	5 2'-4"	5 3'-2"	
	M4d	10 3'-1"	10 4'-6"	
	M4e	2 2'-0"	2 2'-0"	
S6 x 12.5		2 11'-0"	2 11'-0"	
	M5f	8 8'-2"	8 8'-2"	
	M5g	6 19'-8"	8 19'-8"	
No. 5	M5h	1 5'-0"	1 5'-0"	
	M7i	2 19'-8"	1 19'-8"	



STANDARD INLET NUMBERS	
I-3C	(32" Barrier with W = 6")
I-3C50	(50" Barrier with W = 6")
I-3D	(32" Barrier with W = 12")
I-3D50	(50" Barrier with W = 12")

INLETS LESS THAN 12 FEET in depth shall have walls built of brick, concrete block, cast-in-place concrete or precast concrete. Walls shall be 8" nominal thickness except precast walls may have a minimum thickness of 6" and shall be reinforced sufficiently to permit shipping and handling without damage.

INLETS OVER 12 FEET in depth shall have precast or cast-in-place concrete walls and be reinforced with No.4 bars spaced on 12" centers both vertically and horizontally with 2" clearance from the inside wall face. Precast walls 6" min. thick.

CONCRETE, cast-in-place, to be class C. All precast concrete shall meet the requirements of 706.13 with 6 ± 2% air void content in the hardened concrete and be marked with the inlet number.

STEPS shall be provided where the depth exceeds 72" and shall meet the requirements of MH-1.

ACCESS DOOR: The steel door, frame and all inserts, shall be galvanized. The hex head bolts shall be stainless steel.

BUREAU OF LOCATION AND DESIGN
OHIO DEPARTMENT OF TRANSPORTATION

BARRIER
MEDIAN INLETS

4-1-80

STANDARD CONSTRUCTION DRAWING
I-3C & D

APPROVED *M. J. Cunningham* ENGR., L. & D.