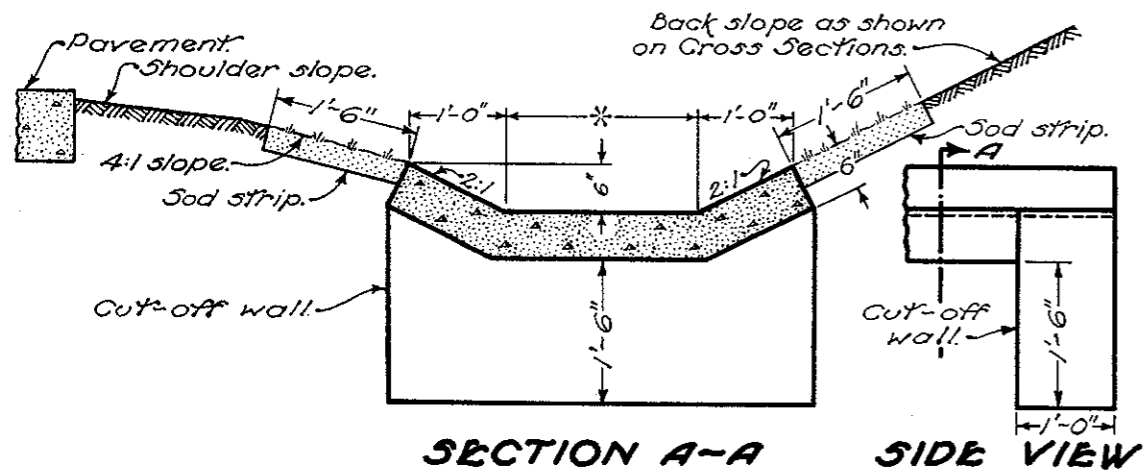
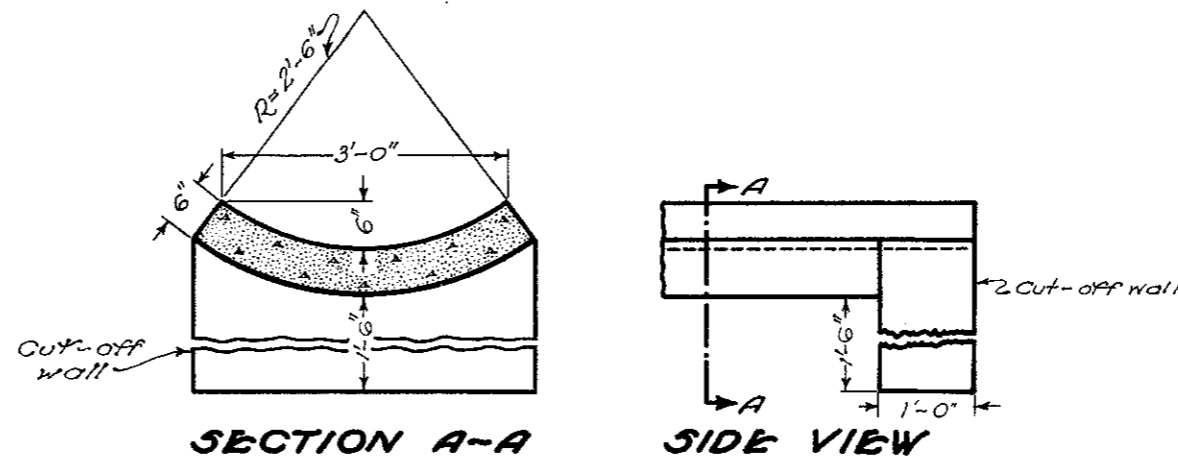


STANDARD PAVED GUTTERS



SECTION A-A SIDE VIEW

- TYPE 1-2 (* 2'-0")
- TYPE 1-4 (* 4'-0")
- TYPE 1-6 (* 6'-0")



SECTION A-A SIDE VIEW

TYPE 2

NOTES

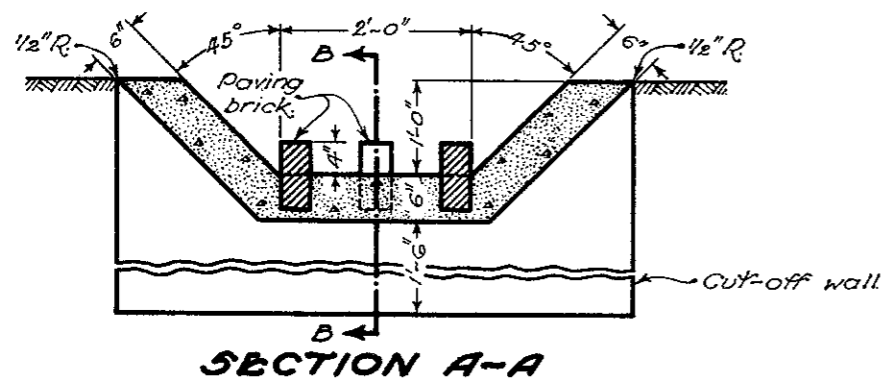
GENERAL - Gutters shall be constructed of Class E concrete, stone or brick.
 The thickness of the gutter shown hereon is for concrete construction. If stone or brick is used it shall be grout filled and the thickness of the gutter shall be increased to 8 inches minimum.

Type 3 Gutter with baffles may be used for steep slopes. Gutter blocks shall be new or used paving brick or precast concrete blocks of similar dimensions and shall be placed with the outside blocks in one row staggered with the center blocks at 12 inch centers longitudinally or as shown on the plan.

CONSTRUCTION - Concrete gutters shall have impressed contraction joints spaced at intervals of 10 feet unless otherwise specified.

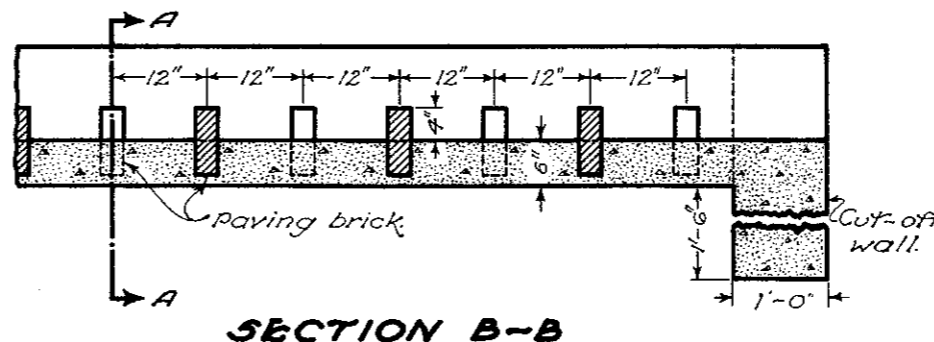
Concrete Cut-off walls shall be constructed at the beginning and end of each run of gutter except where the gutter connects with a catch basin or inlet. The cost of the cut-off walls is included in the unit price bid for gutter.

SOD - Installation and payment for sod shall be in accordance with 660.

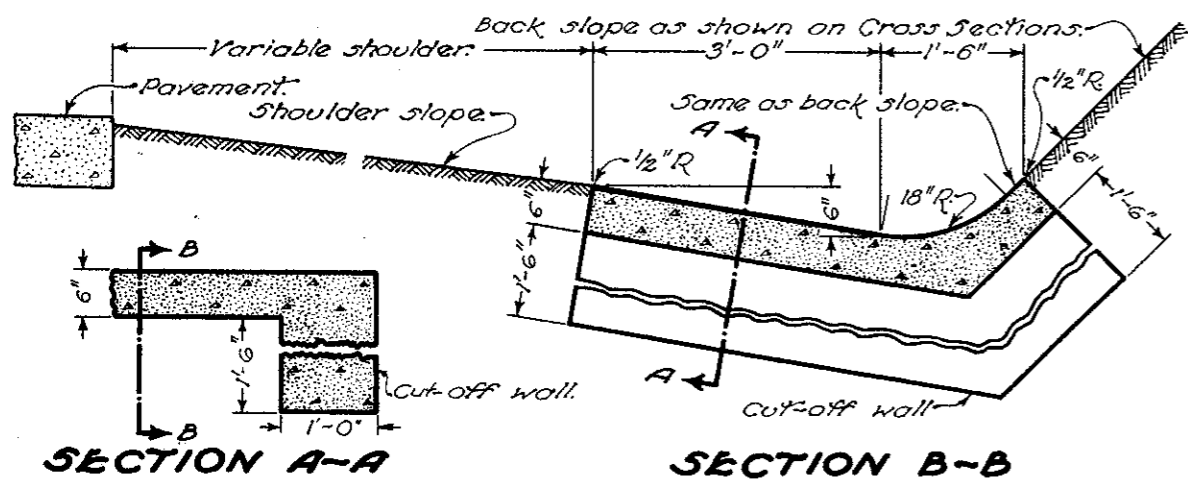


SECTION A-A

TYPE 3

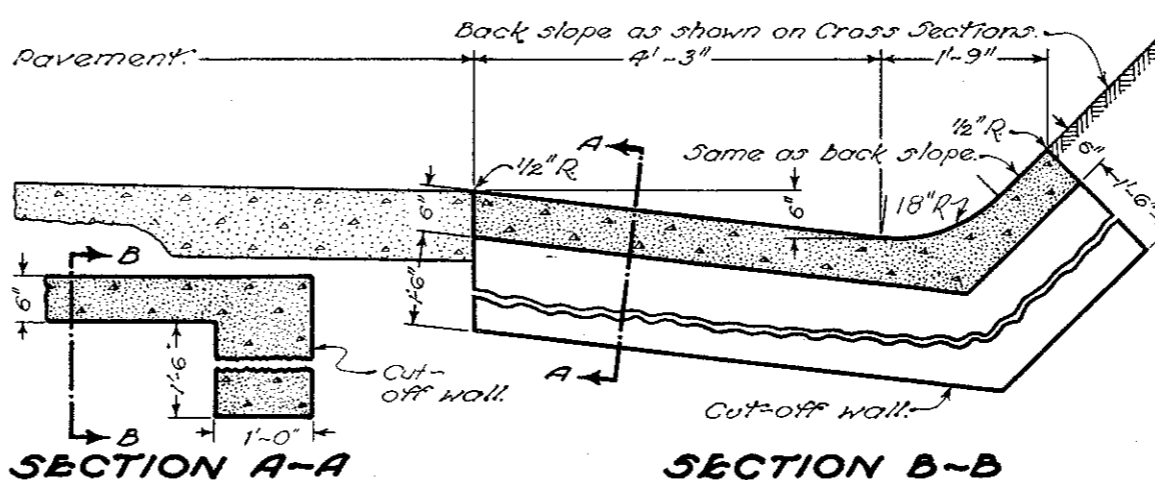


SECTION B-B



SECTION B-B

TYPE 4



SECTION A-A

SECTION B-B

TYPE 5

BUREAU OF LOCATION AND DESIGN
 OHIO DEPARTMENT OF HIGHWAYS

DATE
 6-1-'65

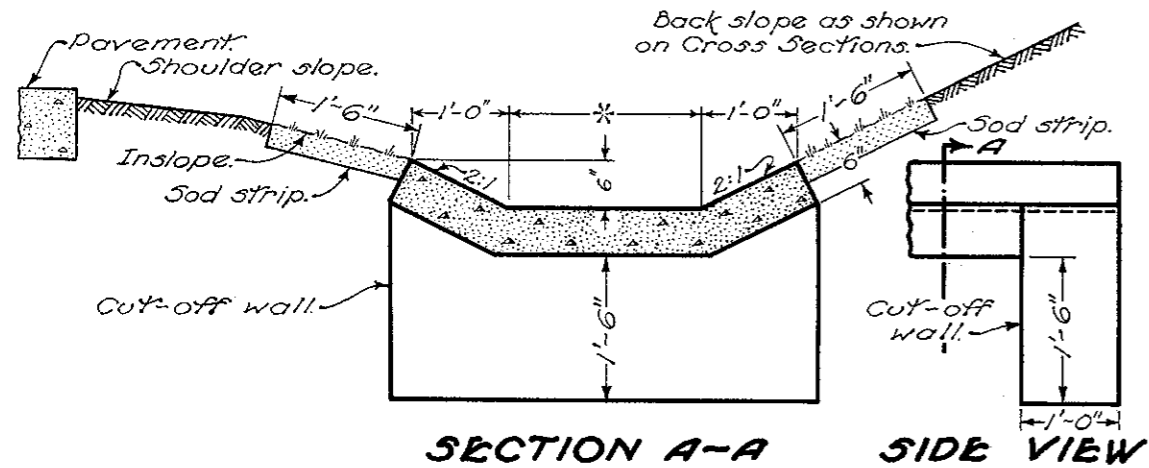
PAVED GUTTERS

STANDARD
 CONSTRUCTION
 DRAWING

MC-5

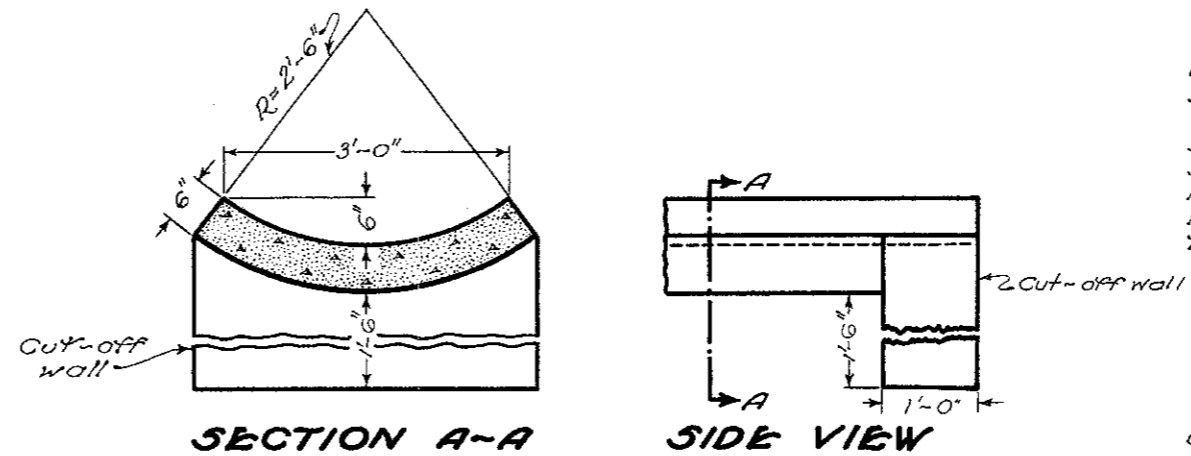
APPROVED *R.R. Little* ENGR. L. & D.

STANDARD PAVED GUTTERS



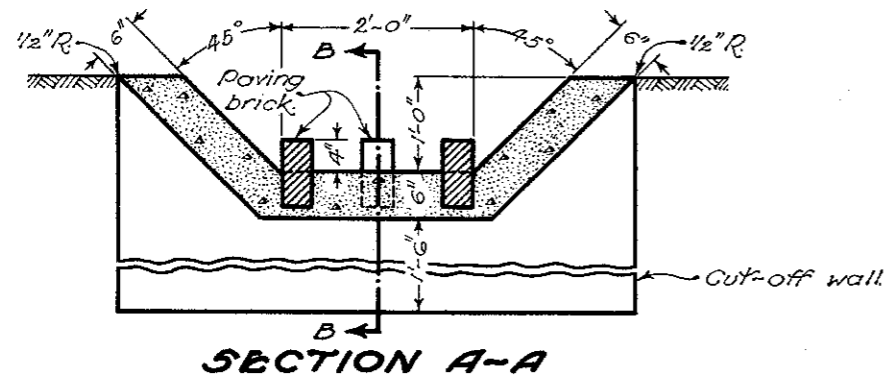
SECTION A-A SIDE VIEW

- TYPE 1-2 (* 2'-0")
- TYPE 1-4 (* 4'-0")
- TYPE 1-6 (* 6'-0")



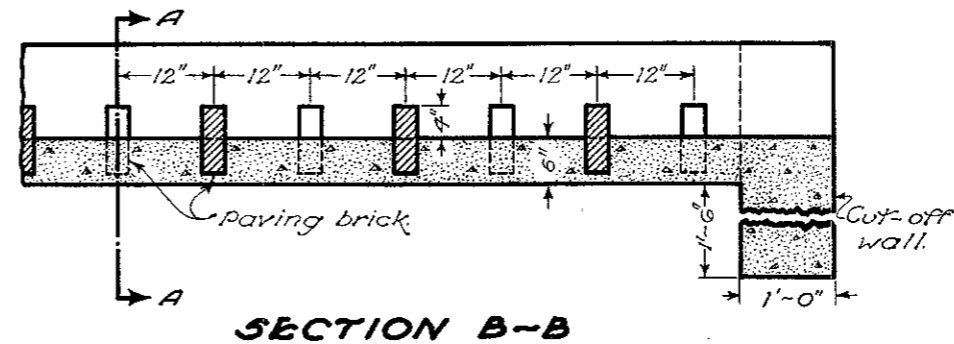
SECTION A-A SIDE VIEW

TYPE 2

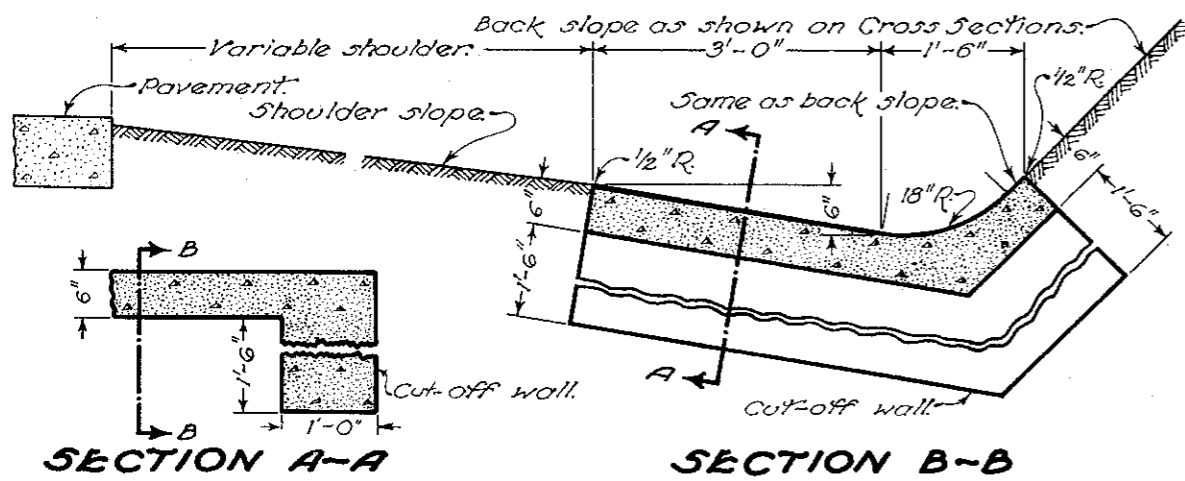


SECTION A-A

TYPE 3



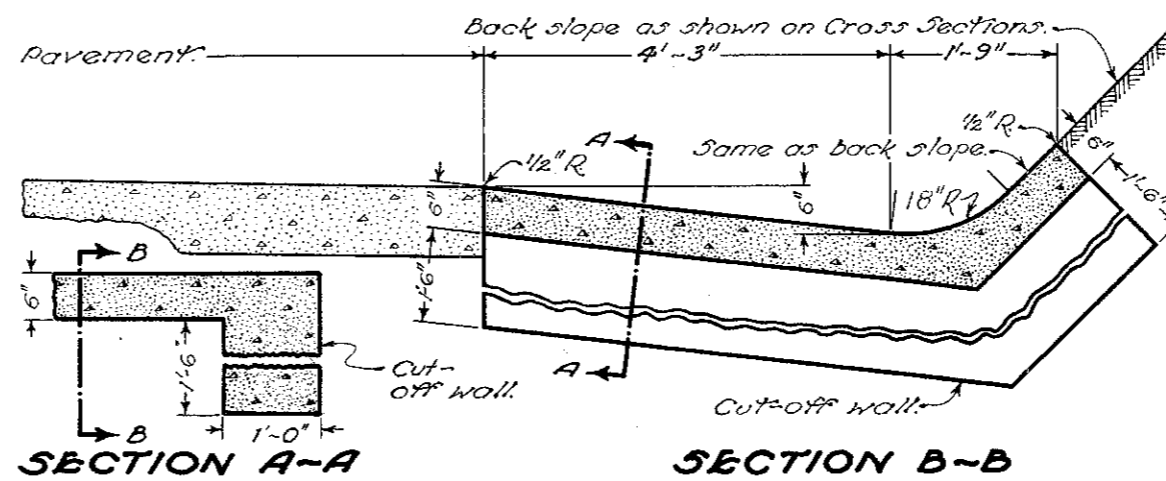
SECTION B-B



SECTION A-A

SECTION B-B

TYPE 4



SECTION A-A

SECTION B-B

TYPE 5

NOTES

GENERAL: Gutters shall be constructed of Class C concrete, stone or brick.
The thickness of the gutter shown hereon is for concrete construction. If stone or brick is used it shall be grout filled and the thickness of the gutter shall be increased to 8 inches minimum.

Type 3 Gutter with baffles may be used for steep slopes. Gutter blocks shall be new or used paving brick or precast concrete blocks of similar dimensions and shall be placed with the outside blocks in one row staggered with the center blocks at 12 inch centers longitudinally or as shown on the plan.

CONSTRUCTION: Concrete gutters shall have impressed contraction joints spaced at intervals of 10 feet unless otherwise specified.

Concrete cut-off walls shall be constructed at the beginning and end of each run of gutter except where the gutter connects with a catch basin or inlet. The cost of the cut-off walls is included in the unit price bid for gutter.

SOD: Installation and payment for sod shall be in accordance with 660.

BUREAU OF ROADWAY DESIGN
OHIO DEPARTMENT OF TRANSPORTATION

PAVED
GUTTERS

STANDARD
CONSTRUCTION
DRAWING

MC-5

APPROVED *E. J. Schaefer* ENGR., R. D.

DATE
6-1-65
6-12-75