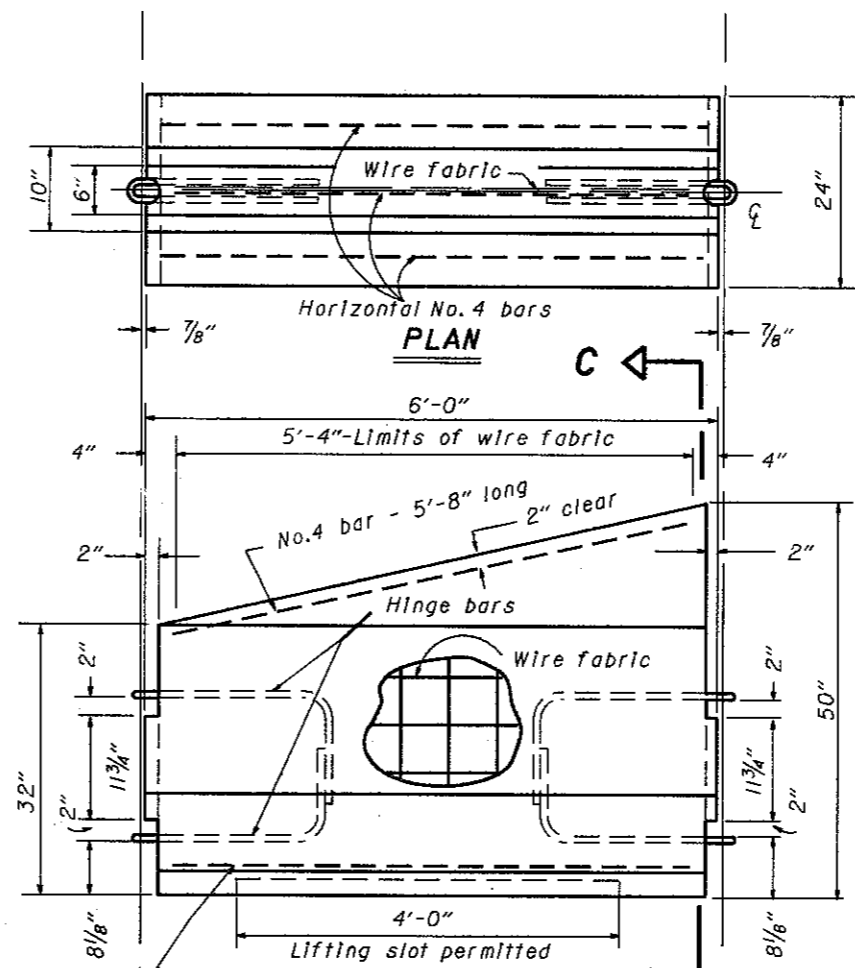
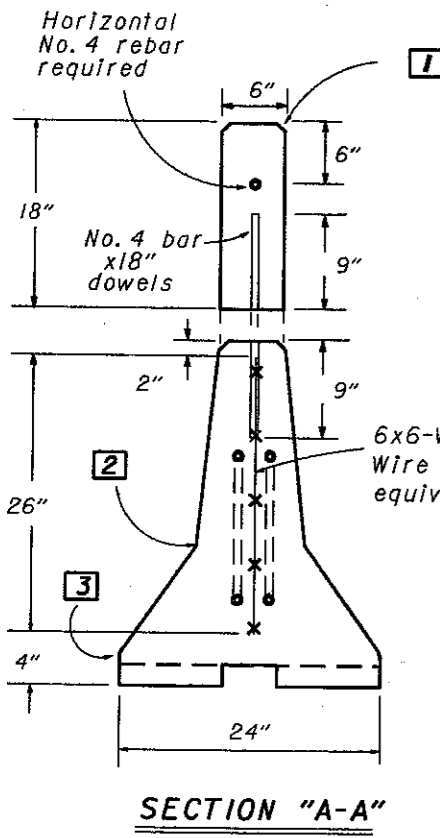


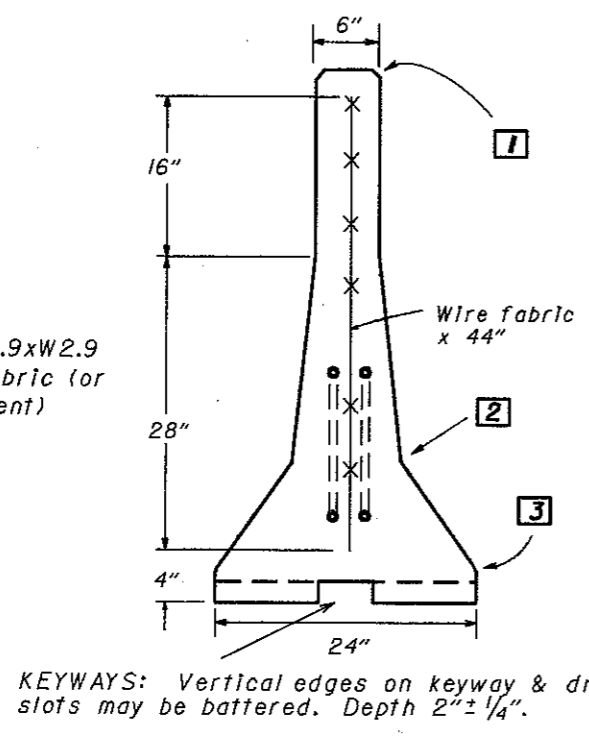
**ELEVATION
BARRIER DETAILS**



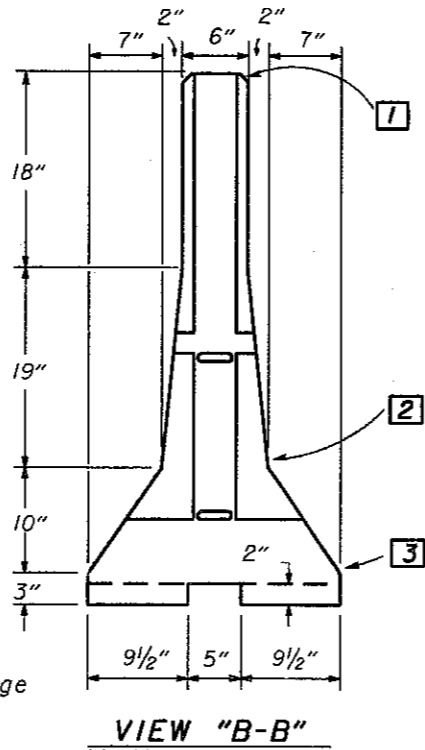
**ELEVATION
50" TRANSITION SECTION**



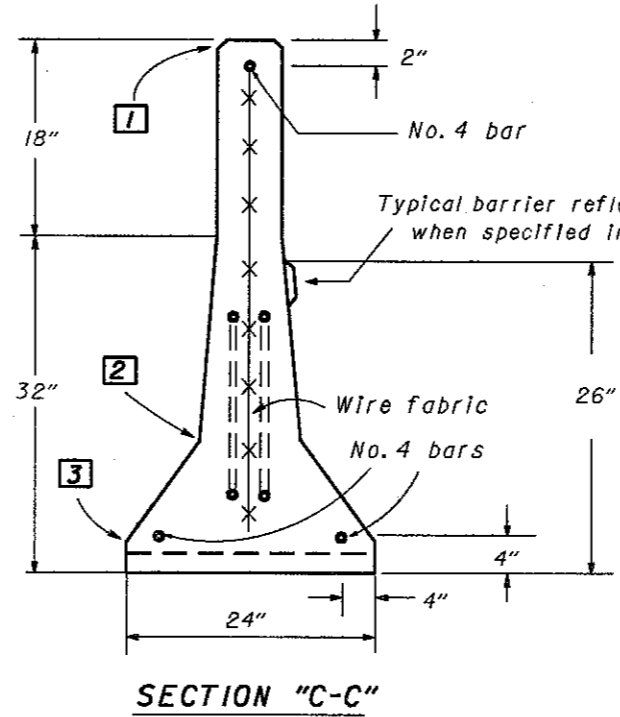
**SECTION "A-A"
Separate Top**



**SECTION "A-A"
Integral Top**



VIEW "B-B"



SECTION "C-C"

KEYWAYS: Vertical edges on keyway & drainage slots may be battered. Depth $2" \pm 1/4"$.

NOTES

PORTABLE CONCRETE BARRIER (PCB), as shown shall not be used on bridge deck edges. PCB, Bridge Mounted shall be used at such locations in accordance with the Bureau of Bridges Standard Construction Drawing PCB-91.

PCB shall be constructed of Class "C" concrete and in conformance with 706.13.

50" PCB: Shall be constructed with the upper 18" integral with the bottom, where the wire fabric extends as shown throughout, or separately with No. 4 rebar dowels at maximum 3'-0" spacing. Start and end dowels 6 inches from barrier segment ends.

50" TRANSITION SECTION: A 32" tapered end section or 32" Portable Concrete Barrier section (Std. Dwg. MC-9.2) must be connected to the 32" end of the 50" transition section.

WIRE FABRIC shall meet the requirements of 709.10.

CONNECTING BOLTS, washers and hex nuts shall meet the requirements of 711.09 and be galvanized after fabrication per 711.02.

THE 3/4" DIA. HINGE BARS and No. 4 reinforcing bars shall meet the requirements of 509.02.

HINGE BAR PLACEMENT See Hinged Connection Detail on Std. Dwg. MC-9.2. For open and closed joint connections of adjacent barriers, see Joint Connection Detail on Std. Dwg. MC-9.2.

HANDLING DEVICES may be used in lieu of the lifting slot for moving the barrier. They may be of any design sufficient to handle the weight of the section being lifted. No handling devices shall protrude from the surface of the barrier when in place.

MARKING: All barrier segments shall be marked as shown, where XX indicates the year cast. These markings shall be permanently impressed in the barrier using a minimum of 2" high lettering.

Each segment shall have, on its top, a unique identification as to its manufacturer and, somewhere on the barrier, the day and month the barrier was manufactured.

LEGEND

- 1 1" Radius or 3/4" Chamfer, all top and end corners.
- 2 Permissible 10" radius.
- 3 Permissible 1" radius.

BUREAU OF LOCATION AND DESIGN OHIO DEPARTMENT OF TRANSPORTATION	
50 INCH PORTABLE CONCRETE BARRIER	DATE 10-30-92
STANDARD CONSTRUCTION DRAWING	MC-9.1
APPROVED <i>D.K. Hickman</i> ENGR., L & D	