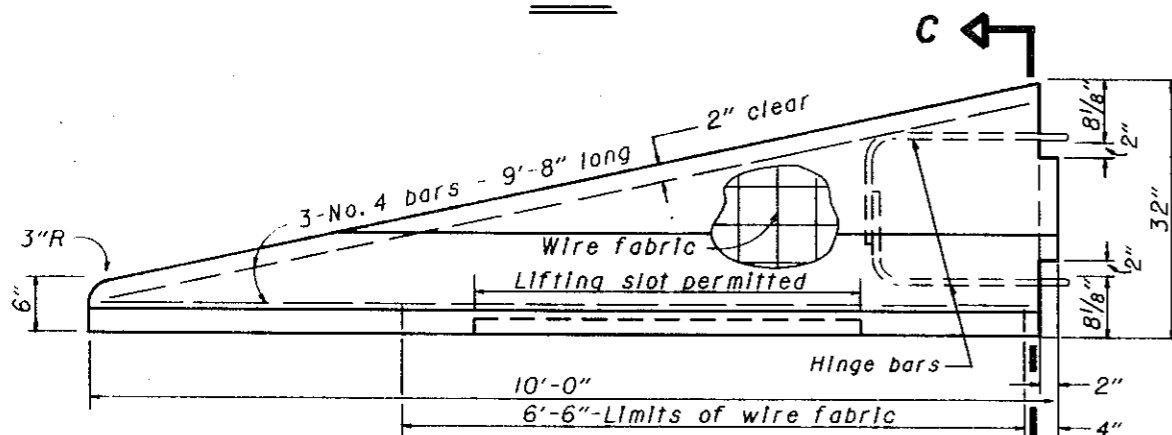
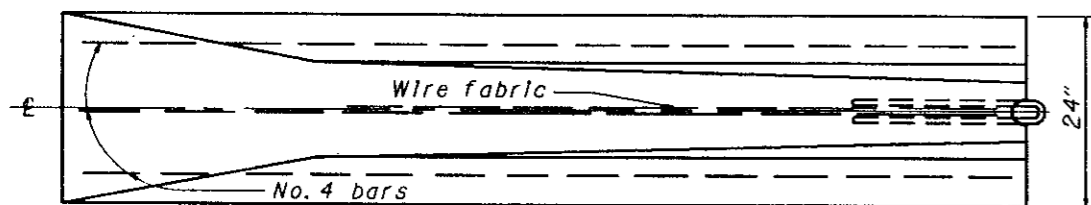
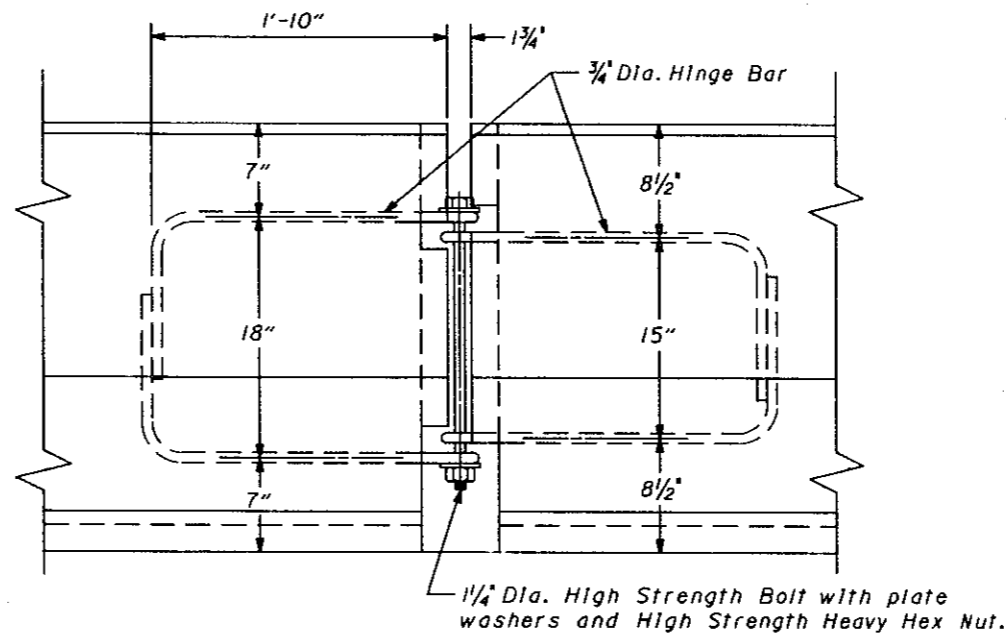


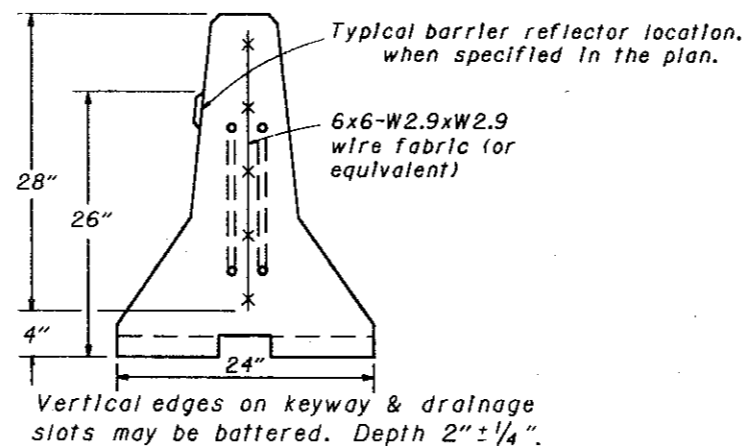
BARRIER DETAILS



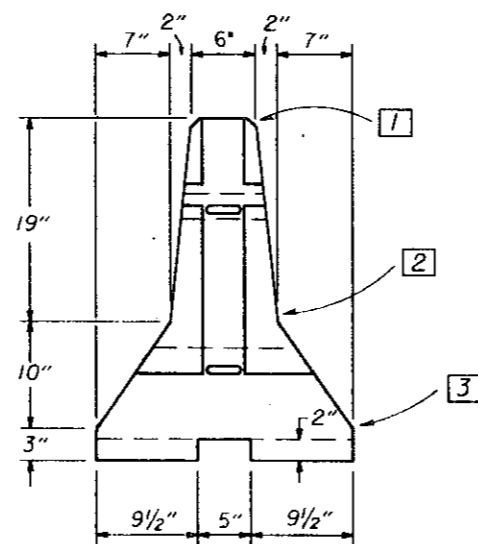
TAPERED END SECTION DETAILS



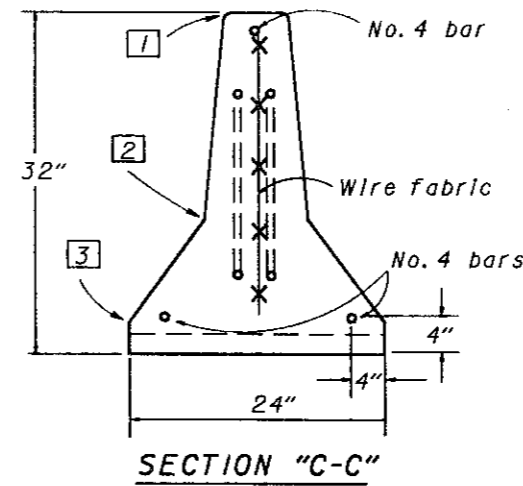
DETAIL AT HINGED CONNECTION



SECTION "A-A"



VIEW "B-B"



SECTION "C-C"

- 1 1" Radius or 3/4" Chamfer, all top and end corners.
- 2 Permissible 10" radius.
- 3 Permissible 1" radius.

NOTES

PORTABLE CONCRETE BARRIER (PCB), as shown shall not be used on bridge decks. PCB, Bridge Mounted shall be used on structures in accordance with barrier design and guidelines provided by the Bureau of Bridges. The PCB, Bridge Mounted design may also be used for roadway applications if the contractor chooses to do so.

CONNECTING BOLTS, washers and hex nuts shall meet the requirements of 711.09 and be galvanized after fabrication per 711.02.

THE 3/4" DIA. HINGE BARS and No. 4 reinforcing bars shall meet the requirements of 509.02.

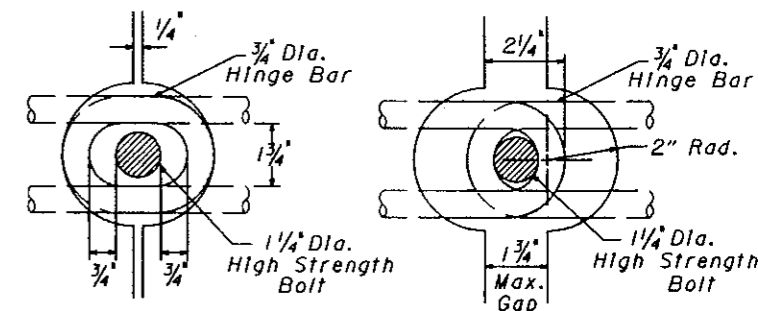
WIRE FABRIC shall meet the requirements of 709.10.

* **ALL BARRIER SEGMENTS** shall be clearly marked as shown, where XX indicates the year cast. Each segment shall also have, on its top, a unique identification as to its manufacturer and, somewhere on the barrier, the day and month the barrier was manufactured.

All markings shall be permanently imprinted on the barrier using a minimum of 2" high lettering.

PCB shall be constructed of Class "C" concrete and in conformance with 706.13.

HANDLING DEVICES may be used in lieu of the lifting slot for moving the barrier. They may be of any design sufficient to handle the weight of the section being lifted. No handling devices shall protrude from the surface of the barrier when in place.



- 1 CLOSED JOINT
- 2 OPEN JOINT

JOINT CONNECTION DETAILS

- 1 Barriers shall initially be placed close together so that bolts can be easily inserted through hinge bar loop.
- 2 Barrier joints shall be fully open before the nut is tightened onto bolt.

BUREAU OF LOCATION AND DESIGN
OHIO DEPARTMENT OF TRANSPORTATION

**32" PORTABLE
CONCRETE BARRIER**

STANDARD
CONSTRUCTION
DRAWING

MC-9.2

APPROVED *D.K. Hulman* ENGR., L. & D.

DATE
5-6-91