

NOTES

JOINTS: Unsealed contraction joints spaced at 20' max. shall be constructed throughout the run of Concrete Barrier except that expansion joints shall be used at the center line of and around each bridge pier column and on either side of overhead sign supports, inlets and light pole foundations. If inlet top is slip formed, the expansion joints adjacent to it may be omitted.

Contraction joints may be constructed with metal inserts inside the forms, preformed full width joint filler, a grooving tool, or by sawing. Inserts, tooled or sawed joints shall have a 3" minimum depth. All joints shall be constructed for the full height of the barrier including the base. Sawing shall be done as soon as curing will allow, to prevent spalling.

BASE JOINTS: The vertical walls between the barrier base and a concrete pavement or concrete base shall be provided with a sealed, grooved joint as shown on Std. Const. Dwg. BP-2.1. Sealing material shall conform with CMS 705.04.

P.C.J. = Permissible Construction Joint

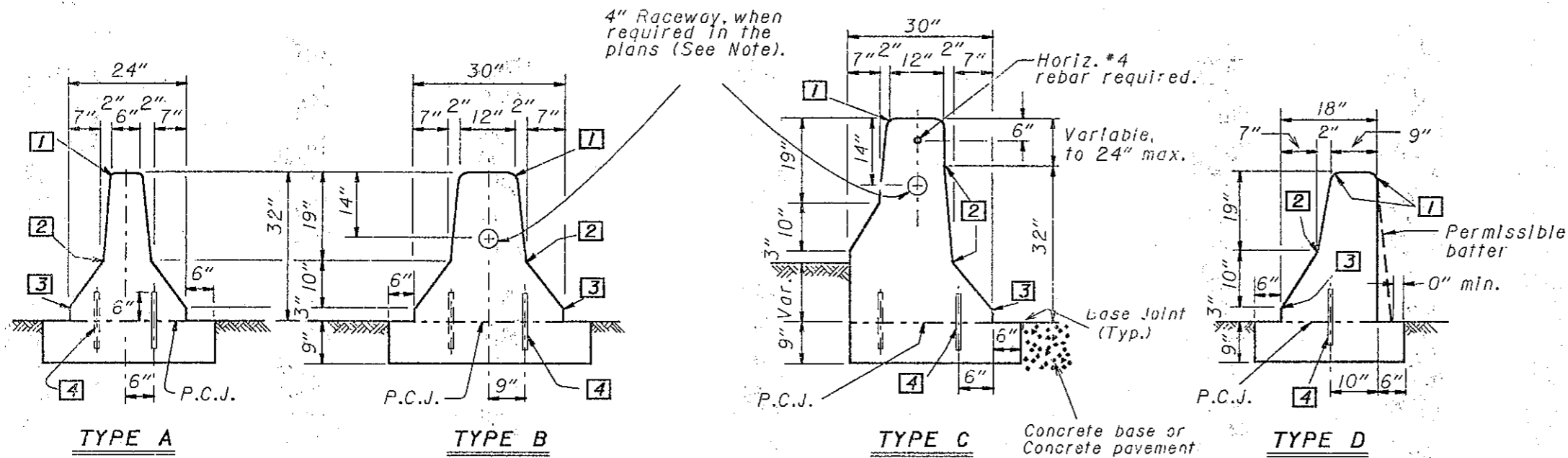
MEASUREMENT: 622 Concrete Barrier, including transitions and pier sections as per Standard Const. Drawing MC-9.4, is paid for in linear feet as one of the four types (A, B, C or D) or as Type A50 and B50, (for 50" high barrier), with appropriate deductions for other items such as:

604 I-3 Median Inlet	20 Lin. Ft.
625 Light pole foundation or pullbox	2.5 Lin. Ft.
630 Overhead sign support foundation	10 Lin. Ft.
630 Barrier wall assembly	10 Lin. Ft.

50 INCH HIGH BARRIER shall be built in locations specified in the plans. Construct the lower 32" of the barrier and the barrier base using the same dimensions as shown in the corresponding Normal Section. The upper 18" may be constructed integral with the bottom, or separately with No. 4 rebar dowels at 4' foot maximum spacing. Start and end dowels 6" from barrier contraction joints.

RACEWAY: The contractor shall insure that the electrical raceway is clear of internal obstructions. Cost of the 4 inch polyvinyl chloride raceway and No. 10 AWG copper-clad or aluminum-clad wire if needed for future installation of circuits shall be included in the unit cost per linear foot for Item 622, Concrete Barrier.

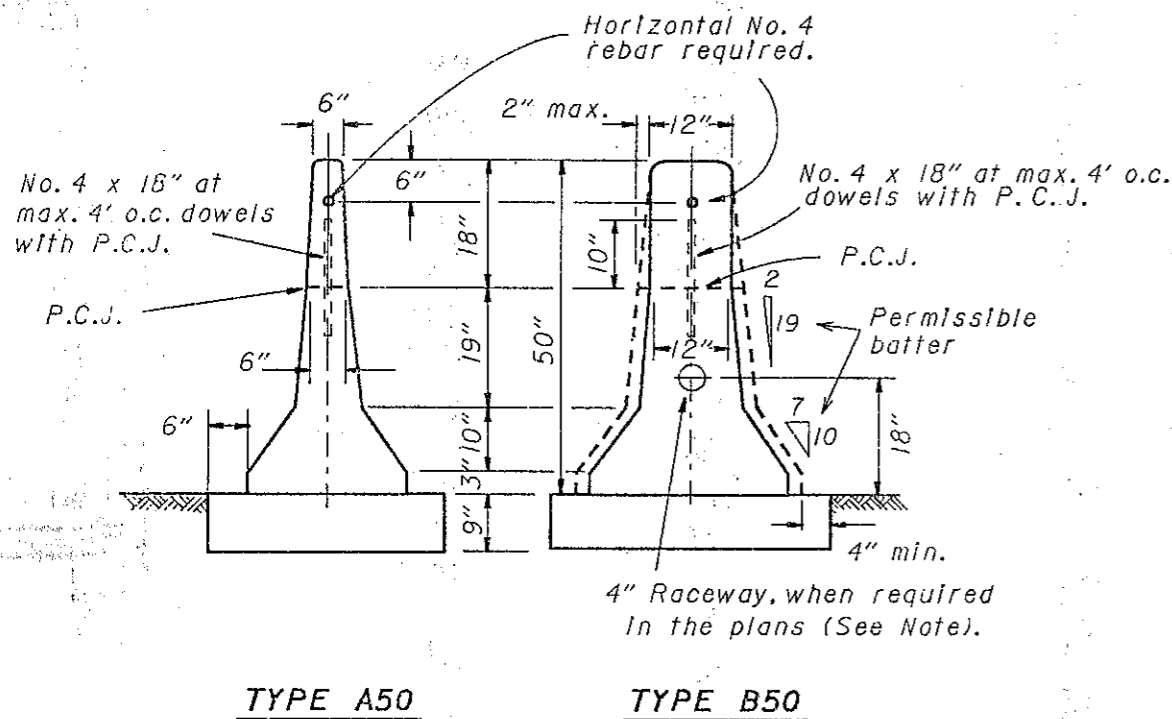
STATION MARKING shall be impressed in the "green" concrete on both sides at the top of the barrier if specified in the plans, which cost shall be incidental to the unit cost per linear foot bid for Item 622, Concrete Barrier.



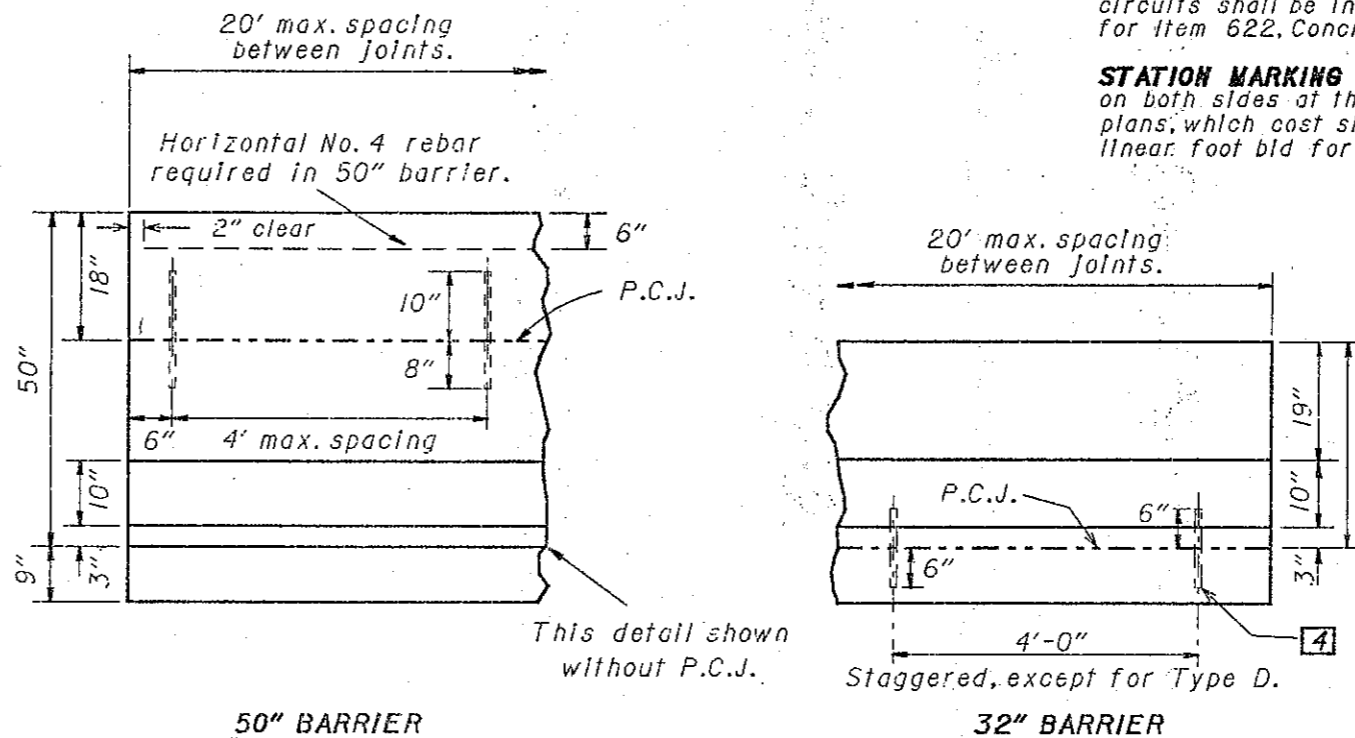
NORMAL SECTIONS

LEGEND

- 1 1" Radius or 3/4" chamfer.
- 2 Permissible 10" radius.
- 3 Permissible 1" radius.
- 4 No. 8 epoxy coated deformed steel bars, 12" long, spaced 4' between successive bars on a staggered (except Type D) pattern. Omit dowels when top is constructed integral with the base.



50" BARRIERS - TYPICAL SECTIONS



BARRIER ELEVATIONS

BUREAU OF LOCATION AND DESIGN OHIO DEPARTMENT OF TRANSPORTATION		DATE 10-30-92
CONCRETE BARRIER		
STANDARD CONSTRUCTION DRAWING	MC-9.3	
APPROVED <i>K.K. Hulman</i> ENGR., L & D		