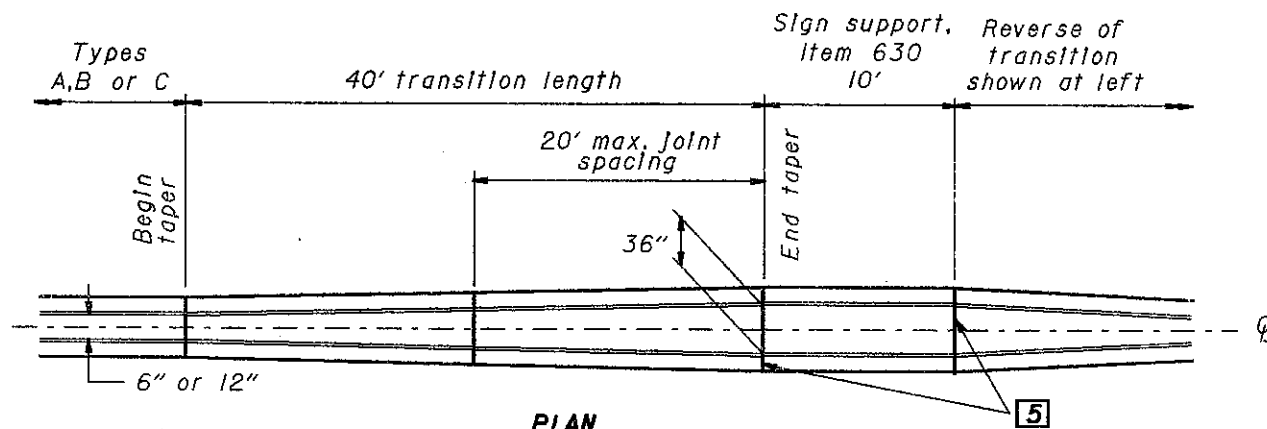


# NOTE

**STANDARD BARRIERS:** Types A, B, or C concrete barriers shall be constructed as per Std. Const. Drwg. MC-9.3 or as detailed in the plans.

# LEGEND

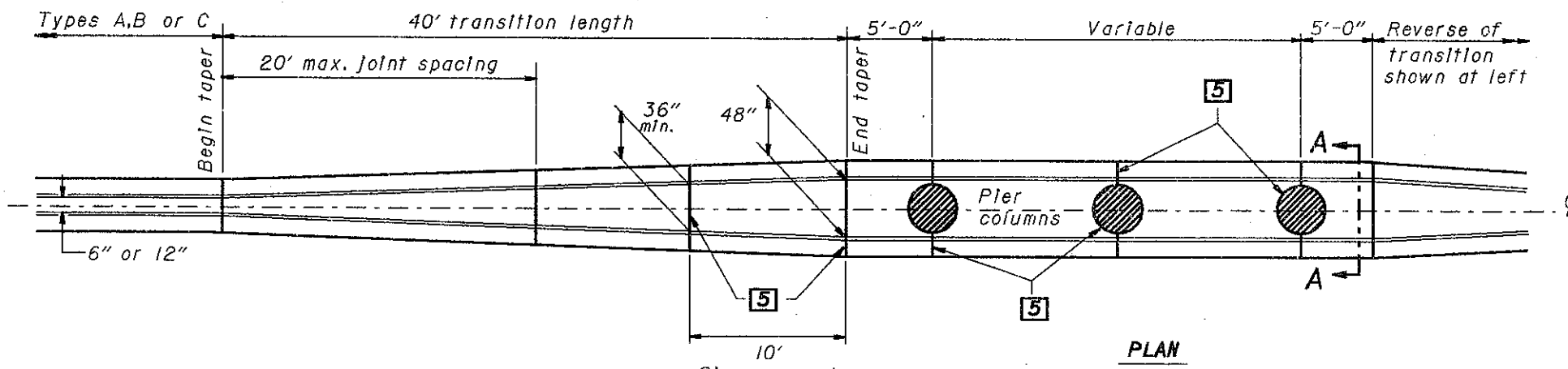
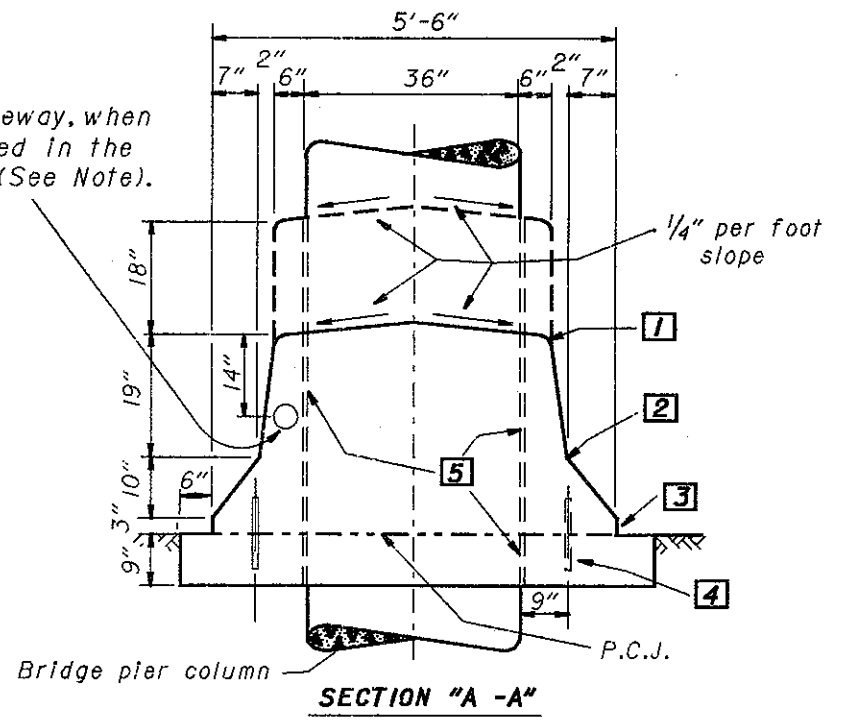
- 1 1" Radius or 3/4" chamfer.
- 2 Permissible 10" radius.
- 3 Permissible 1" radius.
- 4 No. 8 epoxy coated deformed steel bars, 12" long, spaced 2' between successive bars on a staggered (except Type D) pattern. Dowel bars shall begin 4' from the leading edge of the End Terminal. Omit dowels when top is constructed integral with the base.
- 5 Expansion Joint, 3/4" min. Preformed Filler 705.03.



## SIGN SUPPORT TRANSITION

(For 50" barriers, the upper 18" varies from 6" or 12" width to 36" width.)

4" Raceway, when required in the plans (See Note).



## BRIDGE PIER TRANSITION

(With Sign Support)

BUREAU OF LOCATION AND DESIGN  
OHIO DEPARTMENT OF TRANSPORTATION

**CONCRETE BARRIER  
TRANSITIONS**

DATE  
10-30-92

STANDARD  
CONSTRUCTION  
DRAWING

**MC-9.4**

APPROVED *J.K. Hulman* ENGR., L & D