

NOTES

APPLICATION: On Non-NHS roadways it may be used in the clear zone, with restrictions. See Section 603, Location & Design Manual, Volume 1.

GENERAL: For details not shown, see SCD MGS-1.1 and other Drawings pertaining to specific guardrail type. Galvanize all steel parts.

OFFSETS: The 18" flare offset from normal face of rail, shown in the plan view (for single rail installations) will be utilized only where shoulder is insufficient for providing standard flares.

POSTS: Steel posts W6x9 are shown, but W6x8.5 posts are also permitted. See SCD MGS-1.1 for additional embedment details.

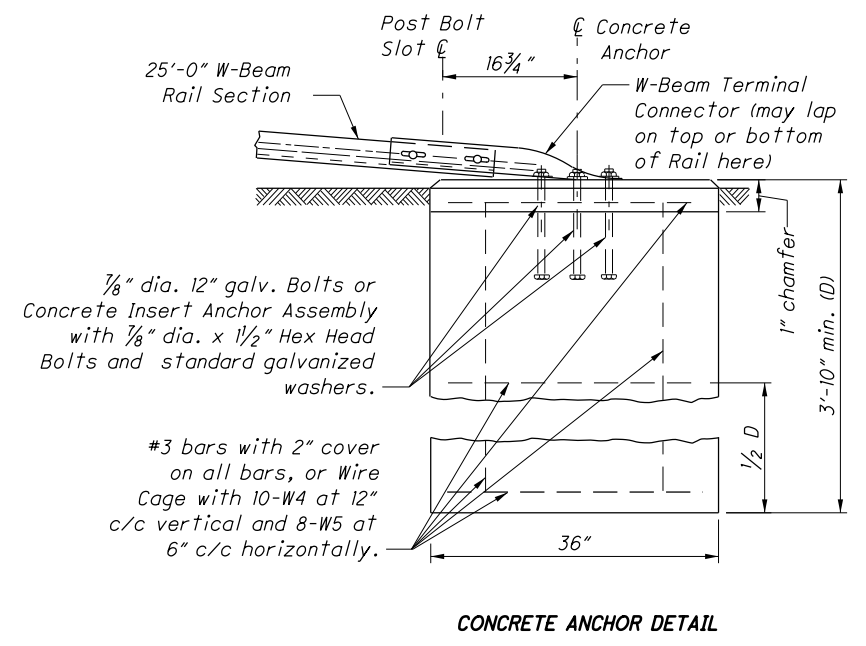
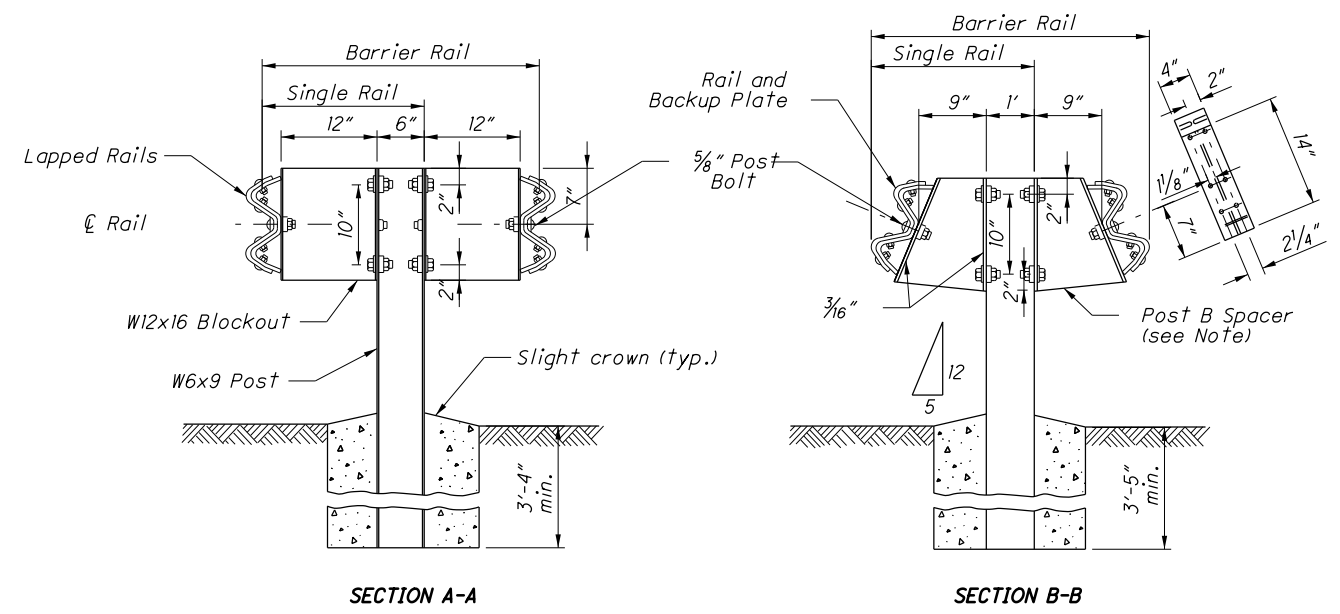
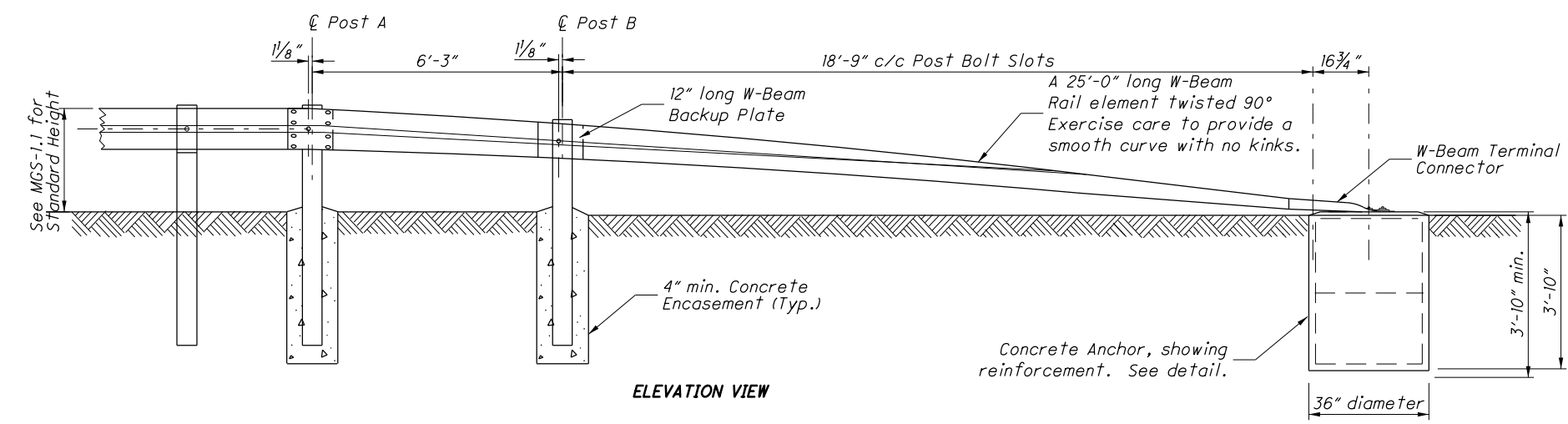
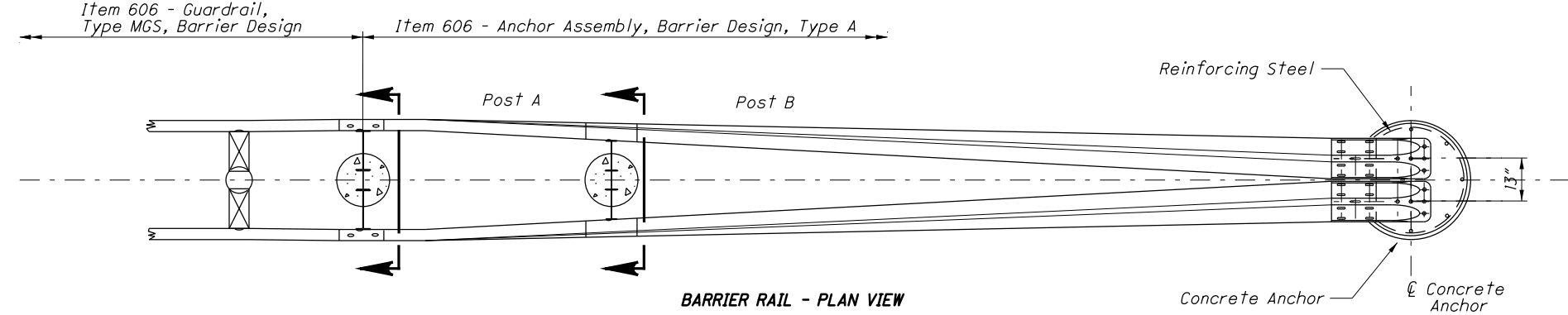
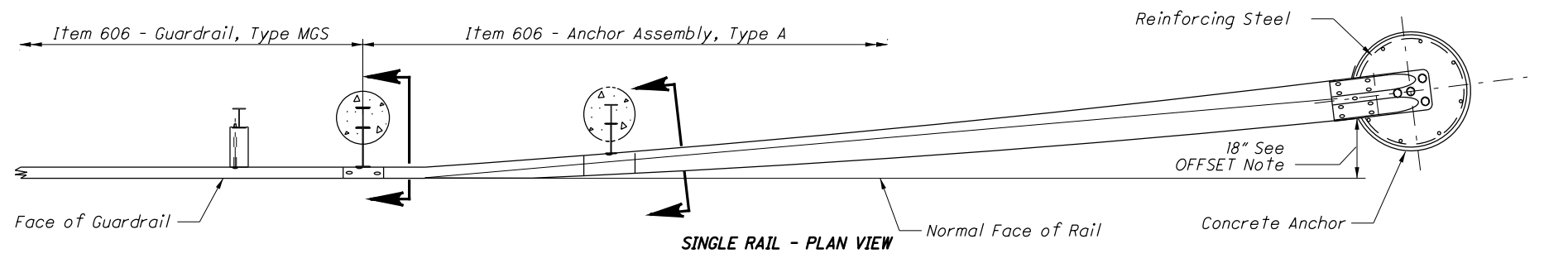
SPACERS: Post B Spacers shall be made of 3/16" Steel Plate as specified in CMS 710.15 or two sections of W6x9 or W8x10 cut in the web (see dashed line on POST B Detail) and welded together on both sides.
All steel spacers and posts may be provided with additional bolt holes so that these items will not be required to be made right and left handed.

Spacers shall be fastened to Posts with two 5/8" hex head bolts and nuts with standard washers on both sides.

WASHERS: All washers indicated on this drawing are standard galvanized steel of the appropriate size.

CONCRETE ANCHOR: Form top 4" of anchor and slope the top to conform to slope of the adjacent ground. The 36" diameter anchor may be replaced by a 2'-6" square anchor at the contractor's option.

PAYMENT: Include all materials and labor for the 25'-0" Single Rail, Type A Anchor Assembly in the unit bid price for **Item 606 - Anchor Assembly, Type A, Each**. Pay for all materials and labor for the 25'-0" Barrier Rail under the unit bid price **Item 606 - Anchor Assembly, Barrier Design, Type A, Each**.



NOTES

APPLICATION: On Non-NHS roadways it may be used in the clear zone, with restrictions. See Section 603, Location & Design Manual, Volume 1.

GENERAL: For details not shown, see SCD MGS-1.1 and other Drawings pertaining to specific guardrail type. Galvanize all steel parts.

OFFSETS: The 18" flare offset from normal face of rail, shown in the plan view (for single rail installations) will be utilized only where shoulder is insufficient for providing standard flares.

POSTS: Steel posts W6x9 are shown, but W6x8.5 posts are also permitted. See SCD MGS-1.1 for additional embedment details.

SPACERS: Post B Spacers shall be made of 3/16" Steel Plate as specified in CMS 710.15 or two sections of W6x9 or W8x10 cut in the web (see dashed line on POST B Detail) and welded together on both sides.

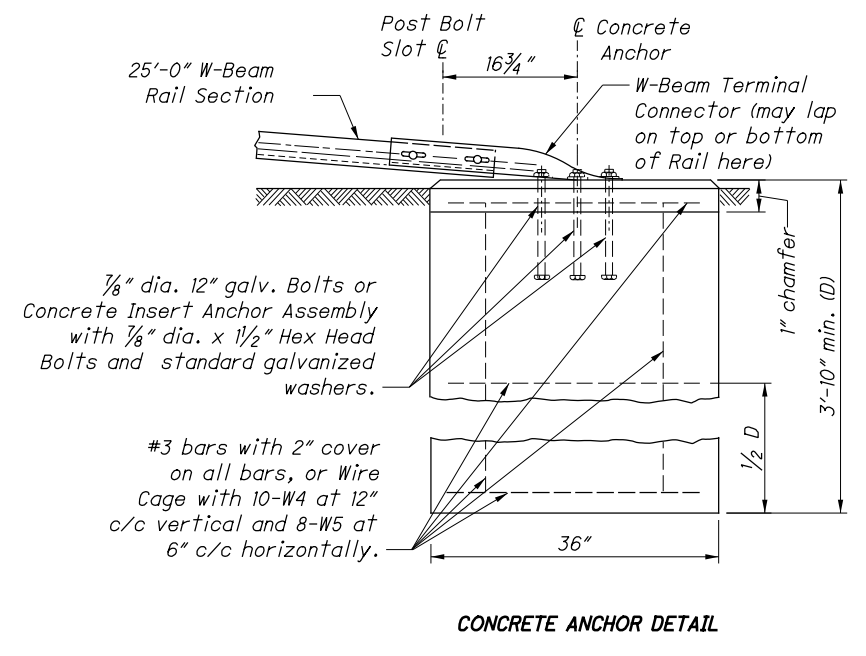
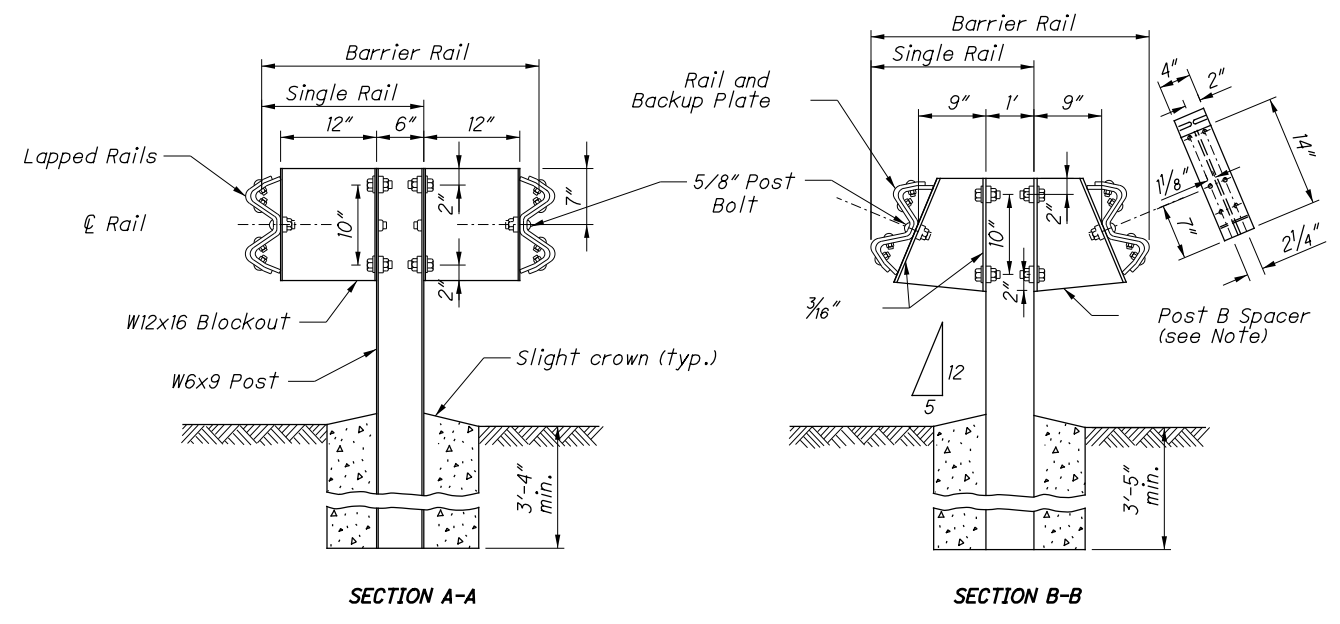
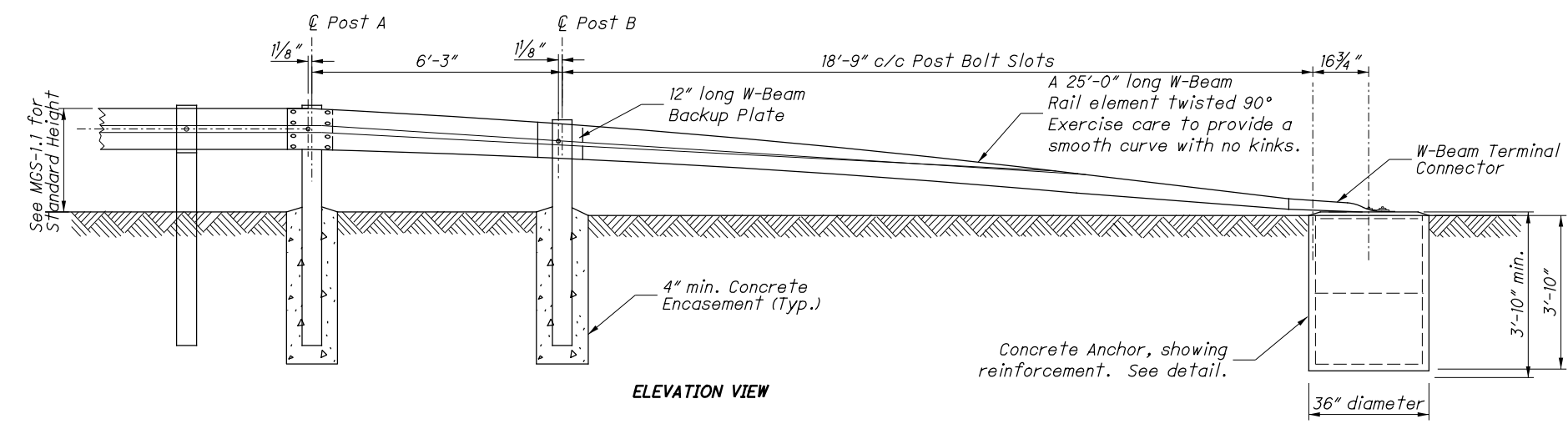
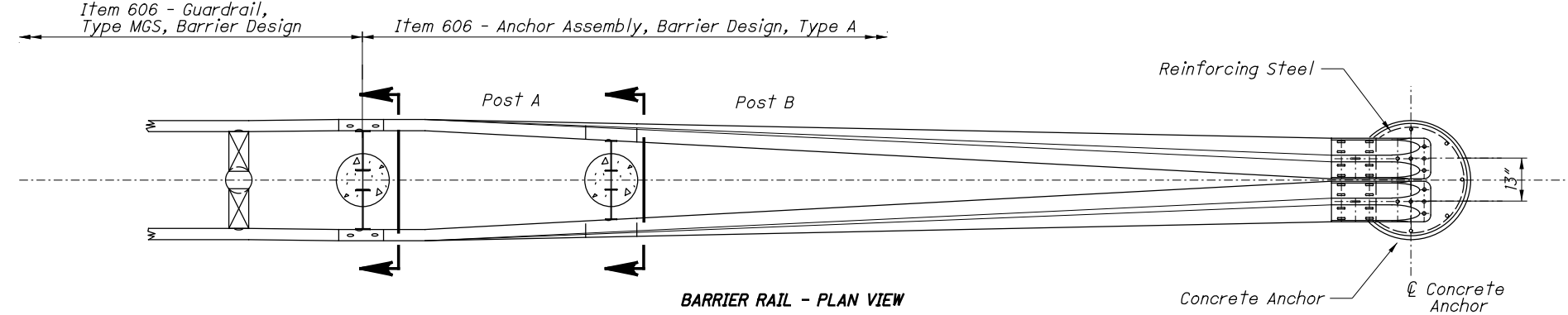
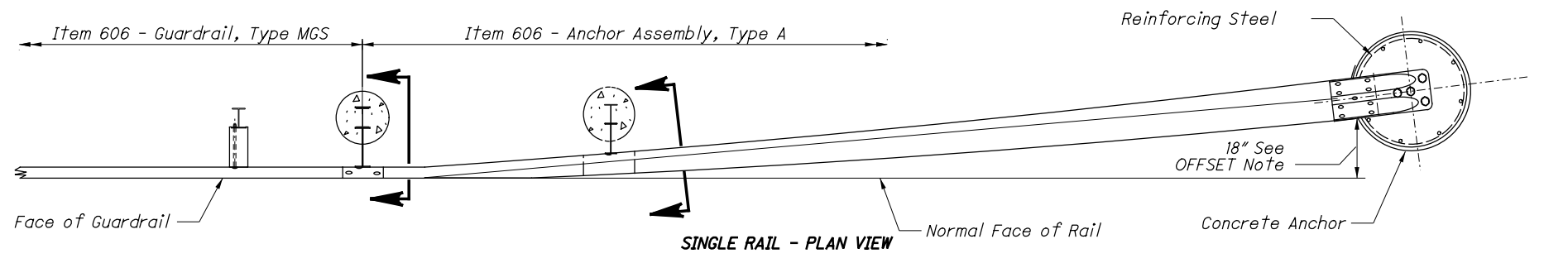
All steel spacers and posts may be provided with additional bolt holes so that these items will not be required to be made right and left handed.

Spacers shall be fastened to Posts with two 5/8" hex head bolts and nuts with standard washers on both sides.

WASHERS: All washers indicated on this drawing are standard galvanized steel of the appropriate size.

CONCRETE ANCHOR: Form top 4" of anchor and slope the top to conform to slope of the adjacent ground. The 36" diameter anchor may be replaced by a 2'-6" square anchor at the contractor's option.

PAYMENT: Include all materials and labor for the 25'-0" Single Rail, MGS Type A Anchor Assembly in the unit bid price for **Item 606 - Anchor Assembly, MGS Type A, Each**. Pay for all materials and labor for the 25'-0" Barrier Rail under the unit bid price **Item 606 - Anchor Assembly, Barrier Design, MGS Type A, Each**.



NOTES

APPLICATION: On Non-NHS roadways it may be used in the clear zone, with restrictions. See Section 603, Location & Design Manual, Volume 1.

GENERAL: For details not shown, see SCD MGS-1.1 and other Drawings pertaining to specific guardrail type. Galvanize all steel parts.

OFFSETS: The 18" flare offset from normal face of rail, shown in the plan view (for single rail installations) will be utilized only where shoulder is insufficient for providing standard flares.

POSTS: Steel posts W6x9 are shown, but W6x8.5 posts are also permitted. See SCD MGS-1.1 for additional embedment details.

SPACERS: Post B Spacers shall be made of 3/16" Steel Plate as specified in CMS 710.15 or two sections of W6x9 or W8x10 cut in the web (see dashed line on POST B Detail) and welded together on both sides.

All steel spacers and posts may be provided with additional bolt holes so that these items will not be required to be made right and left handed.

Spacers shall be fastened to Posts with two 5/8" hex head bolts and nuts with standard washers on both sides.

WASHERS: All washers indicated on this drawing are standard galvanized steel of the appropriate size.

CONCRETE ANCHOR: Form top 4" of anchor and slope the top to conform to slope of the adjacent ground. The 36" diameter anchor may be replaced by a 2'-6" square anchor at the contractor's option.

PAYMENT: Include all materials and labor for the 25'-0" Single Rail, MGS Type A Anchor Assembly in the unit bid price for **Item 606 - Anchor Assembly, MGS Type A, Each**. Pay for all materials and labor for the 25'-0" Barrier Rail under the unit bid price **Item 606 - Anchor Assembly, Barrier Design, MGS Type A, Each**.

THIS DRAWING REPLACES MGS-4.1 DATED 1-18-2013

STANDARD ROADWAY CONSTRUCTION DRAWING
MIDWEST GUARDRAIL SYSTEM
TYPE A ANCHOR ASSEMBLY

SCD NUMBER
MGS-4.1

OFFICE OF
ROADWAY
ENGINEERING

STATE ENGINEER
D. Fisher

STATE OF OHIO DEPARTMENT OF
TRANSPORTATION ADMINISTRATOR
David L. Holstein

REVISION DATE
1-20-2017