

# SINGLE POLE OVERHEAD SIGN

## TYPE A

## TYPE B

## TYPE C

### NOTES

**GENERAL:**— Signs are to be furnished and erected by others.

Steel poles shall have minimum taper of 0.14" per linear foot.

**FOUNDATIONS:**— Pole foundation shall be Class E concrete using #4 aggregate constructed in accordance with the details shown.

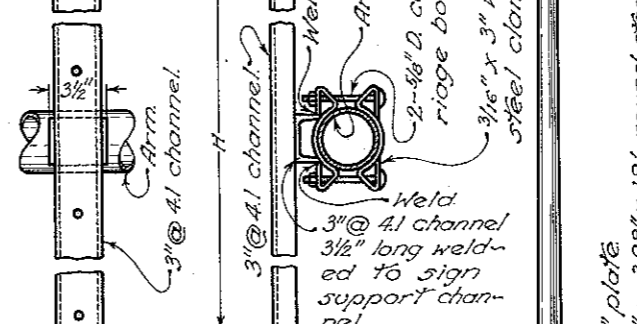
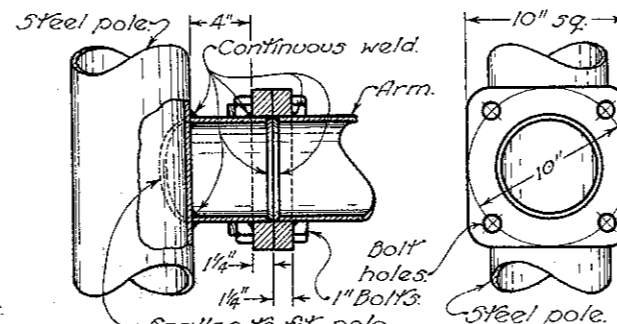
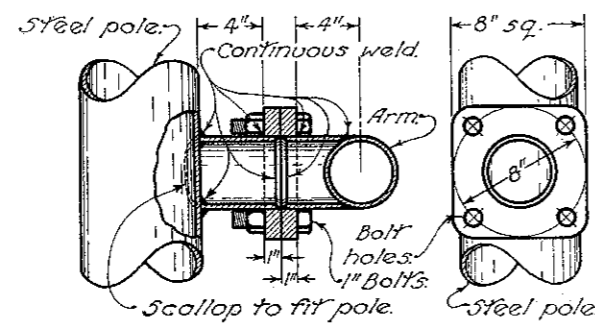
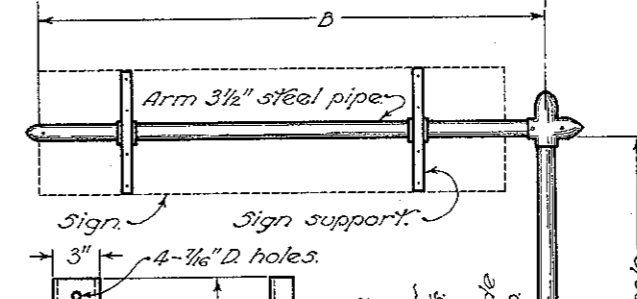
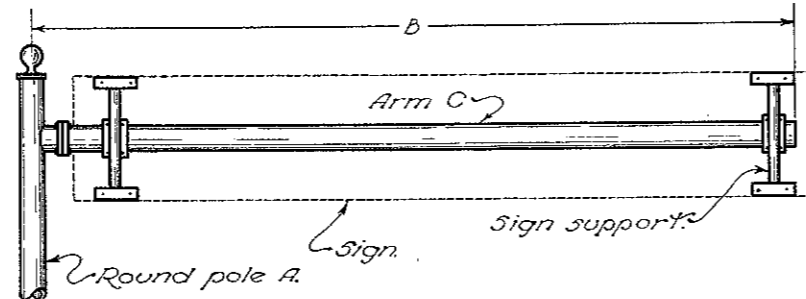
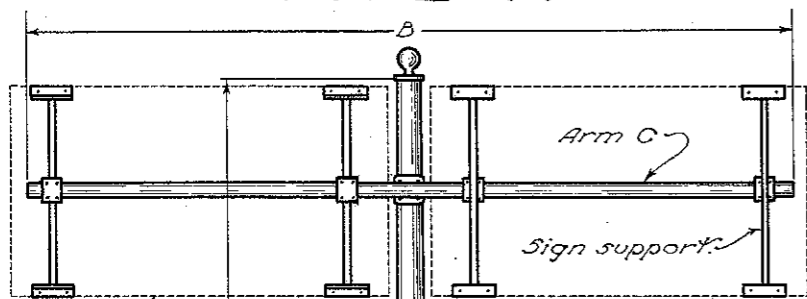
The concrete construction shall be in accordance with Mem 5-1 except that holes shall be excavated to neat lines and the concrete poured without forms to within 6" of the top of the foundation. The upper 6" shall be properly formed in accordance with Sec. 5-1.05. The lower 5" may be constructed cylindrical in shape using a minimum diameter of 2'-6".

Anchor rods shall be accurately held in place until the concrete has set.

Foundation details are for average soil conditions (medium clay). Where the stability of the foundation is impaired by a poor soil condition, the details of the foundation may vary accordingly.

**PAINTING:**— The shop coats of paint for the sign standard shall be applied in accordance with Sec. 5-25.10.

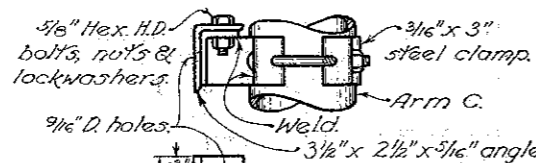
The finished field paint shall be one coat of high grade weather resistant dark green paint, meeting S.S.M-109.23, applied in accordance with Sec. 5-8.05.



**ARM ATTACHMENT TYPE A**

**ARM ATTACHMENT TYPE B**

**SIGN SUPPORT TYPE C**



Pole shall have minimum taper of 0.14" per linear foot.

1 1/2" x 60" anchor bolts.

Concrete base.

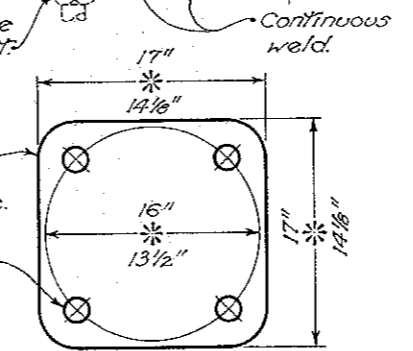
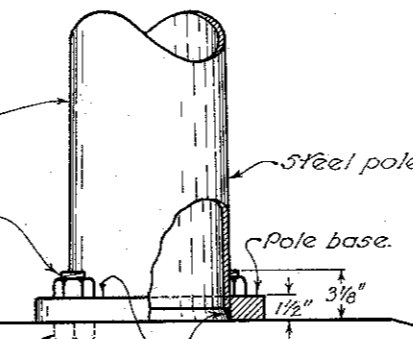
Heavy square plumbing nut.

Continuous weld.

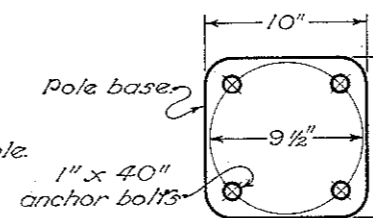
Pole base.

\* For 10" and 12" pole.

1 1/2" x 60" anchor bolts.



**POLE DETAILS TYPE A & B**

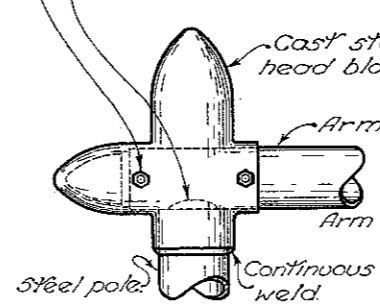


**POLE BASE DETAIL TYPE C**

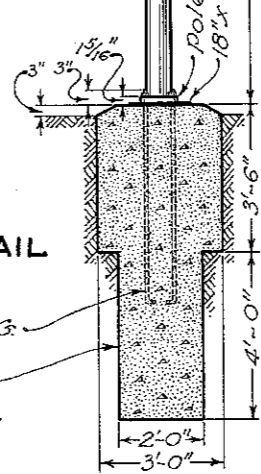
Concrete base.

Two 1/2" D hex. head mach. bolts with lock washers and nuts.

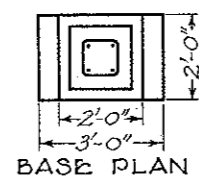
Hole in pipe arm burs removed.



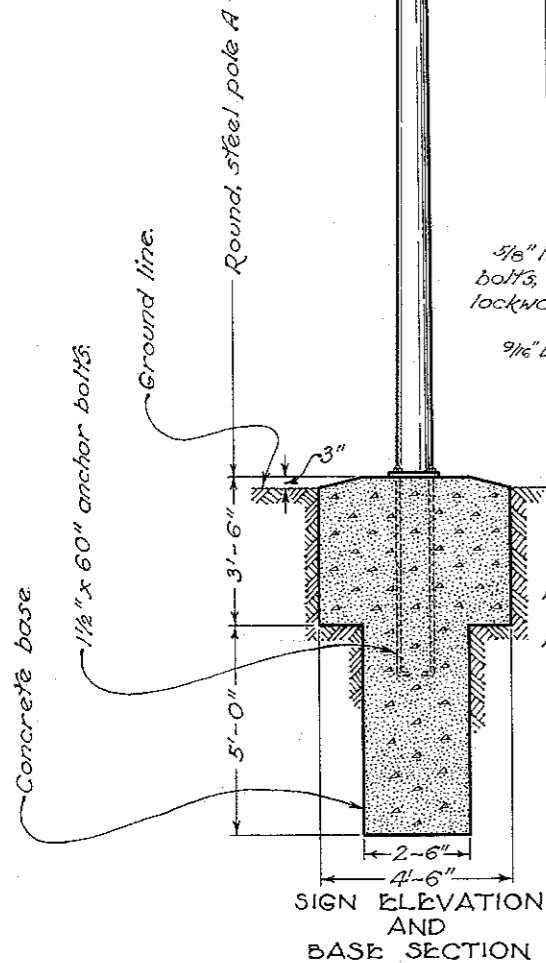
**ARM ATTACHMENT DETAILS TYPE C**



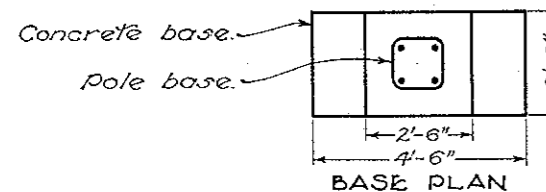
**SIGN ELEVATION AND BASE SECTION**



**BASE PLAN**



**SIGN ELEVATION AND BASE SECTION**



**BASE PLAN**

TYPE A		
LENGTH A	ARM C	POLE GA.
10" X 7.27" X 19'-6"	4" SCH. 80 GRADE A	3 GAGE
10" X 7.00" X 21'-6"	4" SCH. 40 GRADE A	7 GAGE
12" X 9.20" X 19'-6"	4" SCH. 40 GRADE A	7 GAGE
12" X 9.00" X 21'-6"	4" SCH. 40 GRADE A	7 GAGE

TYPE B		
LENGTH A	ARM C	POLE GA.
10" X 7.27" X 19'-6"	6" SCH. 80 GRADE A	3 GAGE
10" X 7.00" X 21'-6"	6" SCH. 80 GRADE A	3 GAGE
10" X 7.27" X 19'-6"	6" SCH. 40 GRADE A	7 GAGE
10" X 7.00" X 21'-6"	6" SCH. 40 GRADE A	7 GAGE

TYPE A	
POLE SIZE	MAXIMUM ALLOWABLE SIGN AREA
10" X 7.27" X 19'-6"	120 SQ. FT.
10" X 7.00" X 21'-6"	107 SQ. FT.
12" X 9.20" X 19'-6"	61 SQ. FT.
12" X 9.00" X 21'-6"	54 1/4 SQ. FT.
TYPE B	
POLE SIZE	MAXIMUM ALLOWABLE SIGN AREA
10" X 7.27" X 19'-6"	81 1/4 SQ. FT.
10" X 7.00" X 21'-6"	72 1/2 SQ. FT.
10" X 7.27" X 19'-6"	61 SQ. FT.
10" X 7.00" X 21'-6"	54 1/4 SQ. FT.
TYPE C	
MAXIMUM ALLOWABLE SIGN AREA	
16 SQ. FT.	

BUREAU OF LOCATION AND DESIGN  
OHIO DEPARTMENT OF HIGHWAYS

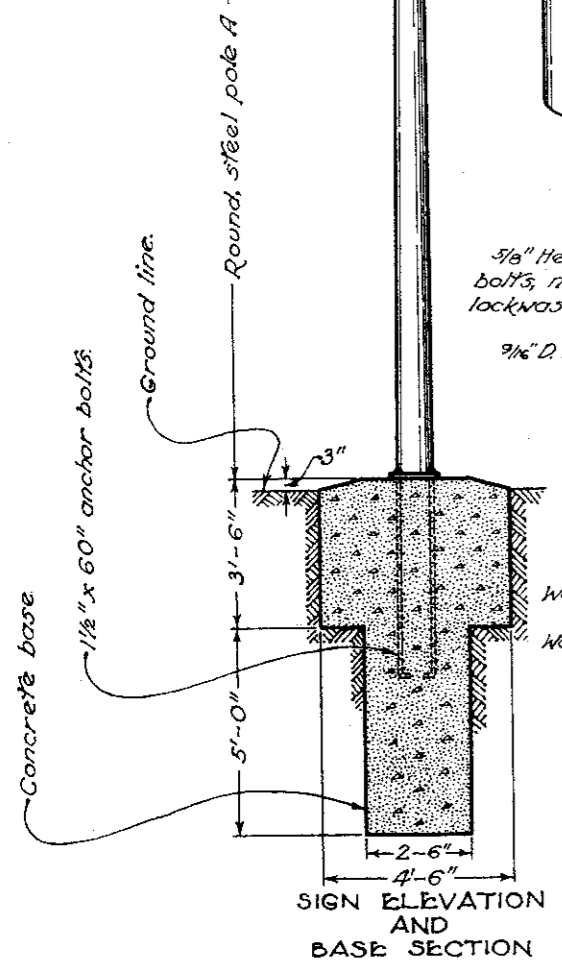
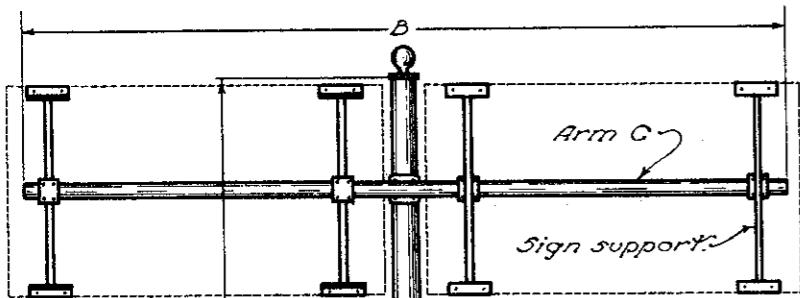
## OVERHEAD SIGNS

STANDARD CONSTRUCTION DRAWING OS-1  
APPROVED: *[Signature]* ENGINEER, L. & D.

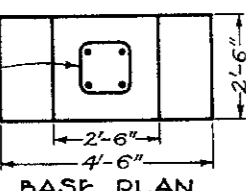
DATE 7-1-35

# SINGLE POLE OVERHEAD SIGN

## TYPE A

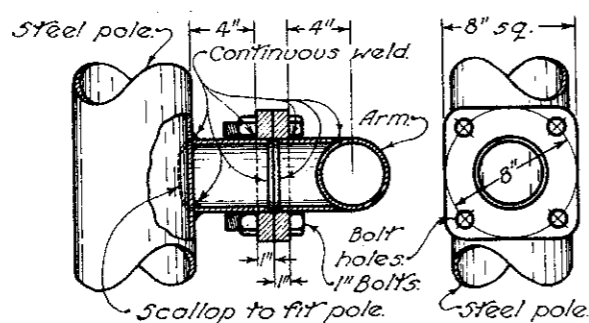
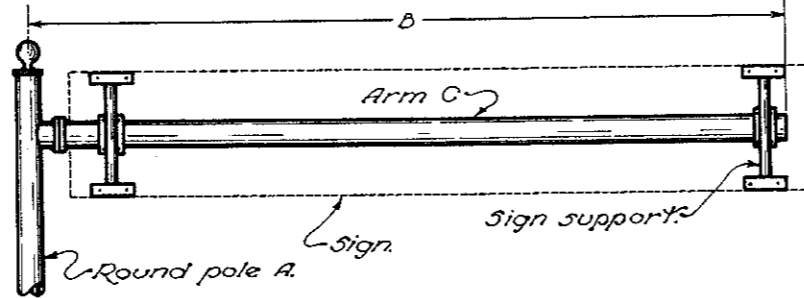


SIGN ELEVATION AND BASE SECTION

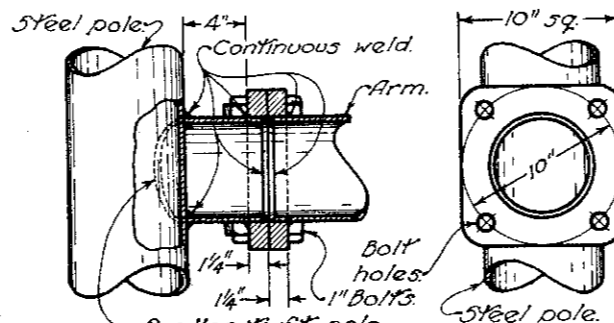


BASE PLAN

## TYPE B



ARM ATTACHMENT TYPE A



ARM ATTACHMENT TYPE B

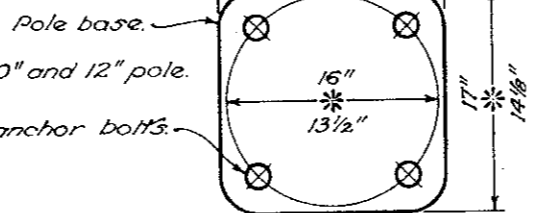
Pole shall have minimum taper of 0.14" per linear foot.

1 1/2" x 60" anchor bolts.

Concrete base.

Heavy square plumbing nut.

Continuous weld.

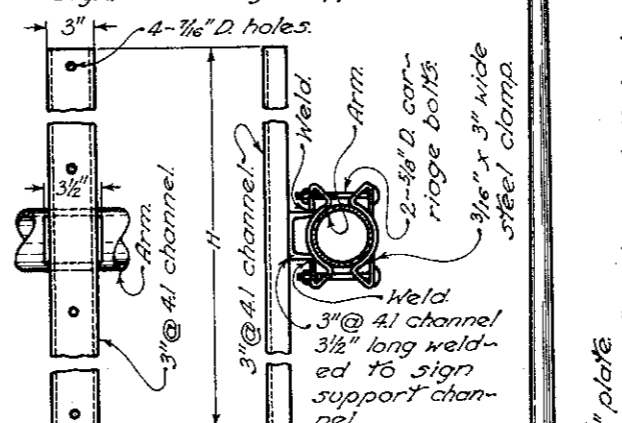
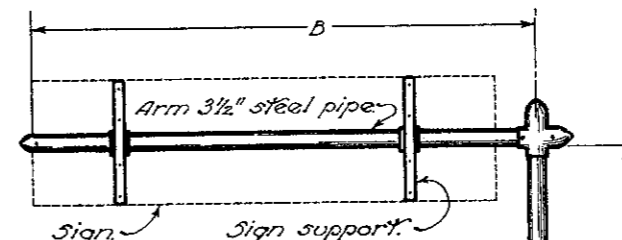


POLE DETAILS TYPE A & B

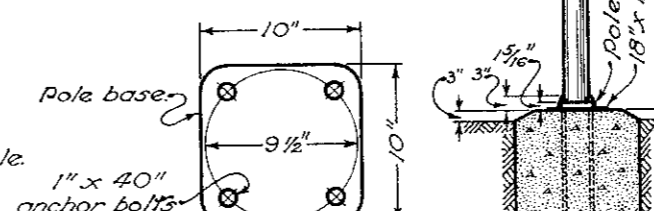
TYPE A		
LENGTH A	ARM C	POLE GA.
10" X 7.27" X 19'-6"	4" SCH. 80 GRADE A	3 GAGE
10" X 7.00" X 21'-6"	4" SCH. 80 GRADE A	3 GAGE
12" X 9.20" X 19'-6"	4" SCH. 40 GRADE A	7 GAGE
12" X 9.00" X 21'-6"	4" SCH. 40 GRADE A	7 GAGE

TYPE B		
LENGTH A	ARM C	POLE GA.
10" X 7.27" X 19'-6"	6" SCH. 80 GRADE A	3 GAGE
10" X 7.00" X 21'-6"	6" SCH. 80 GRADE A	3 GAGE
10" X 7.27" X 19'-6"	6" SCH. 40 GRADE A	7 GAGE
10" X 7.00" X 21'-6"	6" SCH. 40 GRADE A	7 GAGE

## TYPE C



SIGN SUPPORT TYPE C



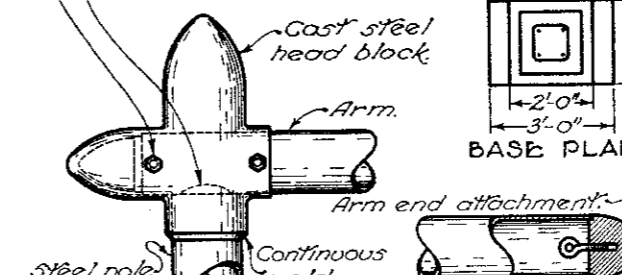
POLE BASE DETAIL TYPE C

1" x 40" anchor bolts.

Concrete base.

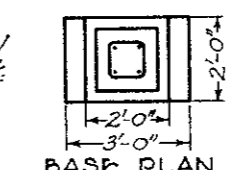
Two 1/2" D. hex. head mach. bolts with lock washers and nuts.

Hole in pipe arm burs removed.



ARM ATTACHMENT DETAILS TYPE C

SIGN ELEVATION AND BASE SECTION



BASE PLAN

### NOTES

**GENERAL:**— Signs are to be furnished and erected by others. Steel poles shall have minimum taper of 0.14" per linear foot.

**FOUNDATIONS:**— Pole foundation shall be Class E concrete using #4 aggregate constructed in accordance with the details shown.

The concrete construction shall be in accordance with Item 5-1 except that holes shall be excavated to neat lines and the concrete poured without forms to within 6" of the top of the foundation. The upper 6" shall be properly formed in accordance with Sec. 5-1.05. The lower 5' may be constructed cylindrical in shape using a minimum diameter of 2'-6".

Anchor rods shall be accurately held in place until the concrete has set.

Foundation details are for average soil conditions (medium clay). Where the stability of the foundation is impaired by a poor soil condition, the details of the foundation may vary accordingly.

**PAINTING:**— Two shop coats of paint for the sign standard shall be applied in accordance with Sec. 5-2.5.10.

After the standards have been erected they shall be given two field coats of Green Enamel, Sec. 14-9.2.3, in accordance with provisions of Item 5-8.

TYPE A	
POLE SIZE	MAXIMUM ALLOWABLE SIGN AREA
10" X 7.27" X 19'-6"	120 SQ. FT.
10" X 7.00" X 21'-6"	107 SQ. FT.
12" X 9.20" X 19'-6"	61 SQ. FT.
12" X 9.00" X 21'-6"	54 1/4 SQ. FT.
TYPE B	
POLE SIZE	MAXIMUM ALLOWABLE SIGN AREA
10" X 7.27" X 19'-6"	81 1/4 SQ. FT.
10" X 7.00" X 21'-6"	72 1/2 SQ. FT.
10" X 7.27" X 19'-6"	61 SQ. FT.
10" X 7.00" X 21'-6"	54 1/4 SQ. FT.
TYPE C	
MAXIMUM ALLOWABLE SIGN AREA	
16 SQ. FT.	

BUREAU OF LOCATION AND DESIGN  
OHIO DEPARTMENT OF HIGHWAYS

## OVERHEAD SIGNS

STANDARD CONSTRUCTION DRAWING OS-1

APPROVED *[Signature]* ENGR. L. & D.

DATE  
7-1-55  
12-17-56