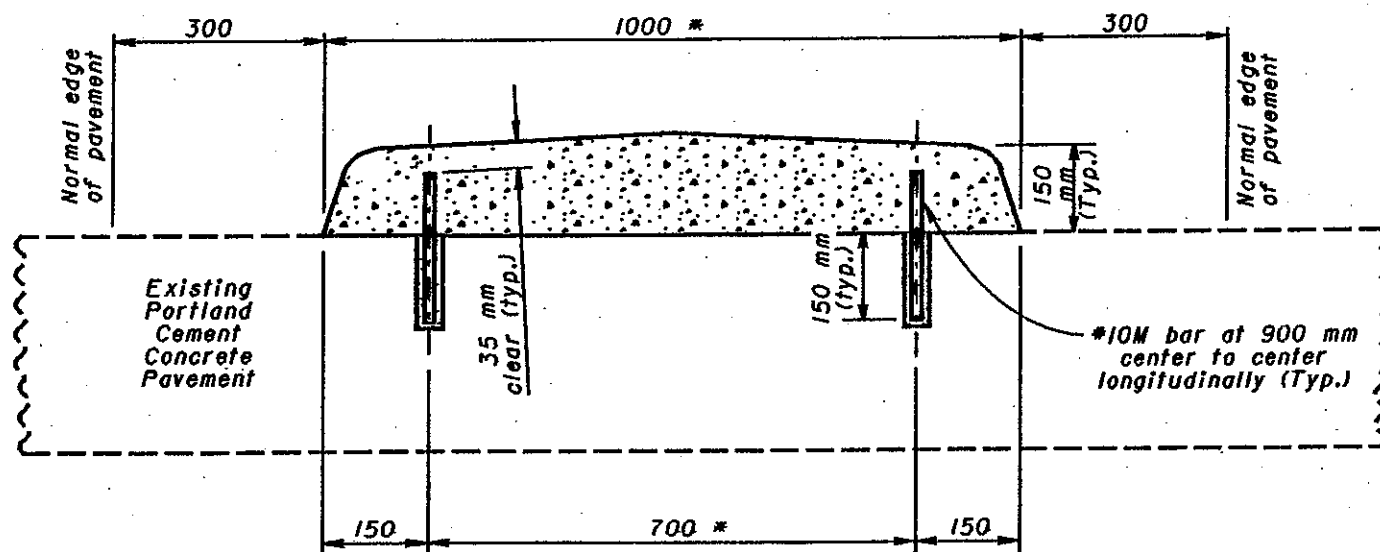
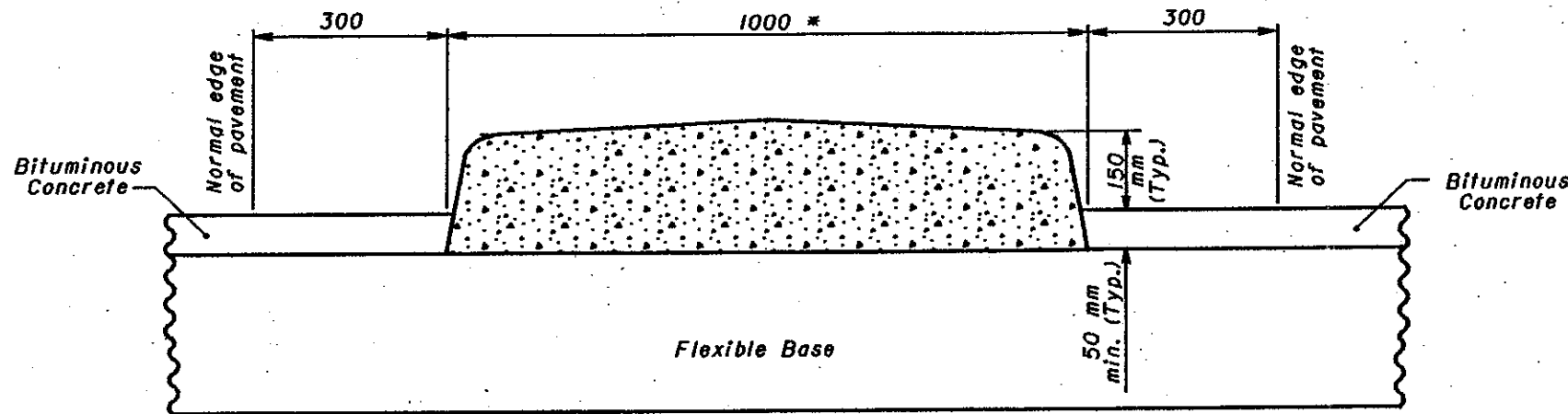
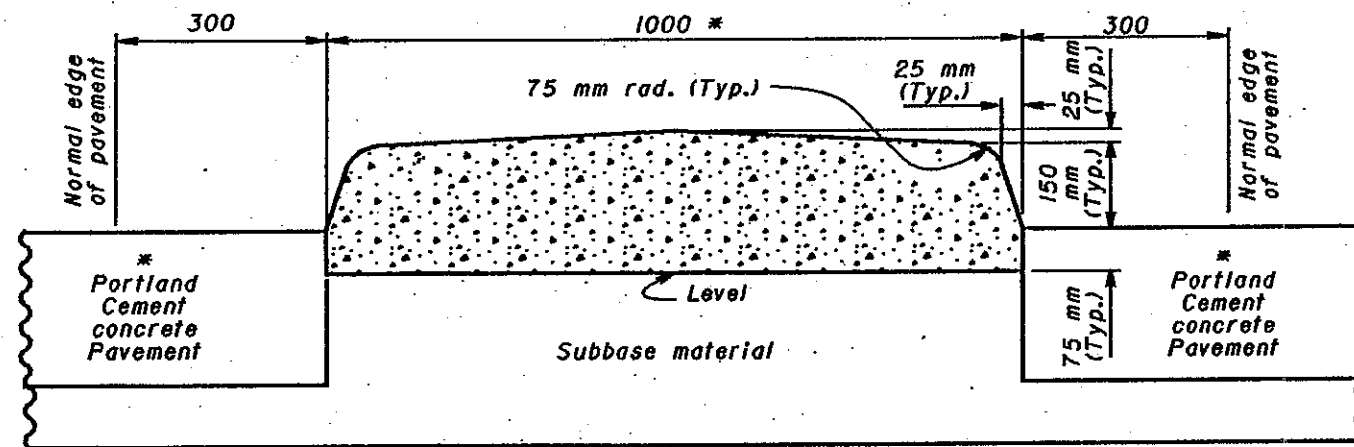


STANDARD TRAFFIC DIVIDERS



CONCRETE MEDIANS

NOTES

CONCRETE MEDIAN PAVEMENT

JOINTS: 6 mm contraction joints shall be constructed at 3 m intervals in accordance with pertinent provisions of CMS 609.04. For additional specifications see CMS 612.

METHOD OF INSTALLATION: When traffic dividers are to be installed on existing Portland Cement Concrete Pavement the surface shall be clean, dry and free of any loose material.

ANCHORS AND GROUT: For median widths of 450 mm or less use one #10M rebar spaced at 900 mm center to center.

For additional specifications see Supplemental Spec. 852.

LEGEND

* Unless otherwise shown in the plans.

All dimensions are in millimeters unless otherwise noted.



This Drawing Replaces MC-6.

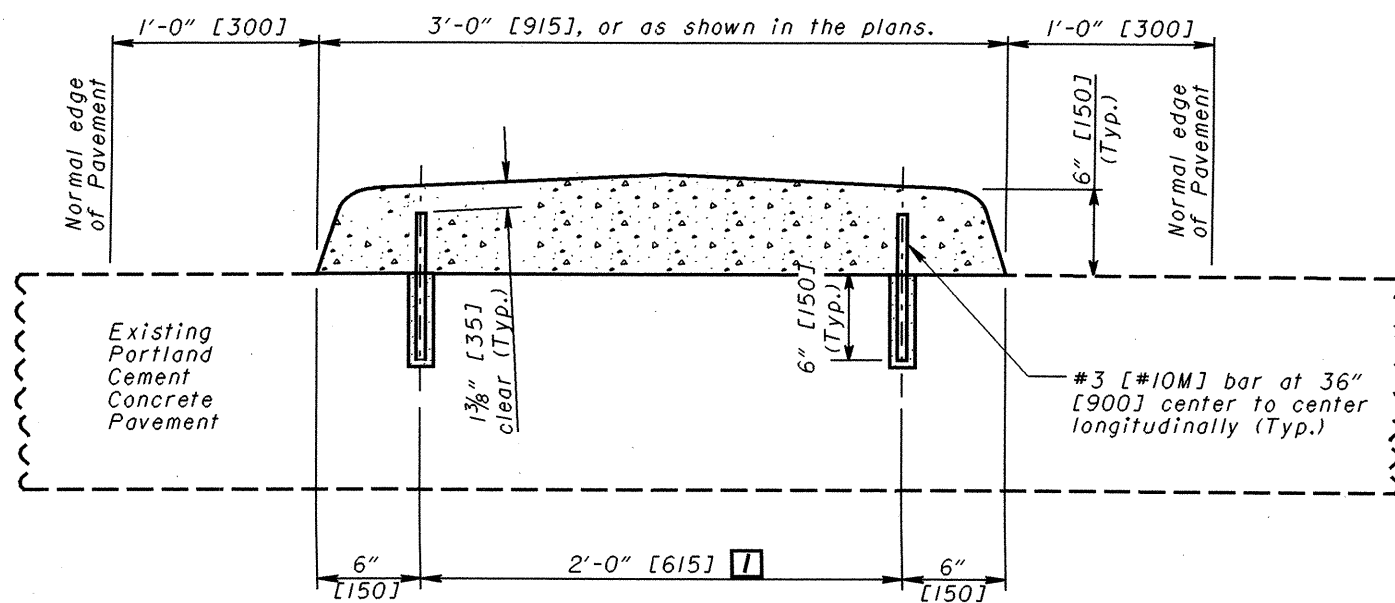
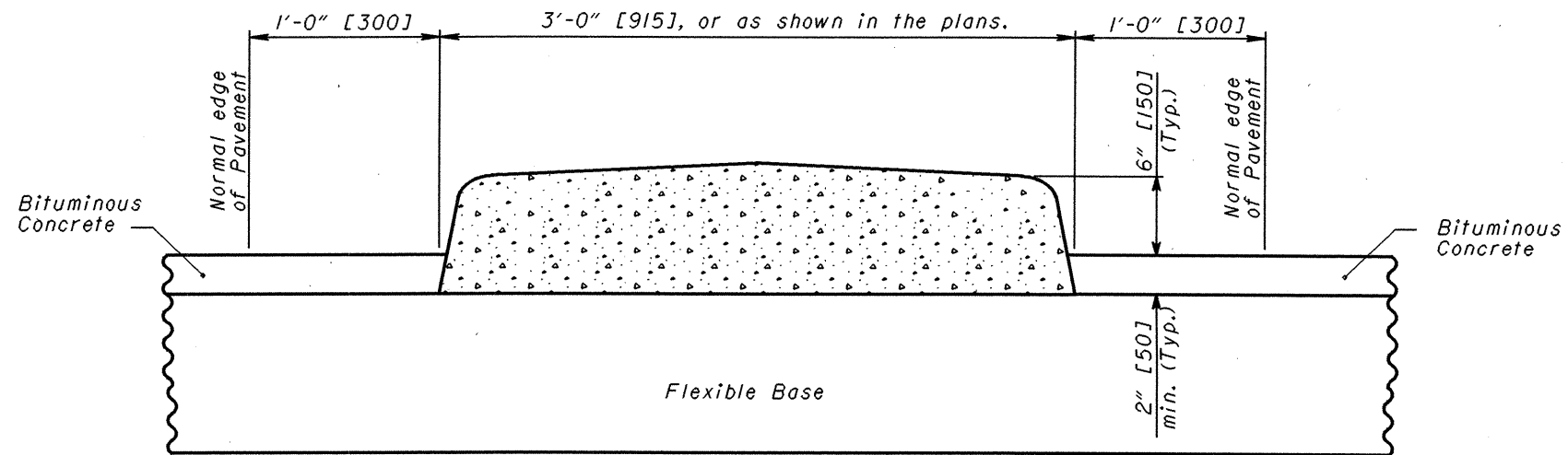
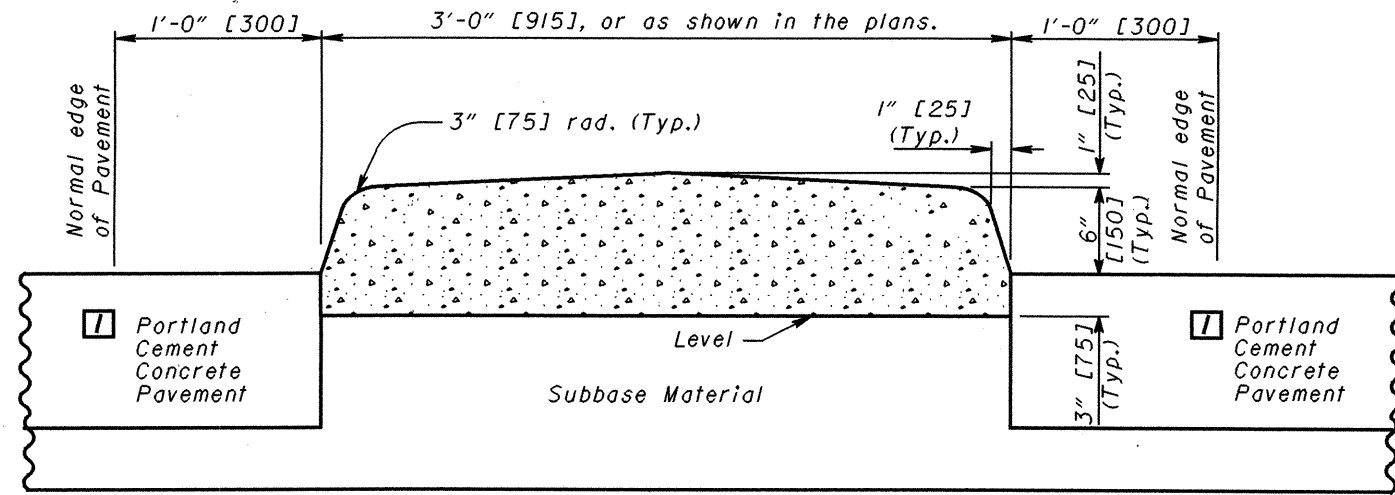
BUREAU OF LOCATION AND DESIGN
OHIO DEPARTMENT OF TRANSPORTATION

TRAFFIC
DIVIDERS

DATE
6-30-95

STANDARD
CONSTRUCTION DRAWING RM-3.1M

APPROVED *D.K. Hulman*
ENGR., L & D



CONCRETE MEDIANS

NOTES

CONCRETE MEDIANS & TRAFFIC ISLANDS: Construct as specified in CMS 609.

ANCHORS AND GROUT: For median widths of 18" [450] or less, use one line of #3 [#10M] rebars at 3'-0" [900] on center spacing.

THIS DRAWING REPLACES RM-3.1M DATED 10-21-97.

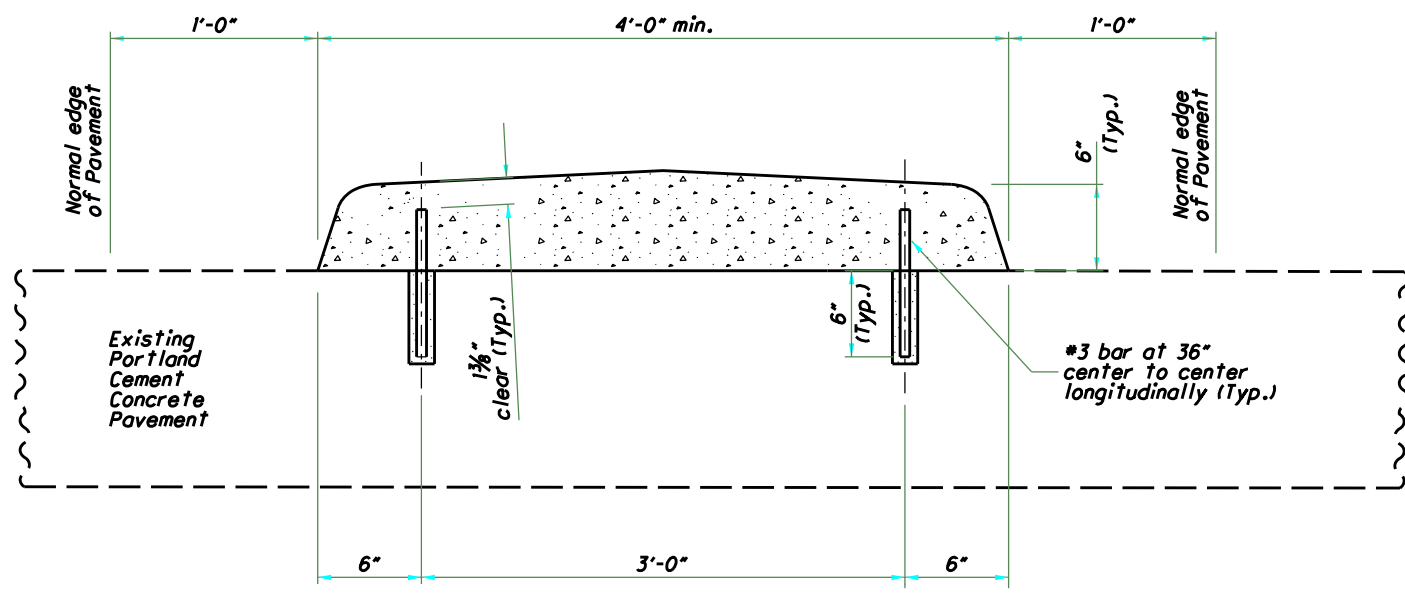
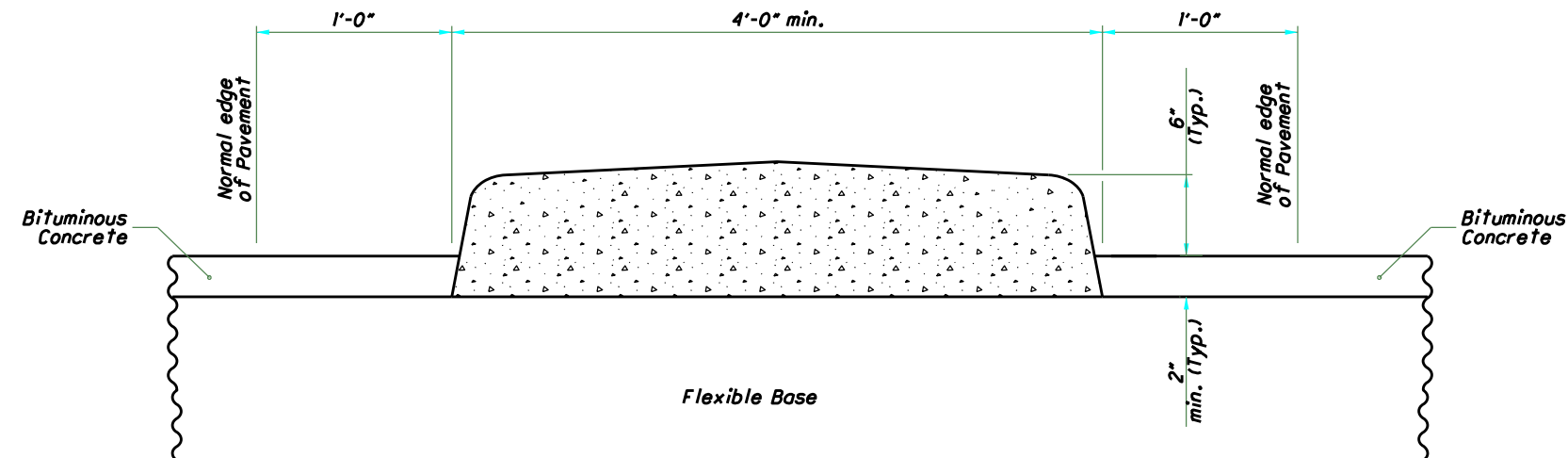
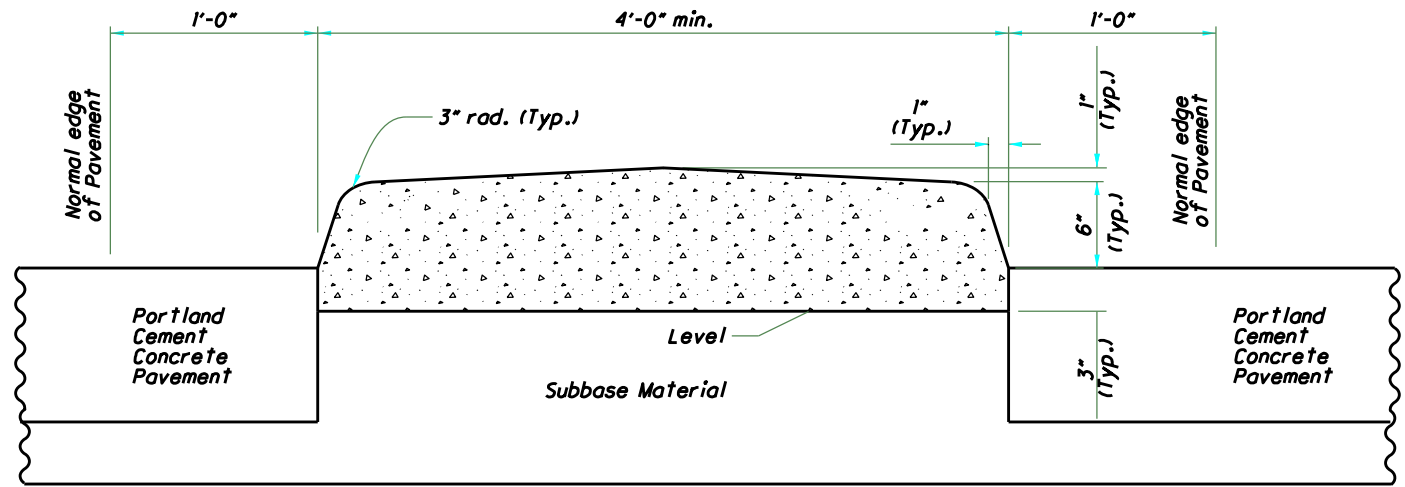
NUMBER
RM-3.1

STANDARD ROADWAY CONSTRUCTION DRAWING
TRAFFIC DIVIDERS

ROADWAY ENGINEERING SERVICES

STDS. ENGR.
D. Focke

OHIO DEPARTMENT OF TRANSPORTATION
4-18-03
DATE
ROADWAY DESIGN ENGINEER



CONCRETE MEDIANS

NOTES

CONCRETE MEDIANS & TRAFFIC ISLANDS: Construct as specified in CMS 609.

ANCHORS AND GROUT: For median widths of 18" or less, use one line of #3 rebar at 3'-0" on center spacing.

THIS DRAWING REPLACES RM-3.1 DATED 4-18-03.

SCD NUMBER
RM-3.1

STANDARD ROADWAY CONSTRUCTION DRAWING
TRAFFIC DIVIDERS

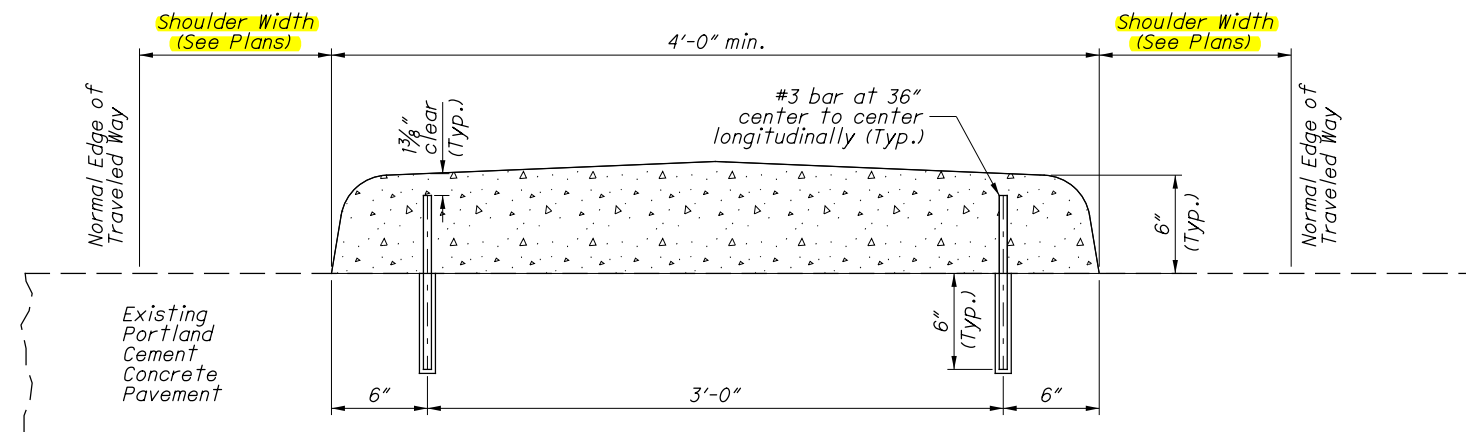
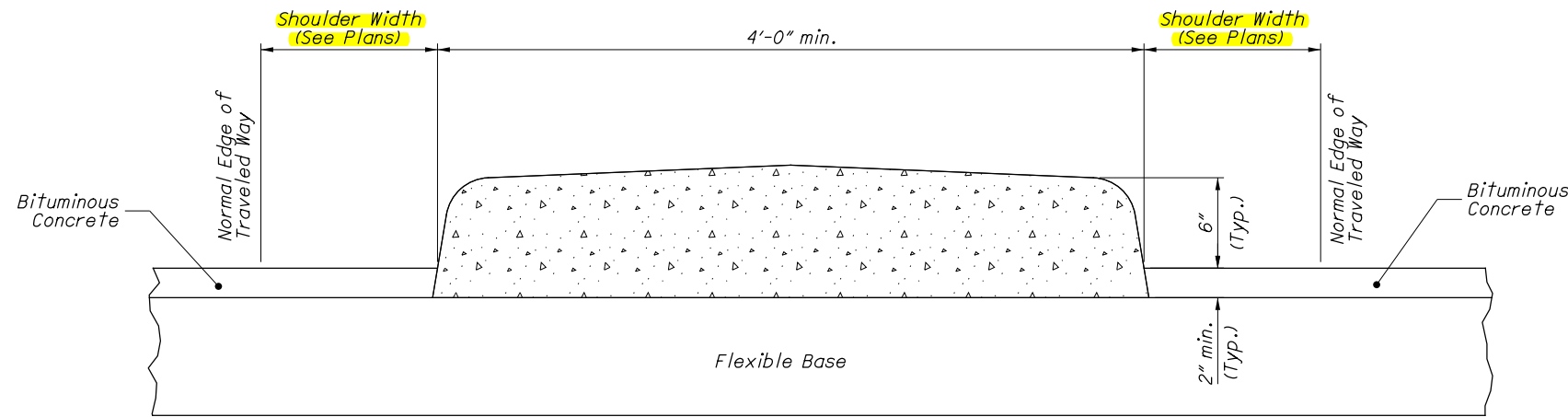
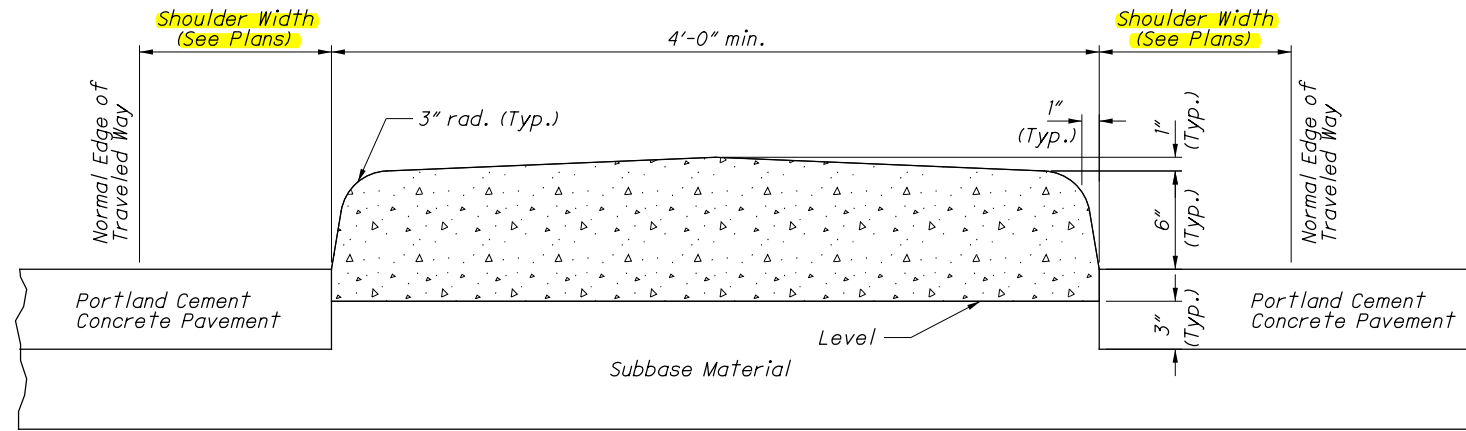
OFFICE OF
ROADWAY
ENGINEERING

ALL METRIC DIMENSIONS
(IN BRACKETS) ARE
IN MILLIMETERS UNLESS
OTHERWISE NOTED.

STDS.
ENGINEER
M. Blaine

STATE OF OHIO DEPARTMENT OF TRANSPORTATION
David B. Brown
ADMINISTRATOR

10-15-10
DATE



CONCRETE MEDIANS

NOTES

CONCRETE MEDIANS & TRAFFIC ISLANDS: Construct as specified in CMS 609.

ANCHORS AND GROUT: For median widths of 18" or less, use one line of #3 rebars at 3'-0" on center spacing.

SHOULDER WIDTH: See Location and Design Manual Volume 1, for shoulder width if not specified in the plans.

THIS DRAWING REPLACES RM-3.1 DATED 10-15-10.

SD NUMBER
RM-3.1

STANDARD ROADWAY CONSTRUCTION DRAWING
TRAFFIC DIVIDERS

OFFICE OF ROADWAY ENGINEERING

STATE ENGINEER
M. Ruppe

STATE OF OHIO DEPARTMENT OF TRANSPORTATION
Michael Bline
ADMINISTRATOR
7-19-2013
DATE