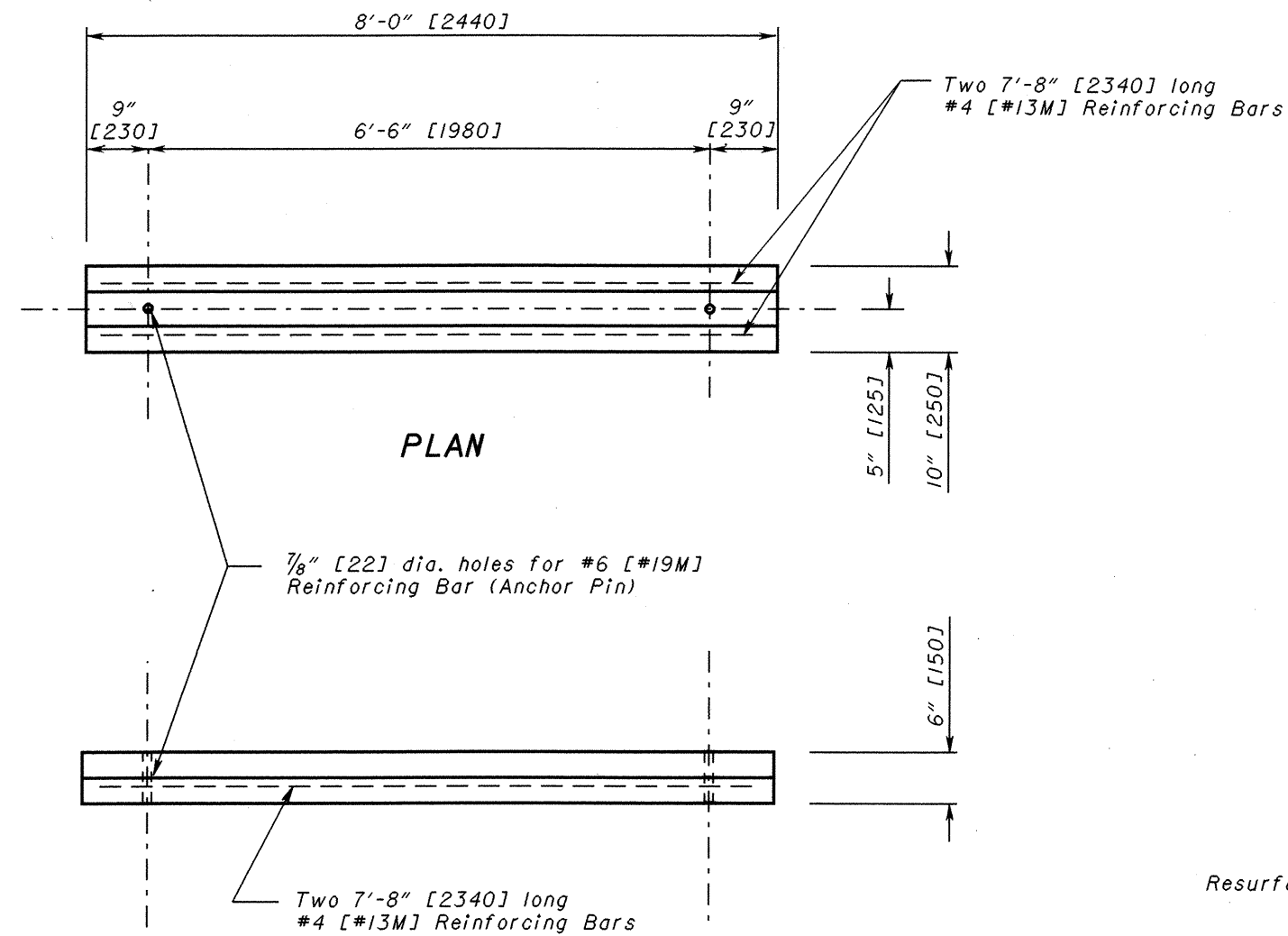


30" [750] long  
#6 [#19M] Reinforcing Bar

ANCHOR PIN



PLAN

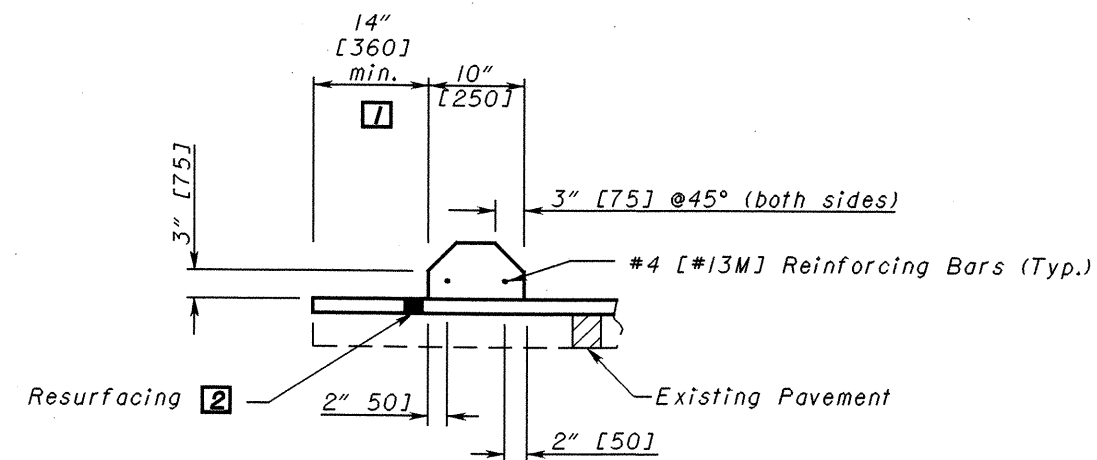
ELEVATION

NOTES

- 1) All materials used to manufacture the concrete parking block shall be in accordance with CMS 604.
- 2) The material requirements for the anchor pin shall be in accordance with CMS 509.02.
- 3) All #4 [#13M] reinforcing bars shall be epoxy coated as per CMS 509.
- 4) Reinforcing steel shall be placed 2" [50] clear (minimum) from the surface of the concrete.
- 5) Payment will be made as **Item Special, Concrete Parking Block, Each** and includes reinforcing steel and anchor pins.

LEGEND

- 1 14" [360] is the normal setback distance from a pavement edge.
- 2 In a remove and reset operation, the block would go on new or resurfaced pavement. However, it may be necessary on some projects to place new blocks on existing pavement.



SECTION

OHIO DEPARTMENT OF TRANSPORTATION

STOS. ENGR. *Raymond F. Focke*

ROADWAY ENGINEERING SERVICES

STANDARD ROADWAY CONSTRUCTION DRAWING

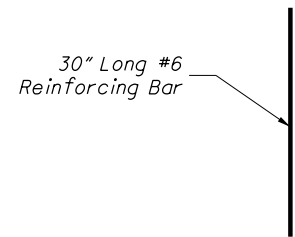
CONCRETE PARKING BLOCK DETAIL

NUMBER RM-6.J

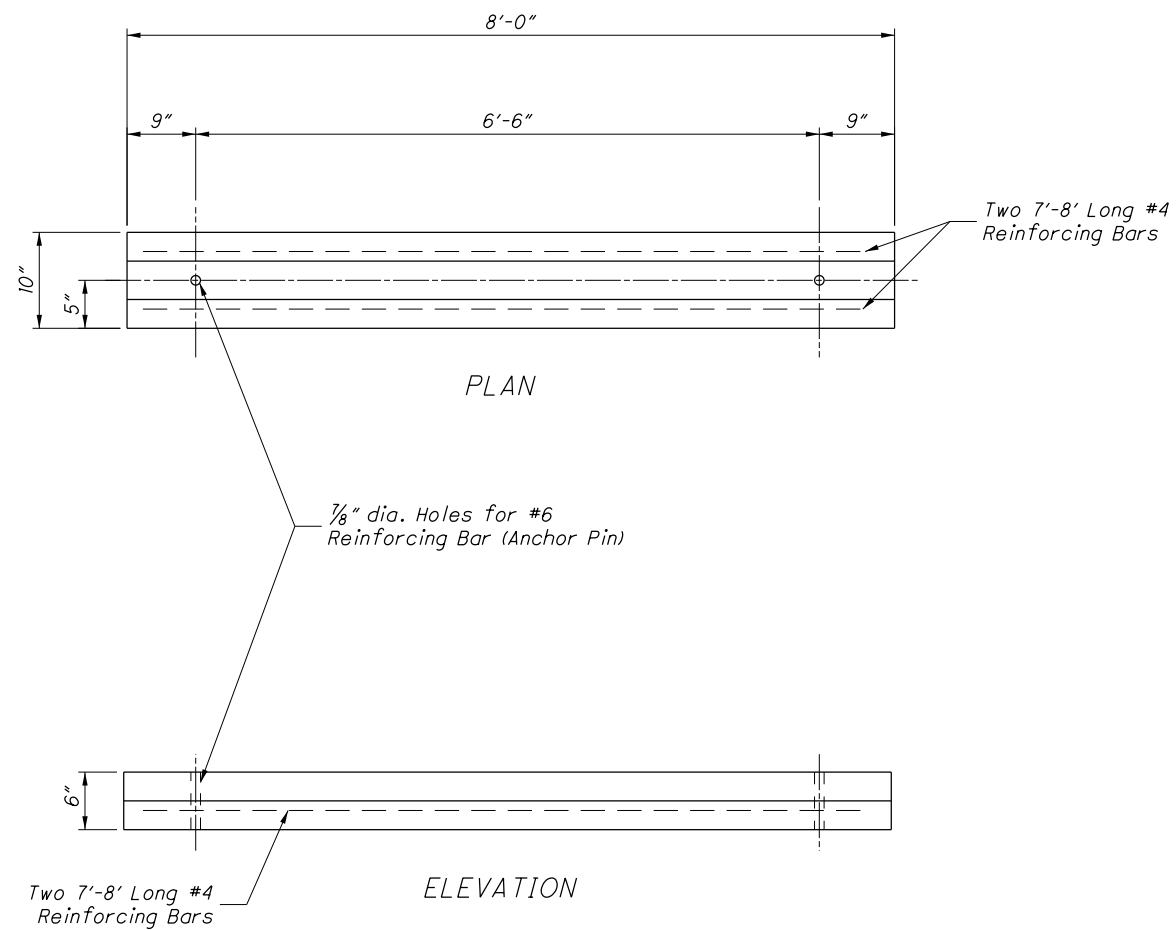
DATE 10-17-03

ROADWAY DESIGN ENGINEER

NEW DRAWING



ANCHOR PIN

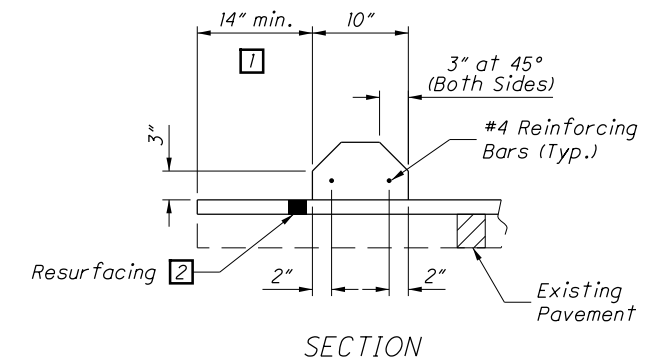


NOTES:

1. All materials used to manufacture the concrete parking block shall be in accordance with CMS 499 OC 1 or OC Misc.
2. The material requirements for the anchor pin shall be in accordance with CMS 509.02.
3. All #4 reinforcing bars shall be epoxy coated as per CMS 509.
4. Reinforcing steel shall be placed 2" clear (min.) from the surface of the concrete.
5. Payment will be made as **Item Special, Concrete Parking Block, Each** and includes reinforcing steel and anchor pins.

LEGEND

- ① 14" is the normal setback distance from a pavement edge.
- ② In a remove and reset operation, the block would go on new or resurfaced pavement. However, it may be necessary on some projects to place new blocks on existing pavement



THIS DRAWING REPLACES RM-6.1 DATED 10-17-2003.

SD NUMBER  
**RM-6.1**

STANDARD ROADWAY CONSTRUCTION DRAWING  
**CONCRETE PARKING BLOCK DETAIL**

OFFICE OF  
ROADWAY  
ENGINEERING

STATUS  
ENGINEER  
M. Ruppe

STATE OF OHIO DEPARTMENT OF TRANSPORTATION  
*Rupaldo Stangell*  
ADMINISTRATOR  
07-18-2014  
DATE