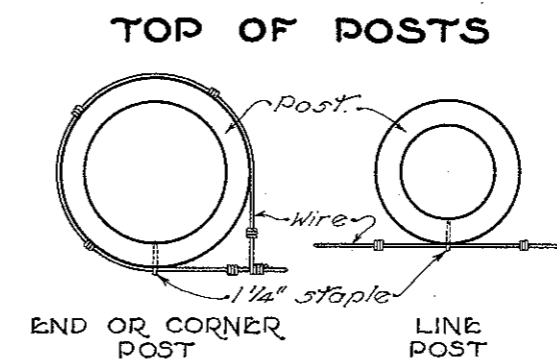
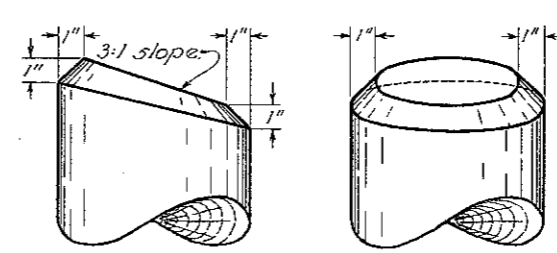
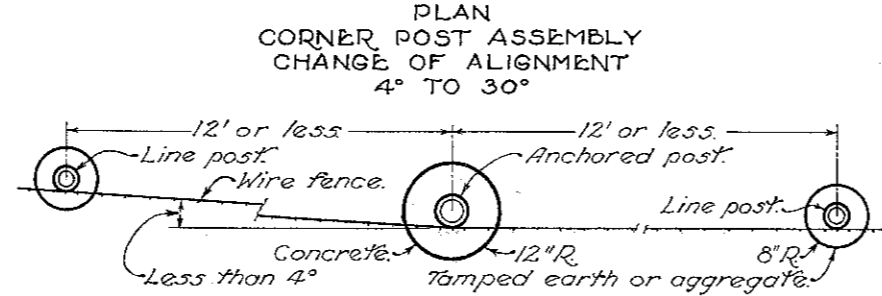
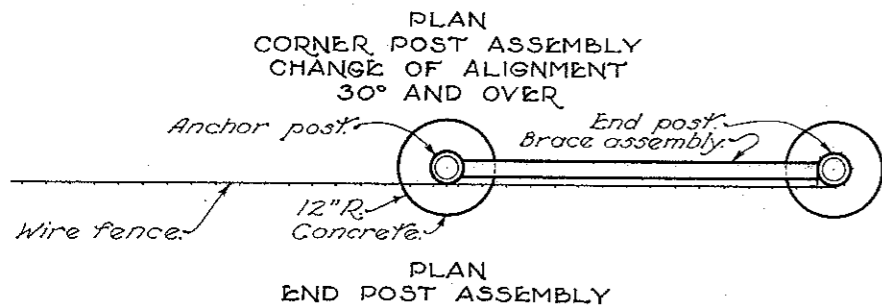
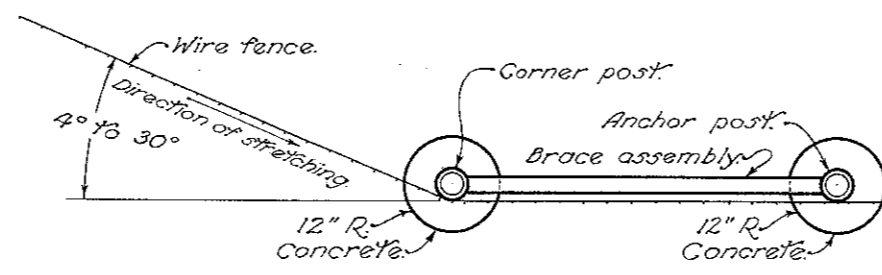
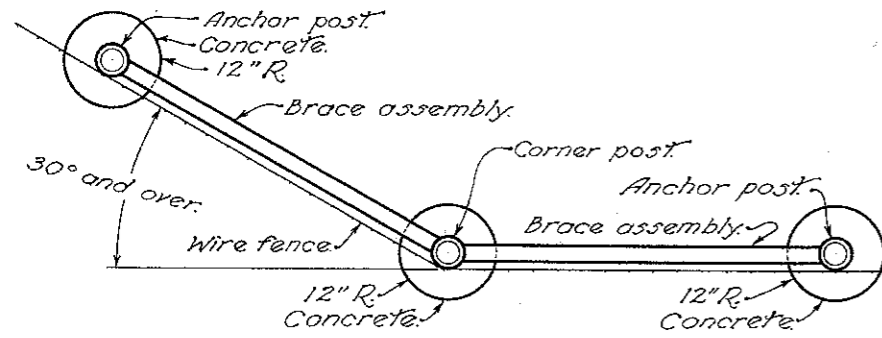
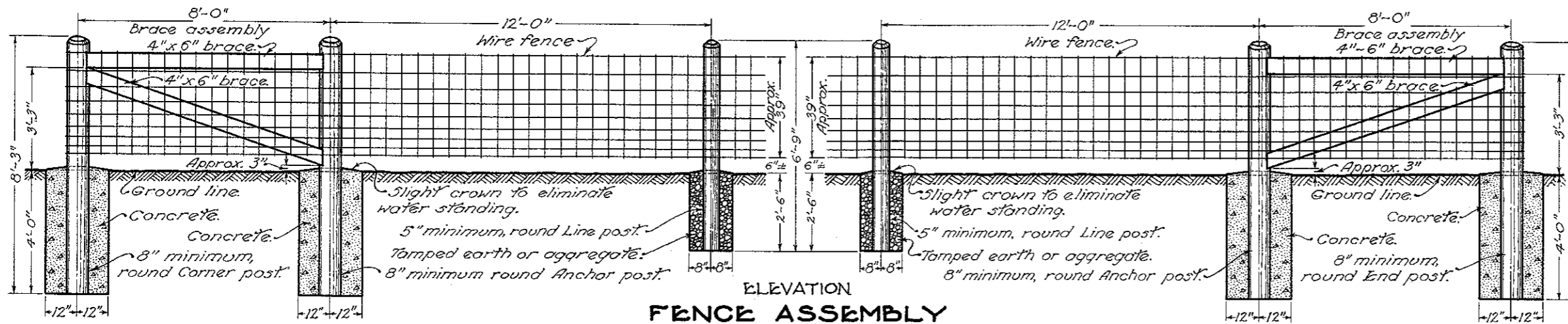
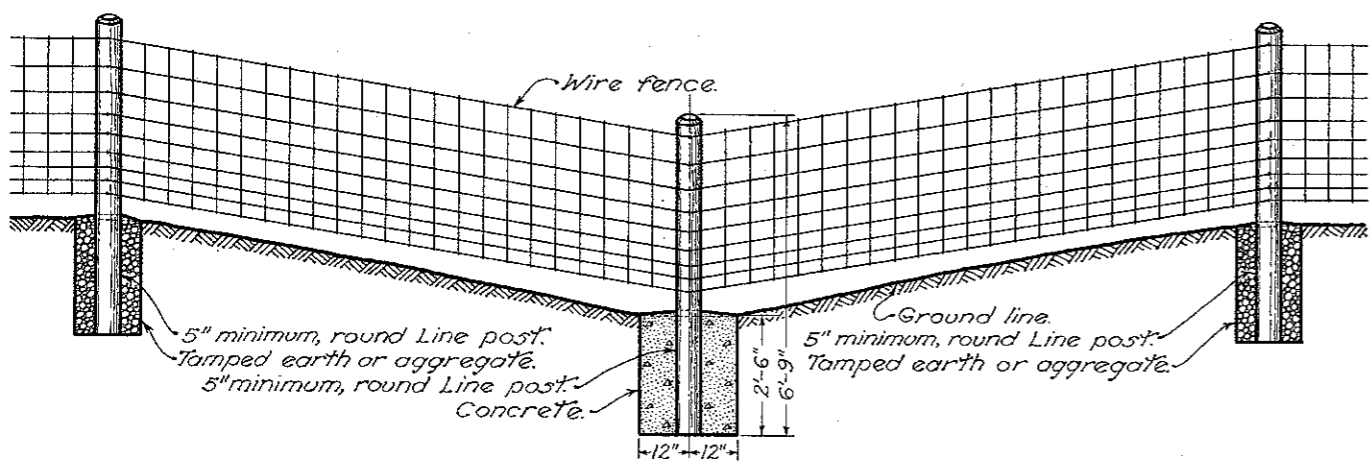


FENCE DETAIL

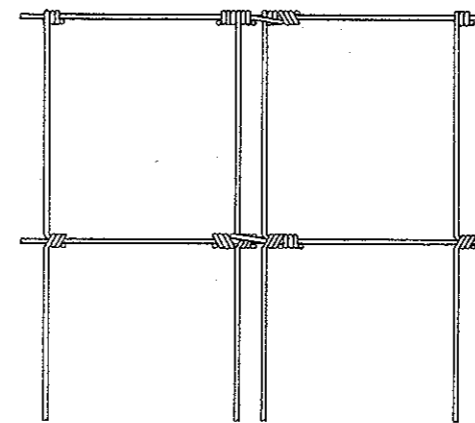


POST ASSEMBLY



7"	Approx. 39" Inches between bars.
6"	
5 1/2"	
5"	
4 1/2"	
4"	
3 1/2"	
3"	

← 6" →



WIRE FENCE DETAILS

LINE POST IN DIP SECTION

NOTES

GENERAL: Park fence shall be built in accordance with the details shown hereon, in conjunction with the provisions of Supplemental Specification No. 18.

POSTS AND BRACES: All posts shall be round wood posts meeting the specifications for round wood guard rail posts. End posts, corner posts, anchor posts, and line posts at the bottom of dips shall be encased in concrete as shown. Line posts, except those at the bottom of dips shall be set in tamped earth or aggregate.

Braces shall be of the dimensions shown and shall be fastened to the posts with No. 16 nails.

Posts and braces shall be treated in accordance with the requirements for Pentachlorophenol Treated Lumber, Section M-8 to a retention of 8 pounds per cubic foot of wood. Painting will not be required.

Posts shall be placed so that the side toward the highway or park will be located 2 feet inside the right of way line or park boundary.

FABRIC: The wire fence shall be Type A, woven Steel Wire Fence modified to provide 39 inch height with 6 inch spacing of stays. All wires shall be No. 9 gage.

CONCRETE: Concrete shall be Class E and shall be governed by the provisions of Item 5-1 except that post holes shall be excavated to neat lines and concrete poured without forms.

BUREAU OF LOCATION AND DESIGN
OHIO DEPARTMENT OF HIGHWAYS

ROADSIDE PARKS

DATE: 7-2-56

STANDARD CONSTRUCTION DRAWING
APPROVED: *[Signature]* ENGR. L. & D.

R.P. No. 1