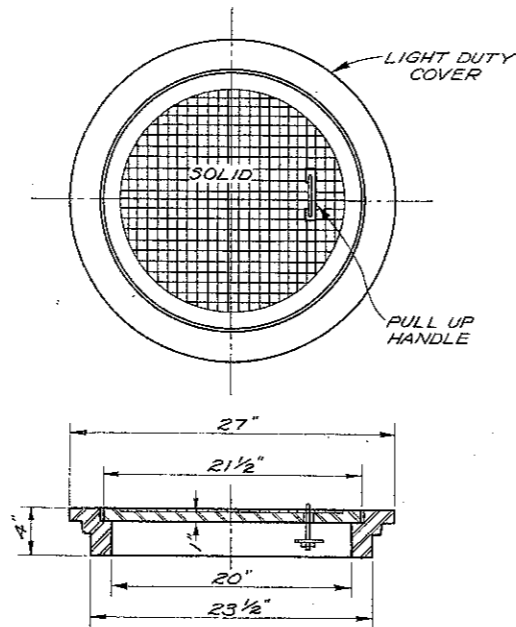
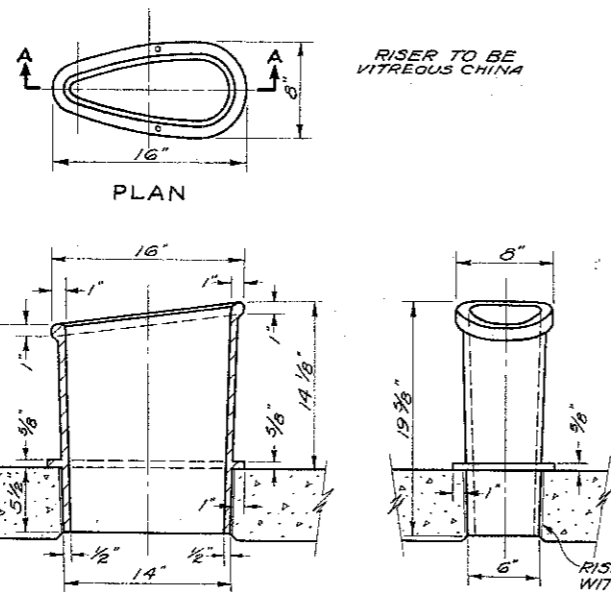


COMBINATION TOILET AND STORAGE BUILDING

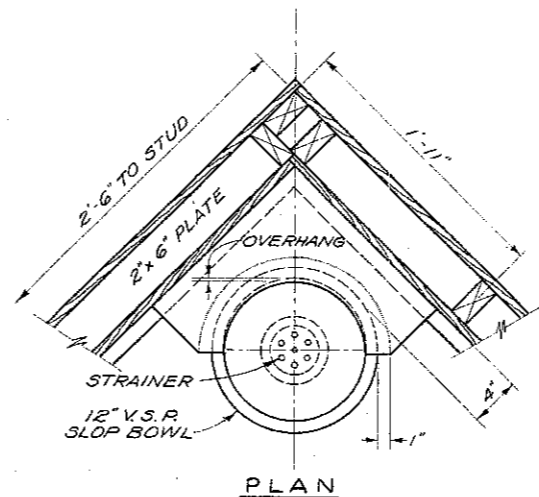


MANHOLE COVER
MINIMUM WEIGHT OF RING & COVER - 60 POUNDS

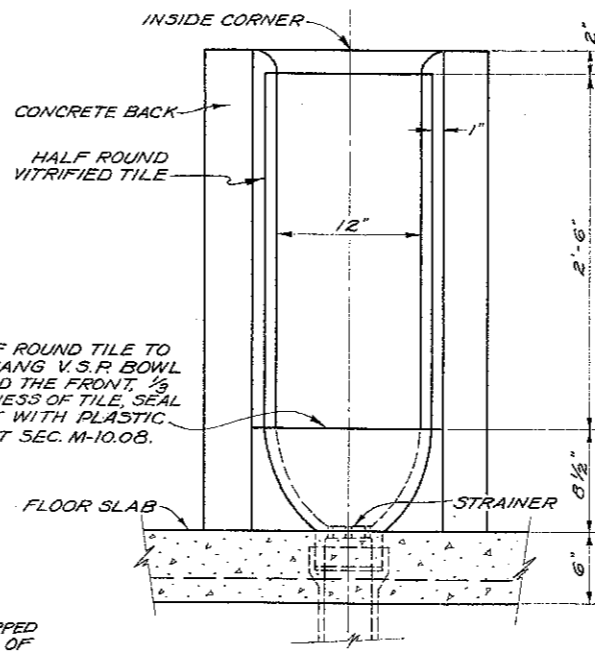


SECTION A-A
RISER WITHOUT SEAT

FRONT VIEW

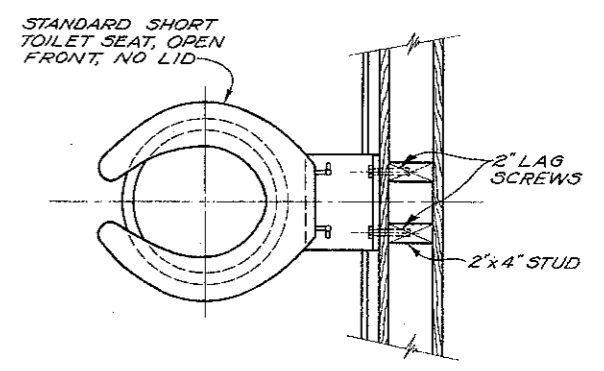


PLAN

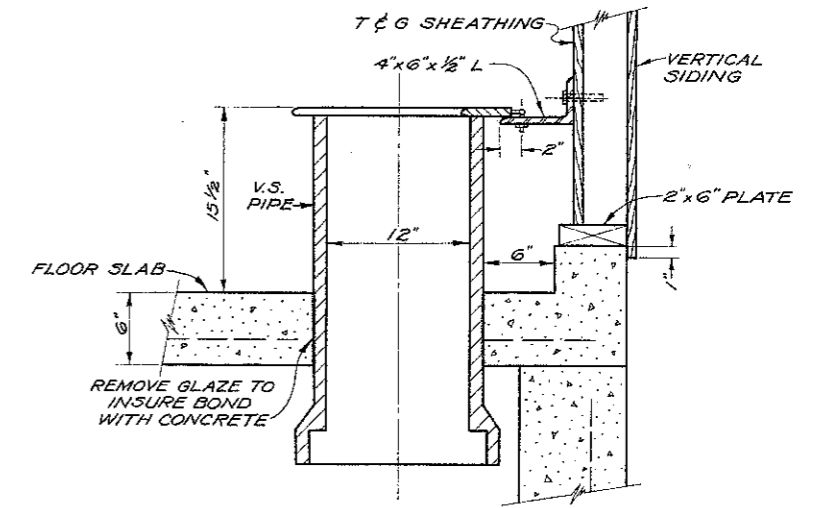


SECTION
MEN'S URINAL

HALF ROUND TILE TO OVERHANG V.S.P. BOWL TOWARD THE FRONT, 1/8" THICKNESS OF TILE, 1/8" JOINT WITH PLASTIC CEMENT SEC. M-10.08.



PLAN



SECTION
RISER & PRIVY SEAT DETAIL

BUREAU OF LOCATION AND DESIGN OHIO DEPARTMENT OF HIGHWAYS	
ROADSIDE PARKS	
STANDARD CONSTRUCTION DRAWING	R.P. No. 4-C
APPROVED <i>W.E. Shultz</i> ENGR. L. & D.	DATE 7-1-57