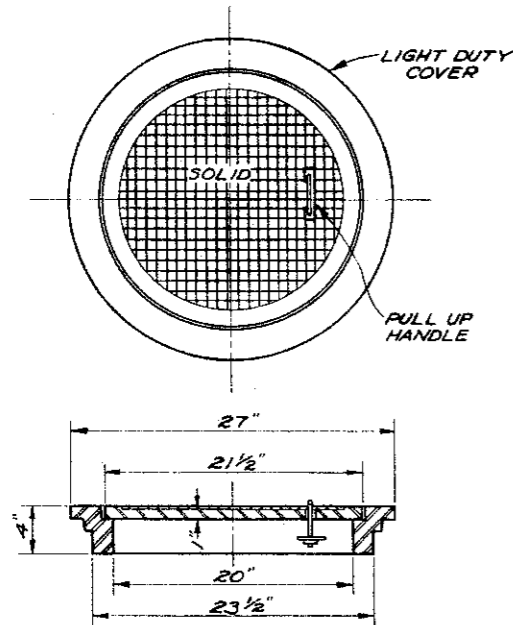


ROADSIDE TOILET AND STORAGE UNIT

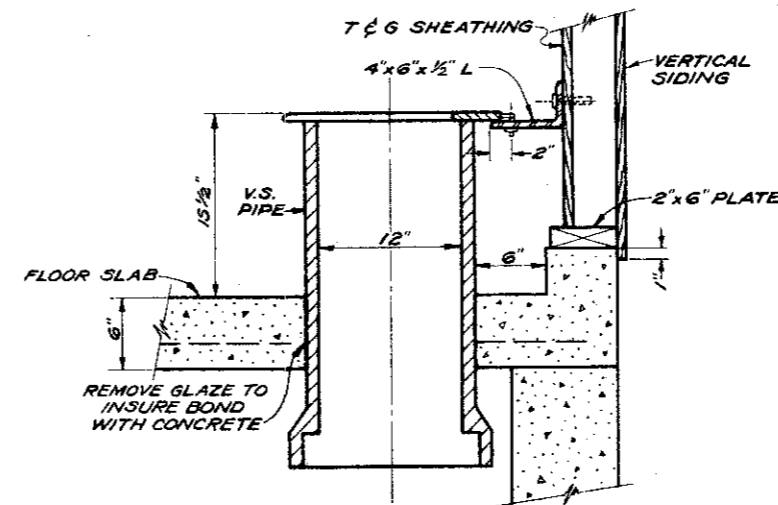
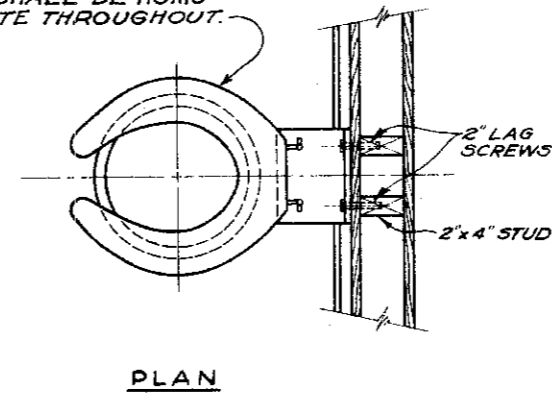
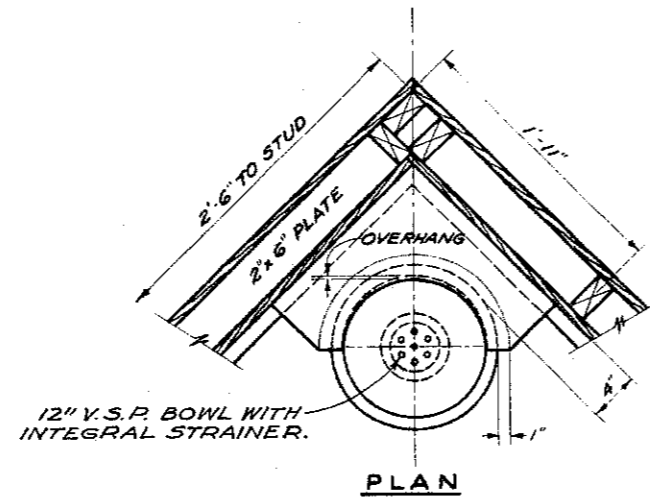
NOTES

See also Standard Drawing R.R.A. No. 4-B.

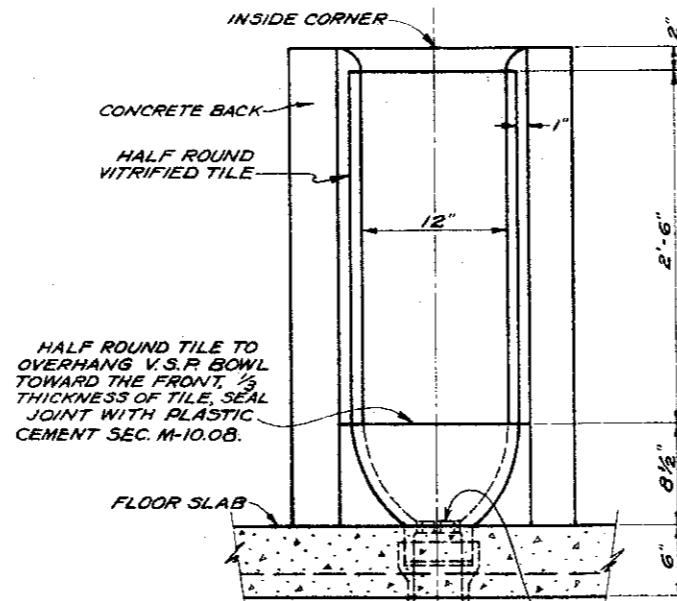
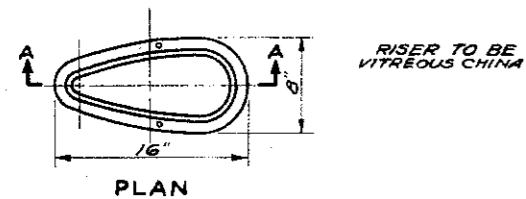
STANDARD SHORT TOILET SEAT, OPEN FRONT, NO LID, SHALL BE OF SOLID WHITE FIREPROOF PLASTIC, WITH FLAT UNDER SURFACE. IT SHALL BE MOLDED WITHOUT JOINTS, SEAMS OR CREVICES AND SHALL BE HOMOGENEOUSLY WHITE THROUGHOUT.



MANHOLE COVER
MINIMUM WEIGHT OF RING & COVER - 80 POUNDS



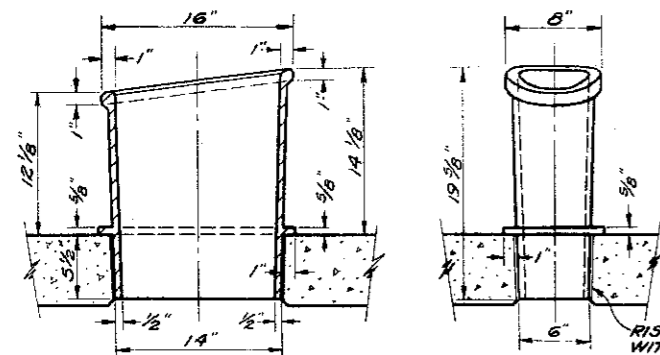
SECTION
RISER & PRIVY SEAT DETAIL



SECTION
MEN'S URINAL

HALF ROUND TILE TO OVERHANG V.S.P. BOWL TOWARD THE FRONT, 1/8" THICKNESS OF TILE, SEAL JOINT WITH PLASTIC CEMENT SEC. M-10.08.

STRAINER SHALL BE INTEGRAL PART OF V.S.P. BOWL.



SECTION A-A
RISER WITHOUT SEAT

FRONT VIEW

RISER TO BE WRAPPED WITH TWO LAYERS OF 15 POUND TAR PAPER PRIOR TO INSTALLATION

BUREAU OF LOCATION AND DESIGN
OHIO DEPARTMENT OF HIGHWAYS

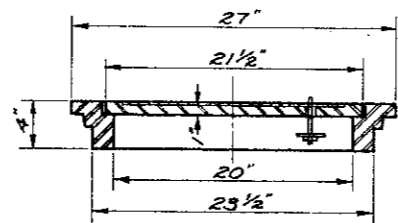
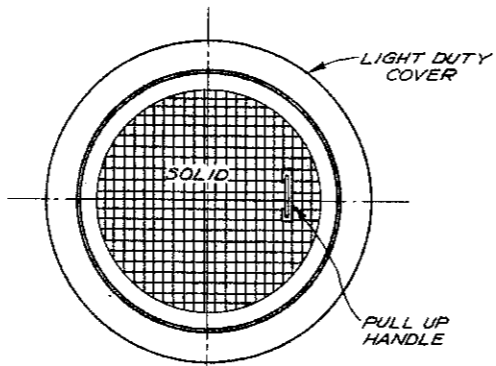
**ROADSIDE
REST
AREAS**

DATE
7-1-57
4-24-58

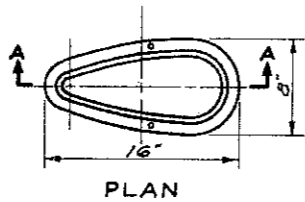
STANDARD CONSTRUCTION DRAWING
APPROVED: *[Signature]* ENGR. L. & D.

R.R.A.
No. 4-C

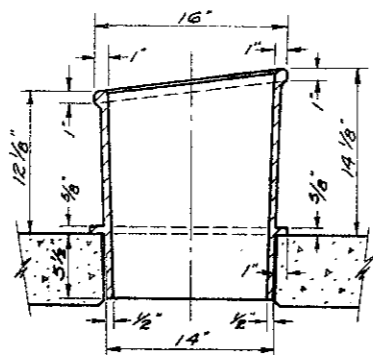
ROADSIDE TOILET AND STORAGE UNIT



MANHOLE COVER
MINIMUM WEIGHT OF RING & COVER - 50 POUNDS

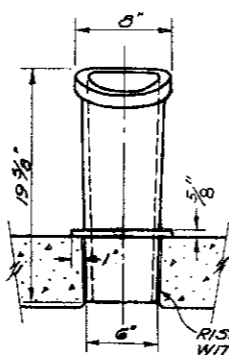


RISER TO BE VITREOUS CHINA



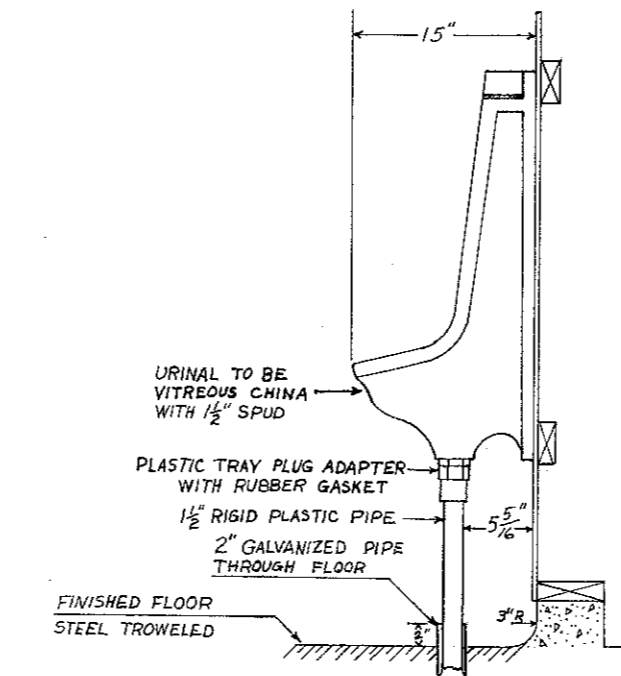
SECTION A-A

RISER WITHOUT SEAT

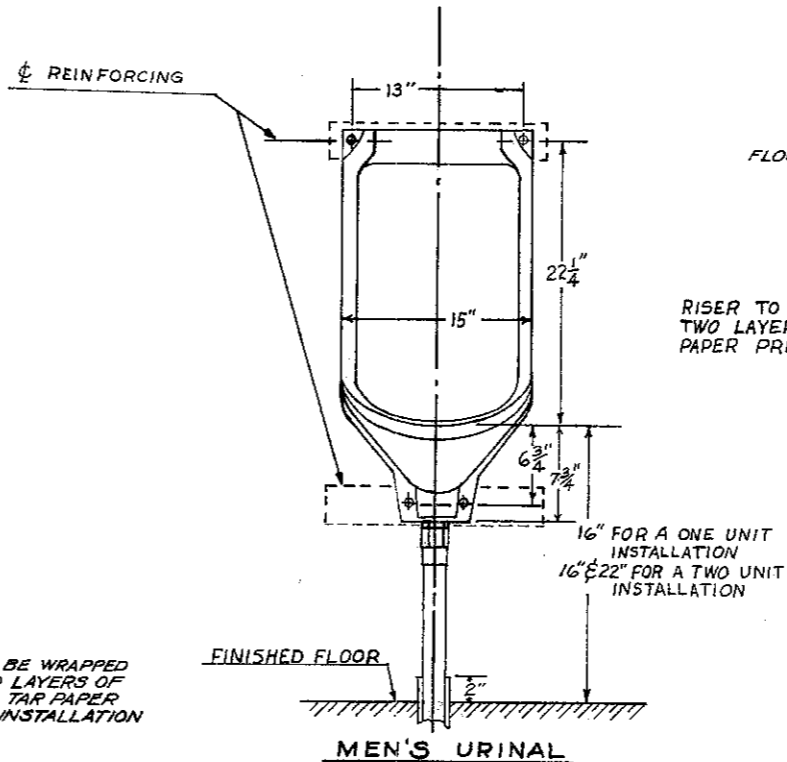


FRONT VIEW

RISER TO BE WRAPPED WITH TWO LAYERS OF 15 POUND TAR PAPER PRIOR TO INSTALLATION

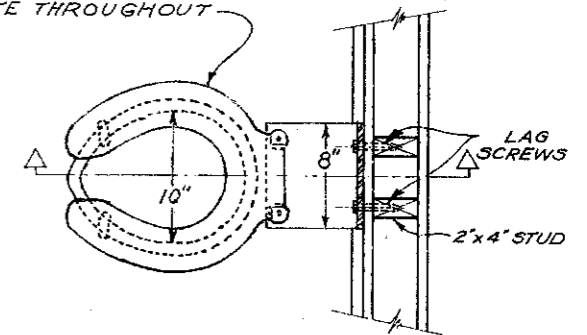


FINISHED FLOOR
STEEL TROWELED

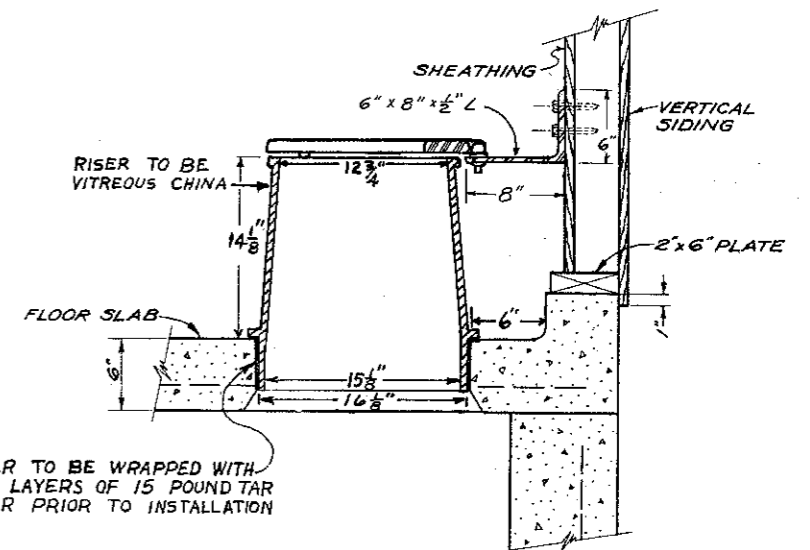


16" FOR A ONE UNIT INSTALLATION
16" & 22" FOR A TWO UNIT INSTALLATION

STANDARD SHORT TOILET SEAT, OPEN FRONT, NO LID, SHALL BE OF SOLID WHITE FIREPROOF PLASTIC, WITH FLAT UNDER SURFACE. IT SHALL BE MOLDED WITHOUT JOINTS, SEAMS OR CREVICES AND SHALL BE HOMOGENEOUSLY WHITE THROUGHOUT



PLAN



SECTION
RISER & PRIVY SEAT DETAIL

BUREAU OF LOCATION AND DESIGN
OHIO DEPARTMENT OF HIGHWAYS

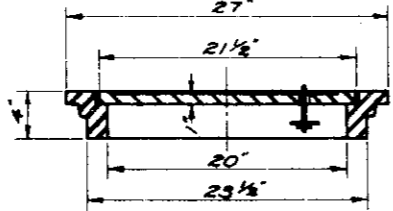
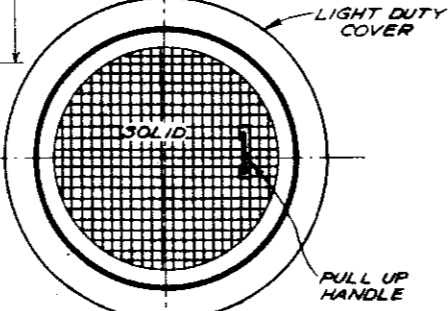
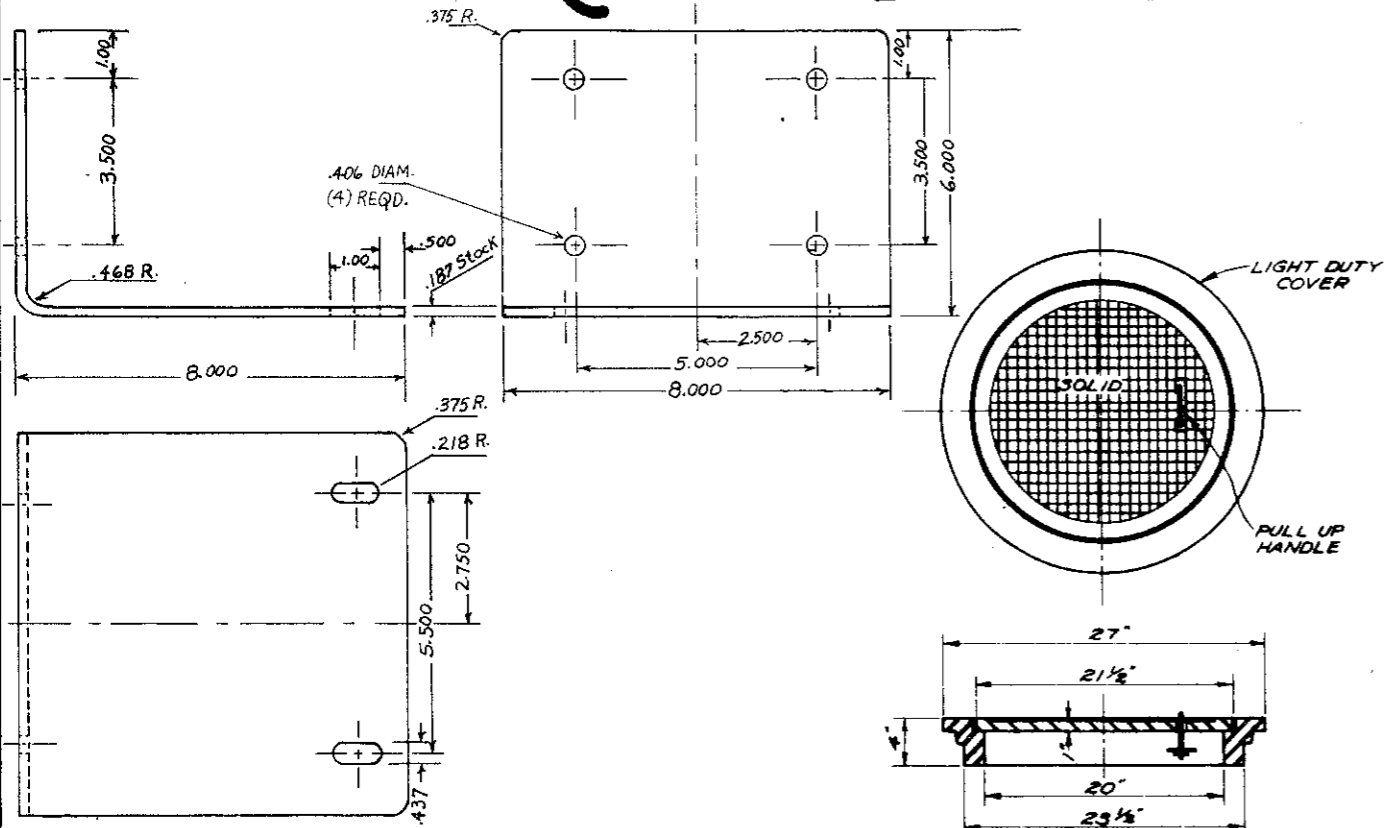
ROADSIDE REST AREAS

STANDARD CONSTRUCTION DRAWING
APPROVED *D.P. Little* ENGR. L. & D.

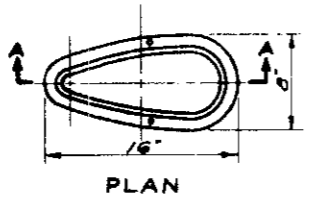
R.R.A.
NO. 4-C

DATE:
7-1-57
4-24-58
10-1-63
10-15-63

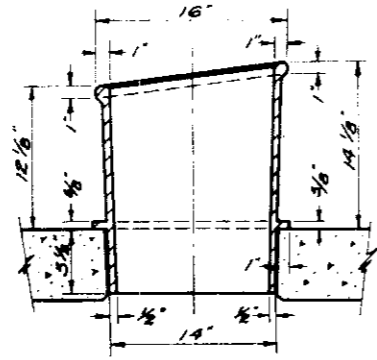
ROADSIDE TOILET AND STORAGE UNIT



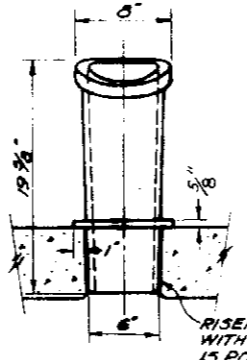
MANHOLE COVER
MINIMUM WEIGHT OF RING & COVER - 80 POUNDS



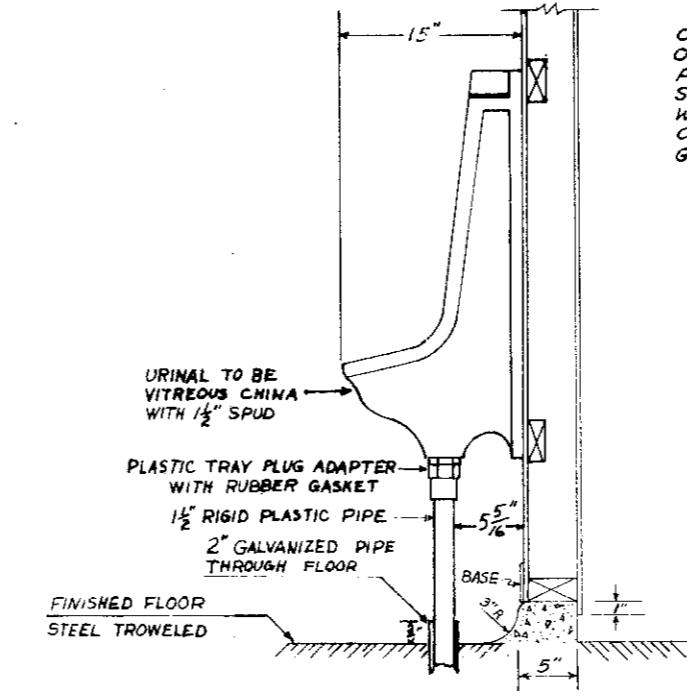
RISER TO BE VITREOUS CHINA



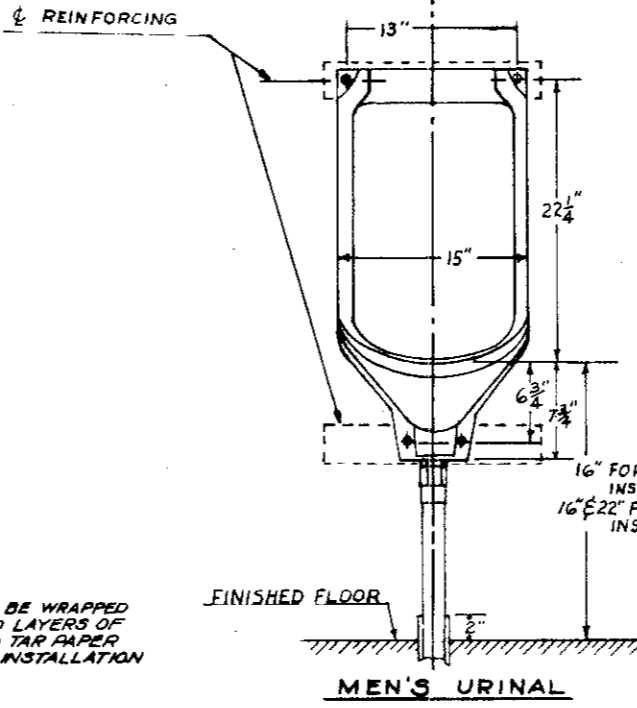
SECTION A-A
RISER WITHOUT SEAT



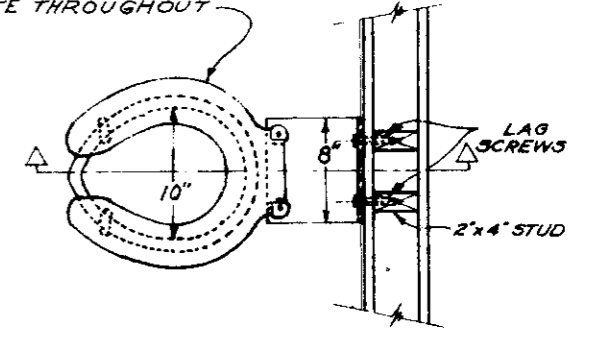
RISER TO BE WRAPPED WITH TWO LAYERS OF 15 POUND TAR PAPER PRIOR TO INSTALLATION



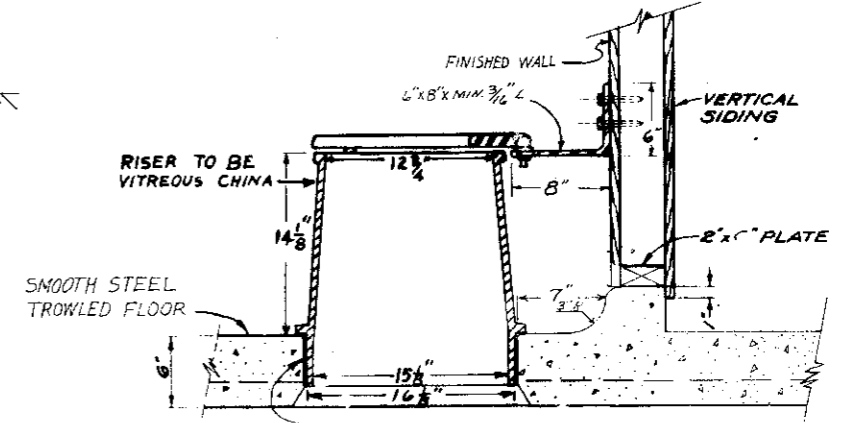
FINISHED FLOOR
STEEL TROWELED



STANDARD SHORT TOILET SEAT, OPEN FRONT, NO LID, SHALL BE OF SOLID WHITE FIREPROOF PLASTIC, WITH FLAT UNDER SURFACE. IT SHALL BE MOLDED WITHOUT JOINTS, SEAMS OR CREVICES AND SHALL BE HOMOGENEOUSLY WHITE THROUGHOUT



PLAN



RISER TO BE WRAPPED WITH TWO LAYERS OF 15 POUND TAR PAPER PRIOR TO INSTALLATION

SECTION
RISER & PRIVY SEAT DETAIL

16" FOR A ONE UNIT INSTALLATION
16" x 22" FOR A TWO UNIT INSTALLATION

BUREAU OF LOCATION AND DESIGN
OHIO DEPARTMENT OF HIGHWAYS

ROADSIDE REST AREAS

STANDARD CONSTRUCTION DRAWING
R.R.A. NO. 4-C
APPROVED *[Signature]* ENGR. L. & D.

DATE
7-1-57
4-24-58
10-1-63
10-15-63
3-1-65

Unissued: Use 10-15-63 issue except as specifically requested.