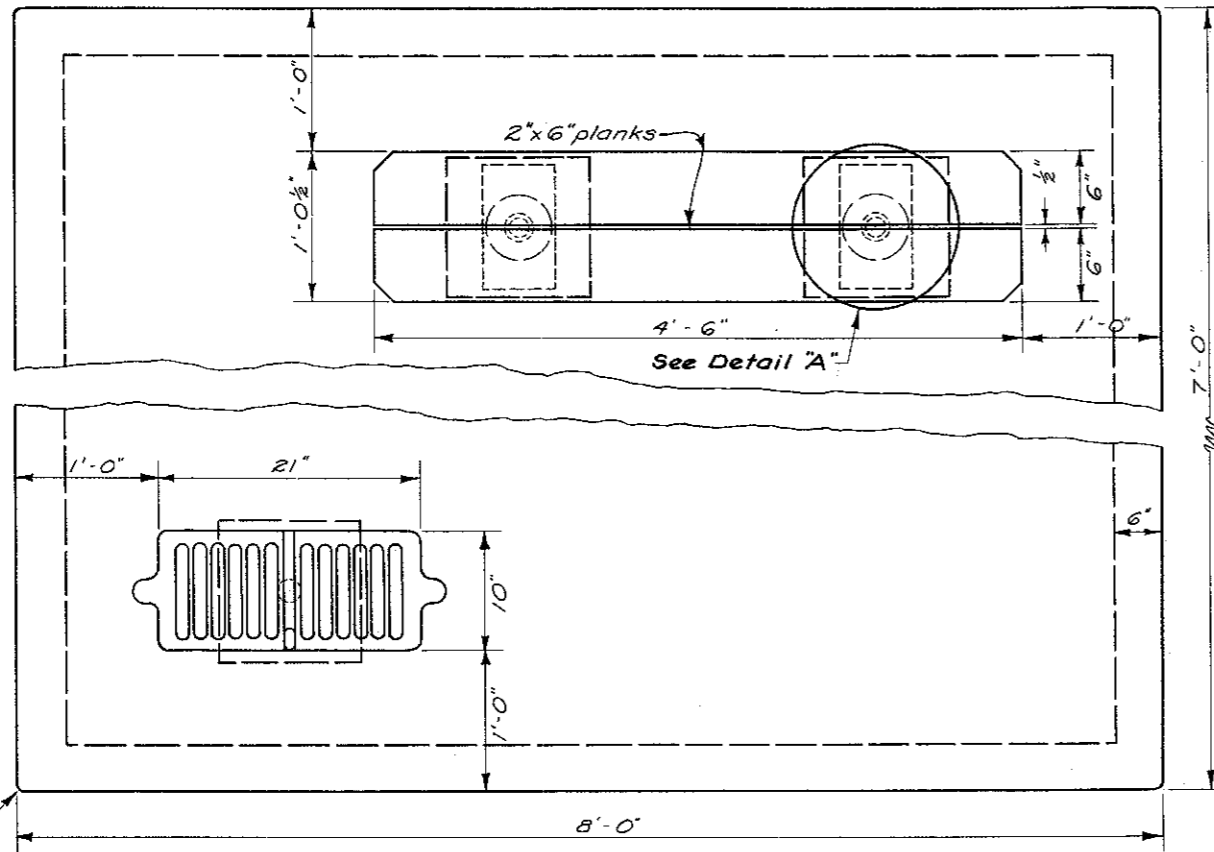
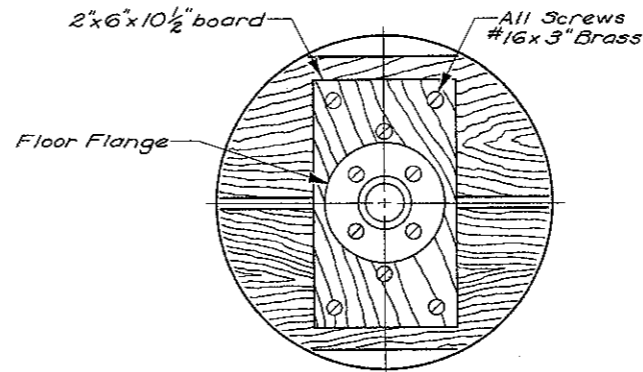


CHARCOAL GRILL AND SERVING TABLE



PLAN VIEW



DETAIL "A"
METHOD OF ATTACHING
PIPE TO TABLE TOP

BILL OF MATERIALS

- 1 Charcoal Grill
 - 2 1 1/2" I.D. x 3'-6" Galvanized Pipe
 - 2 2" x 6" x 4'-6" Planks for table top
 - 2 2" x 6" x 10 1/2" Boards for Serving Table
 - 2 1 1/2" Floor Flanges for 1 1/2" I.D. Pipe
 - 20 #16 x 5" Brass Screws
- Concrete for Structures, Class "C"
Type "A" Mesh Fabric, Std. Drawing B-T-71R
or 1/2" min. ϕ Bars.

NOTES

Item Special - CHARCOAL GRILL & SERVING TABLE.

METHOD OF MEASUREMENT:
The charcoal grill and serving table shall be considered as one unit. The number of units to be paid for shall be the number completed and accepted.

BASIS OF PAYMENT:
The work included in this item shall be paid for at the contract unit price bid for each "Item Special - Charcoal Grill and Serving Table" completed and accepted, which price and payment shall constitute full compensation for all excavation and backfill, and for furnishing, hauling and placing all materials, and for all labor, equipment, tools and incidentals necessary to complete this item.

All lumber shall be S&S, Std. K.D., No. 1 common or better, Southern Yellow Pine or Douglas Fir, Item M-8 Specifications for lumber.

All lumber shall be treated in accordance with the requirements for "Pentachlorophenol Treatment," Sec. M-8.3.

All screws shall be brass.

Concrete slab shall be finished so that water will drain from top of slab.

Concrete shall be class "C" and constructed in accordance with the requirements of Item 5-1 of the Specifications.

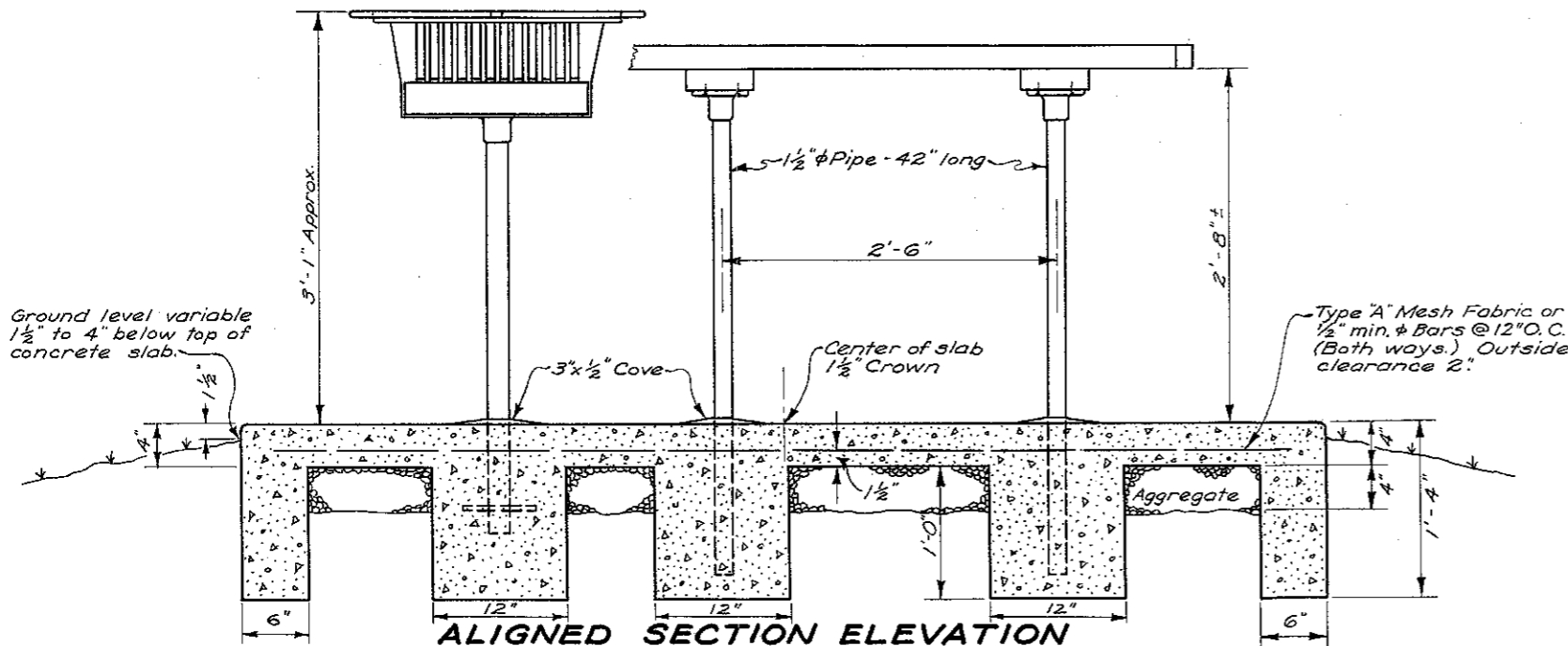
Aggregate subbase for concrete slab shall meet the requirements, Item 1-22 Subbase, Grading "C" or "D."

The pipe supports for the Serving Table shall meet the requirements of Sec. M-6.9 and shall be galvanized in accordance with Sec. M-7.4(d) of the Specifications.

The charcoal grill shall be model P as manufactured by Modern Products Co., Tiffin, Ohio, or an approved equal.

The charcoal grill shall be mounted on a 1 1/2" I.D. galvanized pipe. It shall be attached to the pipe by a theft proof locking device that allows the grill to swivel 360 degrees. The identifying words "OHIO ROADSIDE REST" shall be cast in the top of each grate using half inch capital letters.

The necessary excavation shall be performed in accordance with the requirements of Item E-2 of the Specifications.

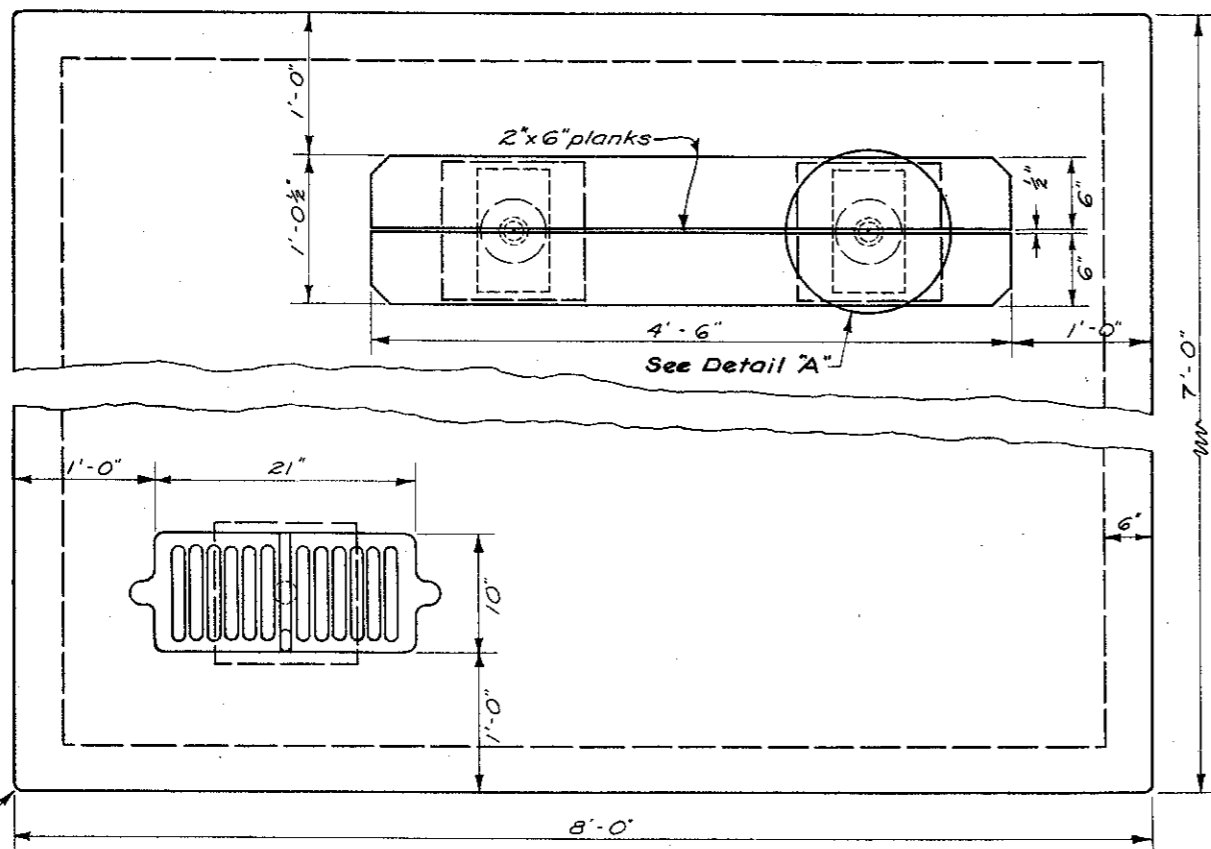


ALIGNED SECTION ELEVATION

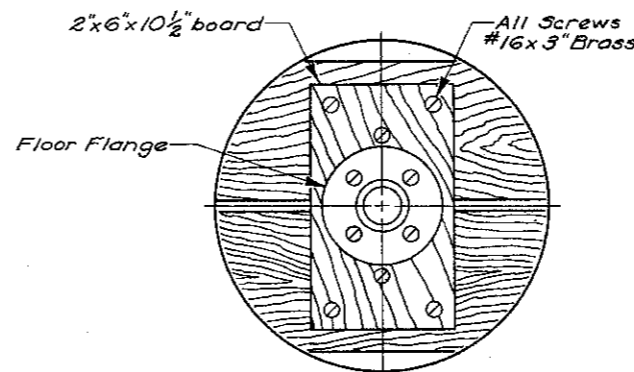
BUREAU OF LOCATION AND DESIGN OHIO DEPARTMENT OF HIGHWAYS	
ROADSIDE REST AREAS	
STANDARD CONSTRUCTION DRAWING	R. R. A. No. 5
APPROVED <i>[Signature]</i>	ENGR. L. & D.

DATE:
4-24-58

CHARCOAL GRILL AND SERVING TABLE



PLAN VIEW



DETAIL "A"
METHOD OF ATTACHING
PIPE TO TABLE TOP

BILL OF MATERIALS

- 1 Charcoal Grill
 - 2 1 1/2" I.D. x 3'-6" Galvanized Pipe
 - 2 2"x6"x4'-6" Planks for table top
 - 2 2"x6"x10 1/2" Boards for Serving Table
 - 2 1 1/2" Floor Flanges for 1 1/2" I.D. Pipe
 - 20 #16x3" Brass Screws
- Concrete for Structures, Class "C"
Type "A" Mesh Fabric, Std. Drawing B-T-71R
or 1/2" min. ϕ Bars.

NOTES

Item Special - CHARCOAL GRILL & SERVING TABLE.

METHOD OF MEASUREMENT:
The charcoal grill and serving table shall be considered as one unit. The number of units to be paid for shall be the number completed and accepted.

BASIS OF PAYMENT:
The work included in this item shall be paid for at the contract unit price bid for each "Item Special - Charcoal Grill and Serving Table" completed and accepted, which price and payment shall constitute full compensation for all excavation and backfill, and for furnishing, hauling and placing all materials, and for all labor, equipment, tools and incidentals necessary to complete this item.

All lumber shall be S&S, Std. KD, No. 1 common or better, Southern Yellow Pine or Douglas Fir, Item M-8 Specifications for lumber.

All lumber shall be treated in accordance with the requirements for "Pentachlorophenol Treatment," Sec. M-8.3.

All screws shall be brass.

Concrete slab shall be finished so that water will drain from top of slab.

Concrete shall be class "C" and constructed in accordance with the requirements of Item S-1 of the Specifications.

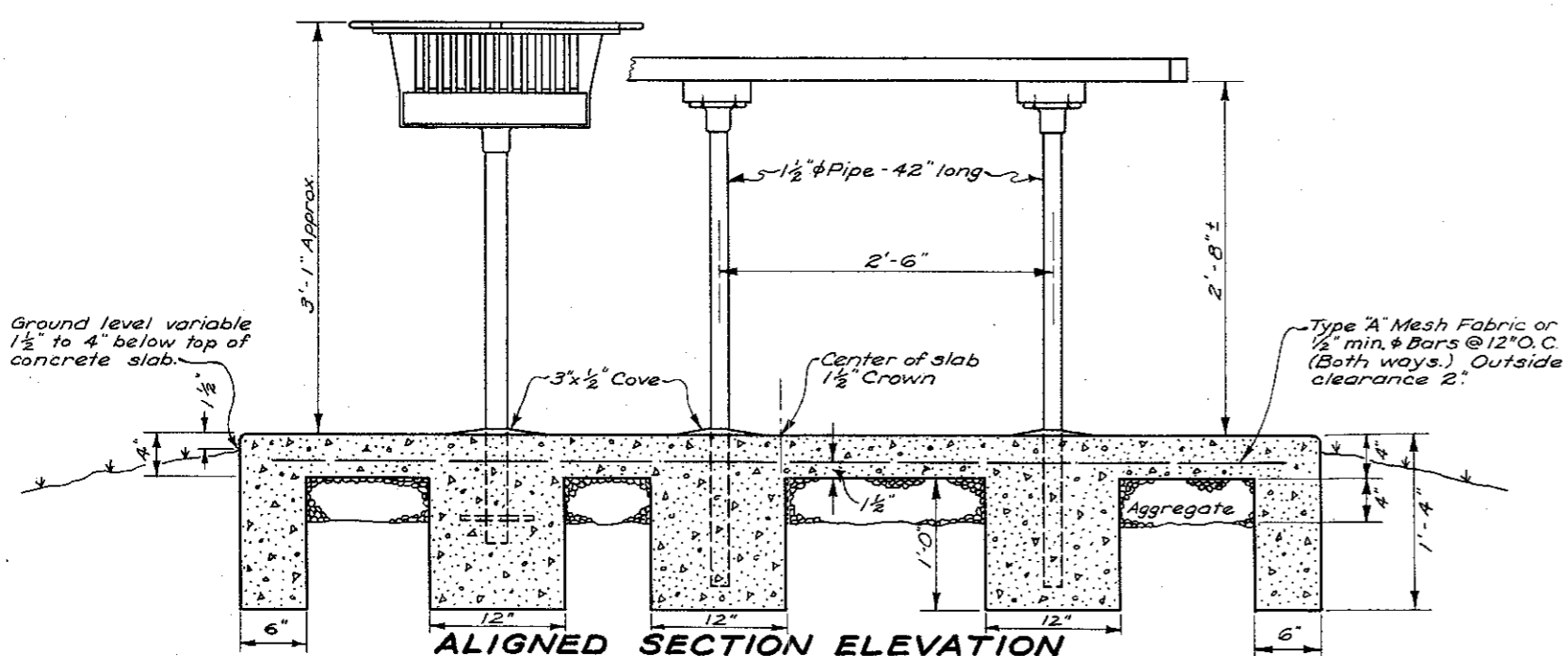
Aggregate subbase for concrete slab shall meet the requirements, Item I-22 Subbase, Grading "C" or "D."

The pipe supports for the Serving Table shall meet the requirements of Sec. M-6.9 and shall be galvanized in accordance with Sec. M-7.4(d) of the Specifications.

The charcoal grill shall be model P as manufactured by Modern Products Co., Tiffin, Ohio, or an approved equal manufactured by Game-time, Inc., Litchfield, Michigan, or by Mexico Forge, Mexico, Pennsylvania, or by any other manufacturer.

The charcoal grill shall be mounted on a 1 1/2" I.D. galvanized pipe. It shall be attached to the pipe by a theft proof locking device that allows the grill to swivel 360 degrees. The identifying words "OHIO ROADSIDE REST" shall be cast in the top of each grate using half inch capital letters.

The necessary excavation shall be performed in accordance with the requirements of Item E-2 of the Specifications.



ALIGNED SECTION ELEVATION

BUREAU OF LOCATION AND DESIGN OHIO DEPARTMENT OF HIGHWAYS	
ROADSIDE REST AREAS	
STANDARD CONSTRUCTION DRAWING	R. R. A. No. 5
APPROVED <i>[Signature]</i>	ENGR. L. & D.
DATE 4-24-58 11-3-58	