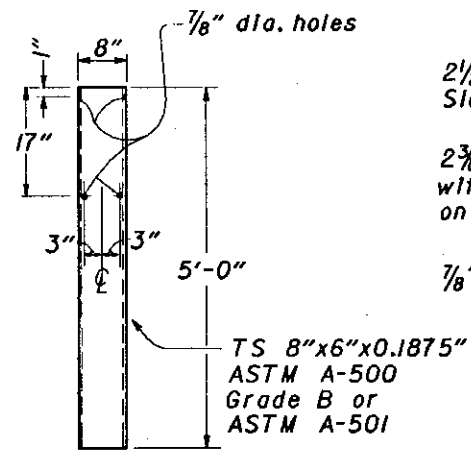
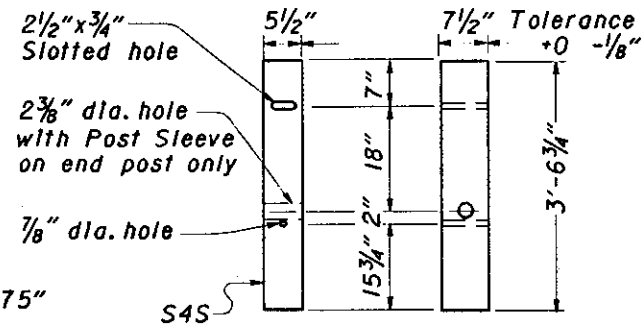


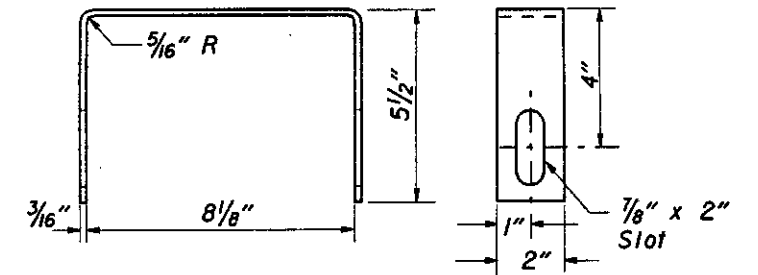
TYPE 1 BREAKAWAY POST



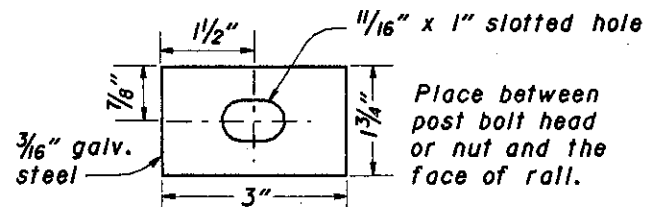
STEEL TUBE



TYPE 2 BREAKAWAY POST

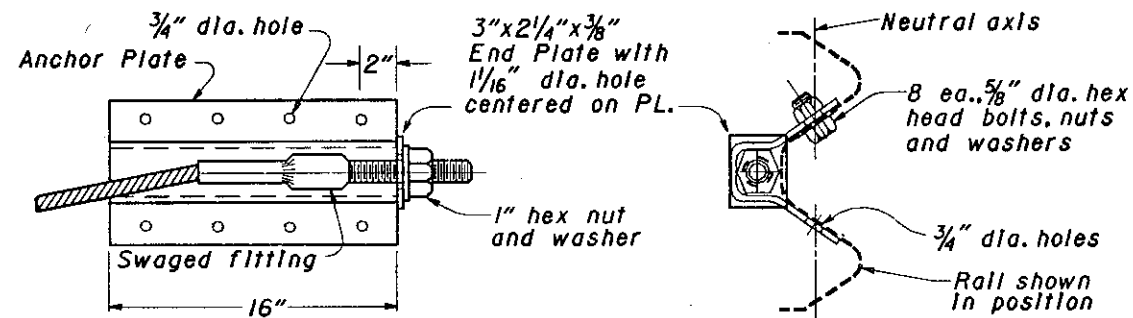


YOKE DETAILS

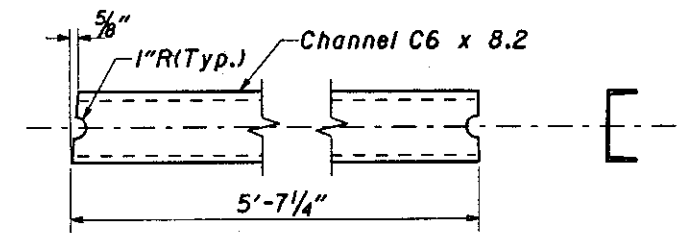


RECTANGULAR WASHER

(Not to be used in typical Type 4, 5 or 5A guardrail installations. Use only where specified.)

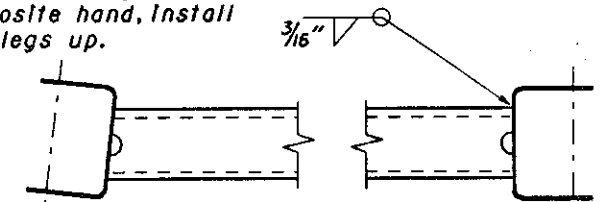


ANCHOR PLATE ASSEMBLY DETAILS

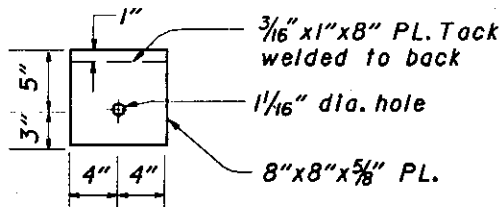


STRUT DETAILS

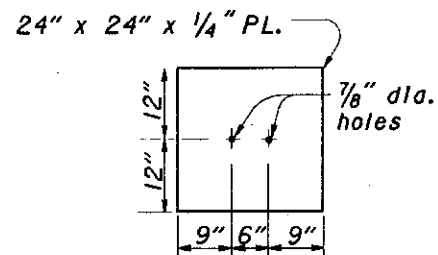
Shown, channel legs down. For opposite hand, install channel legs up.



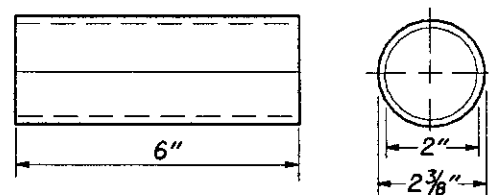
STRUT AND YOKE ASSEMBLY



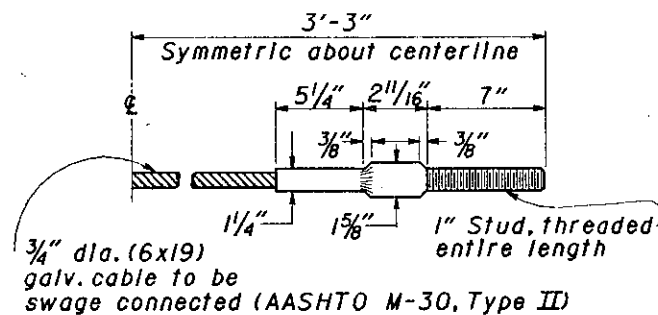
BEARING PLATE



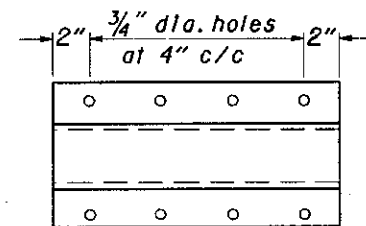
SOIL PLATE



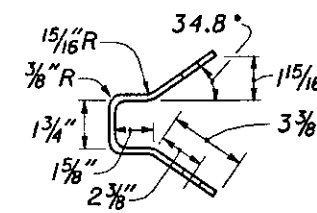
POST SLEEVE



STANDARD SWAGED FITTING AND STUD CABLE ASSEMBLY



ANCHOR PLATE



BUREAU OF LOCATION AND DESIGN
OHIO DEPARTMENT OF TRANSPORTATION

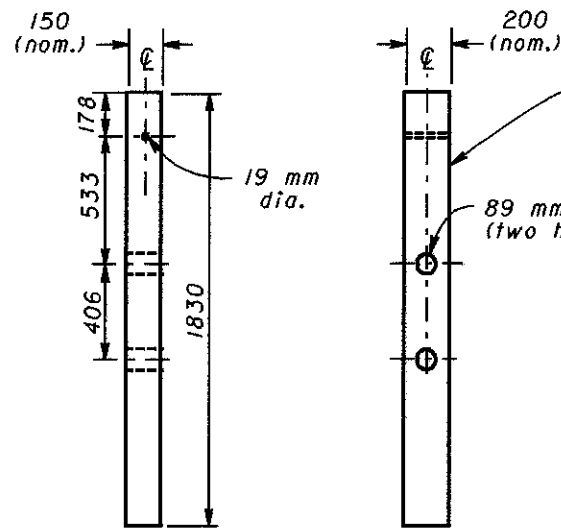
**GUARDRAIL
DETAILS**

DATE
2-21-92

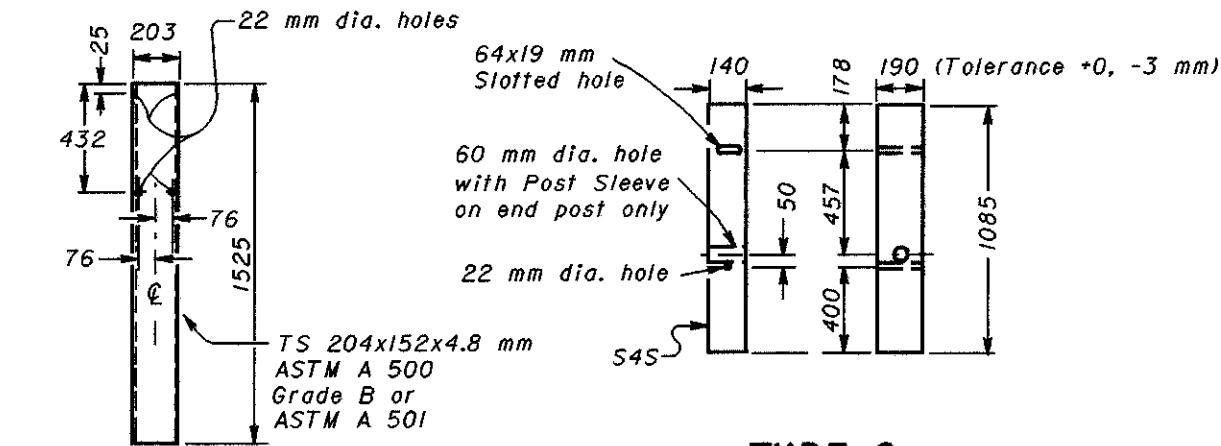
STANDARD
CONSTRUCTION
DRAWING

GR-1.3

APPROVED *B.K. Helman* ENGR., L & D

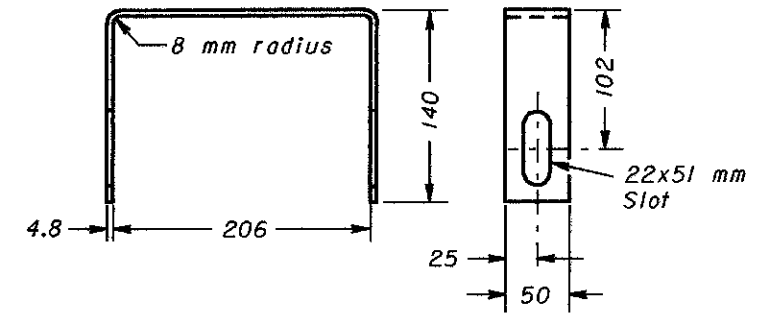


TYPE 1 BREAKAWAY POST

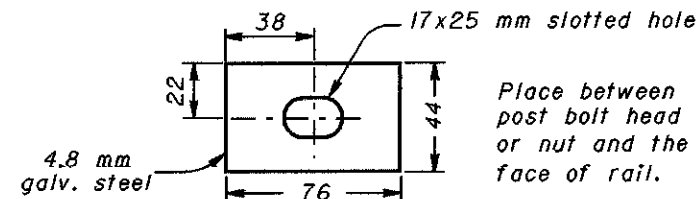


STEEL TUBE

TYPE 2 BREAKAWAY POST

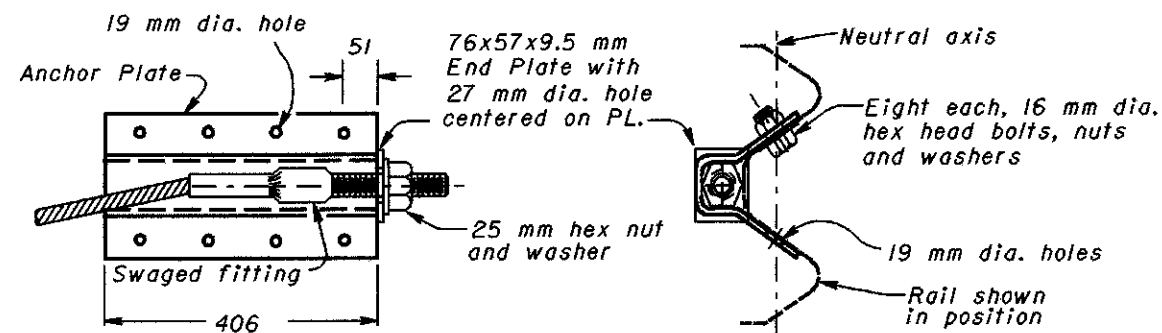


YOKE DETAILS

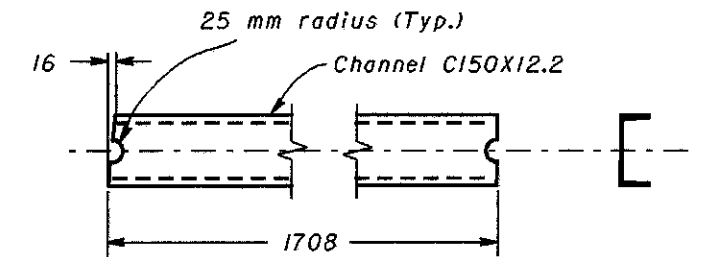


RECTANGULAR WASHER

(Not to be used in typical Type 4, 5 or 5A guardrail installations. Use only where specified.)

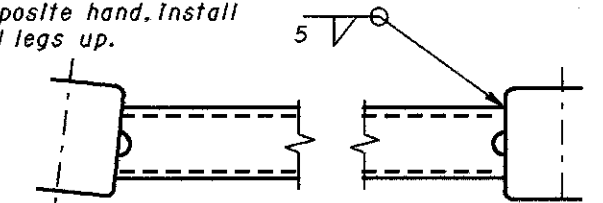


ANCHOR PLATE ASSEMBLY DETAILS



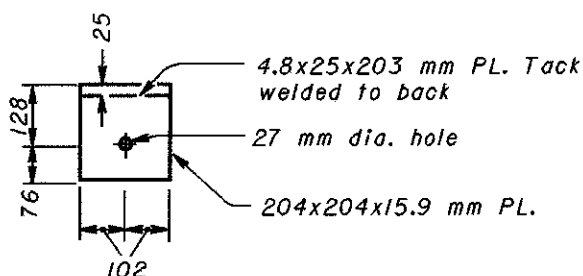
STRUT DETAILS

Shown, channel legs down. For opposite hand, install channel legs up.

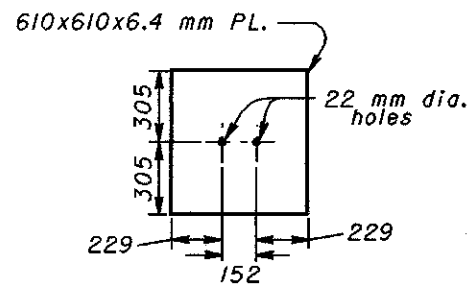


STRUT AND YOKE ASSEMBLY

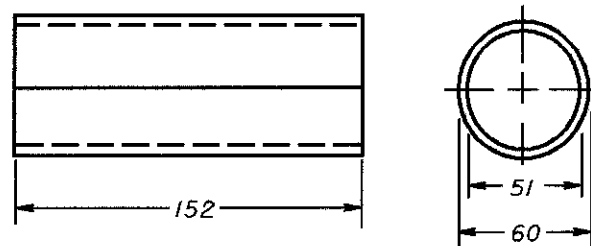
All dimensions are in millimeters unless otherwise noted.



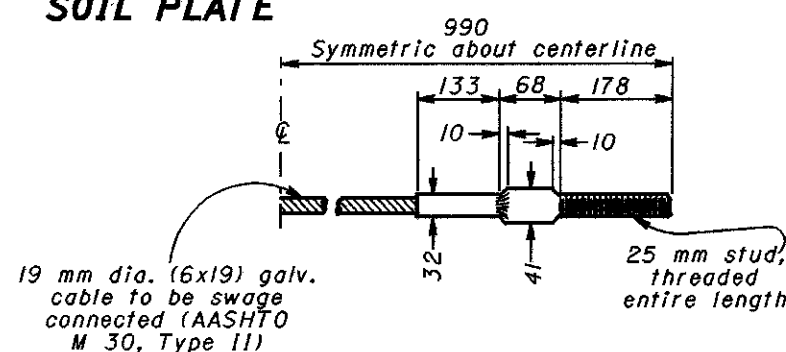
BEARING PLATE



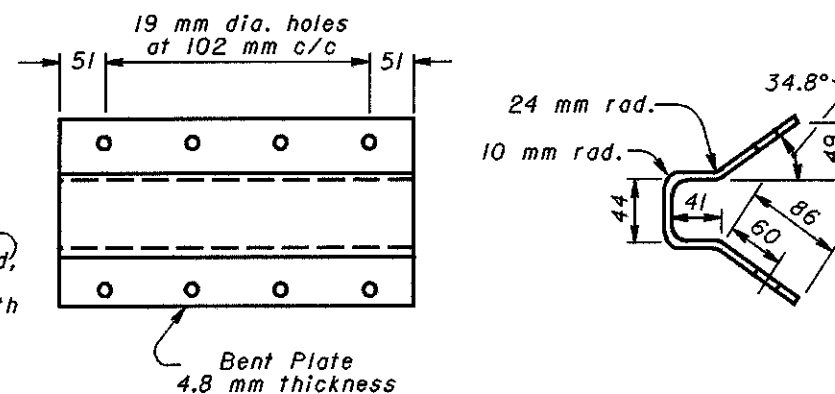
SOIL PLATE



POST SLEEVE



STANDARD SWAGED FITTING AND STUD CABLE ASSEMBLY



ANCHOR PLATE



BUREAU OF LOCATION AND DESIGN OHIO DEPARTMENT OF TRANSPORTATION		DATE 11-30-94
GUARDRAIL DETAILS		
STANDARD CONSTRUCTION DRAWING	GR-1.3M	
APPROVED <i>R.K. Hulman</i>	ENGR., L & D	