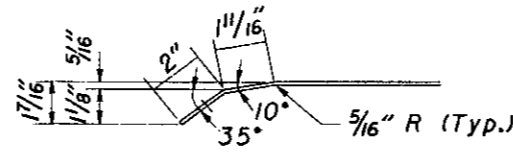
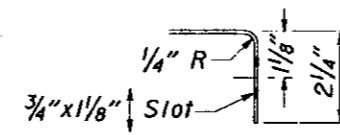


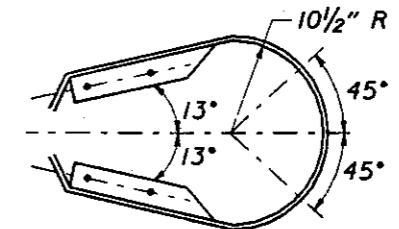
DIAPHRAGM PLATE DETAIL
(2 Required each Terminal)



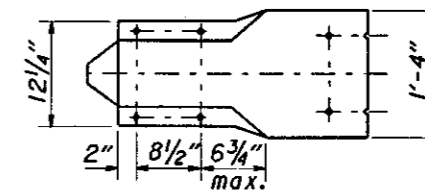
DIAPHRAGM PLATE DETAIL
VIEW A-A



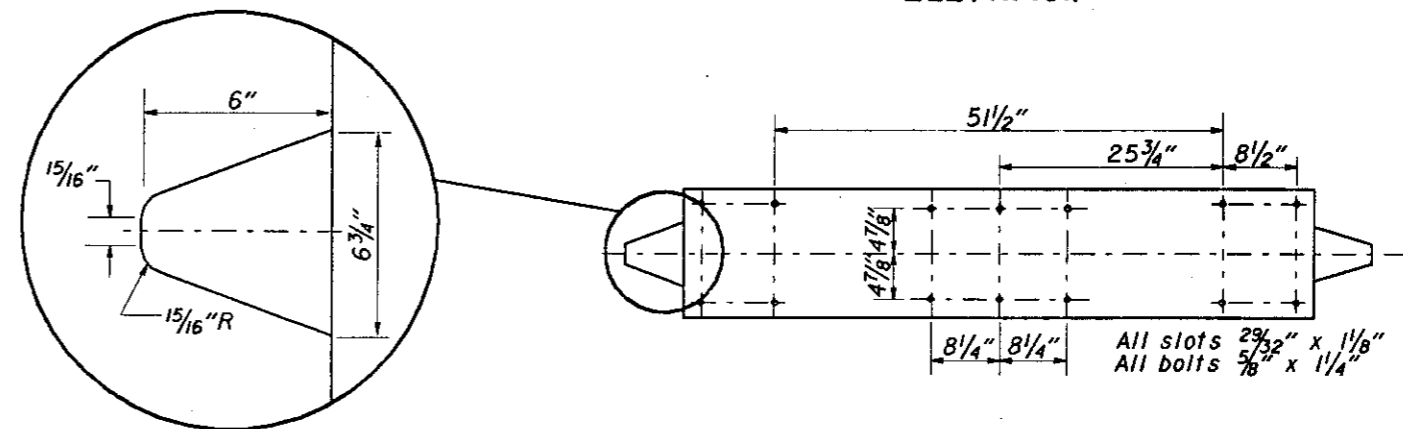
DIAPHRAGM PLATE DETAIL
VIEW B-B



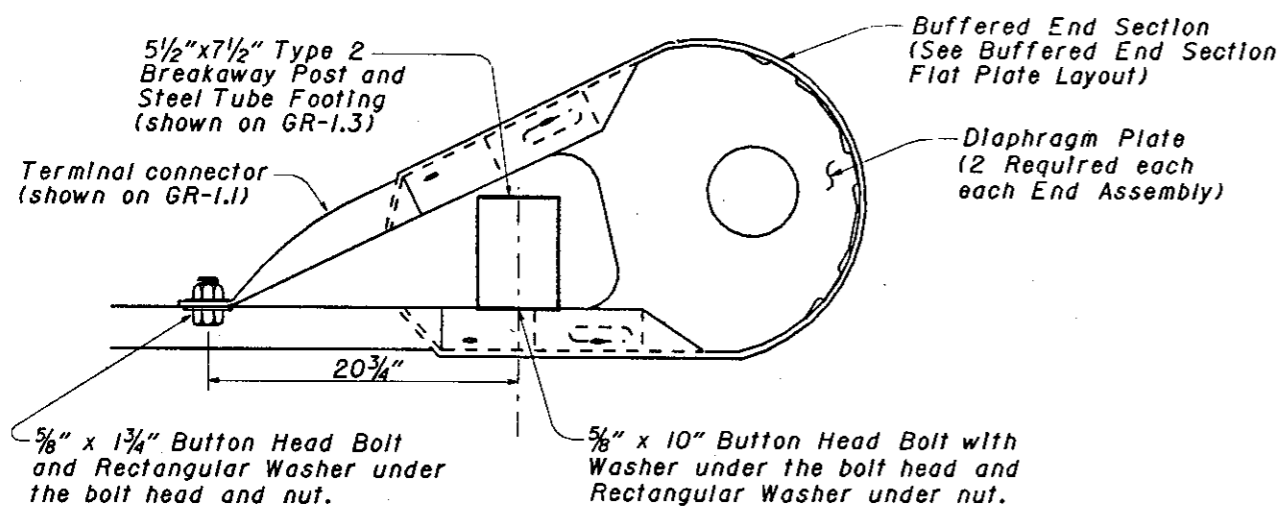
BUFFERED END SECTION
PLAN



BUFFERED END SECTION
ELEVATION



BUFFERED END SECTION
FLAT PLATE LAYOUT



BUFFERED END ASSEMBLY

NOTES

FOR COMPLETE Installation and assembly details, see Std. Const. Dwg. GR-4.3.

ALL STRUCTURAL STEEL shall be galvanized as per 711.02.

FOR ADDITIONAL DETAILS, see Standard Construction Drawings GR-1.1, 1.2 and 1.3.

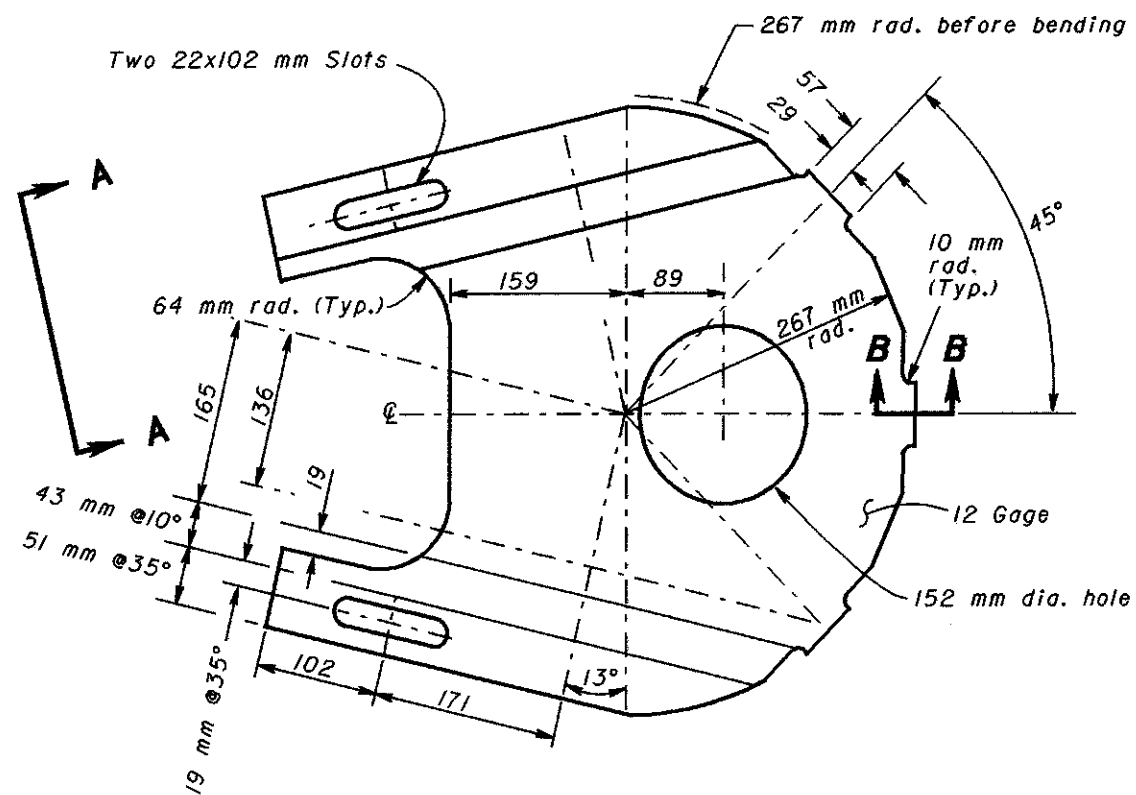
BUREAU OF LOCATION AND DESIGN
OHIO DEPARTMENT OF TRANSPORTATION

**TYPE B ANCHOR
ASSEMBLY
DETAILS**

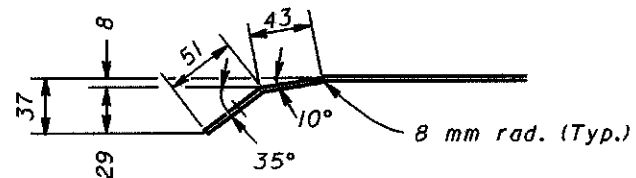
DATE
2-21-92

STANDARD
CONSTRUCTION
DRAWING **GR-4.4**

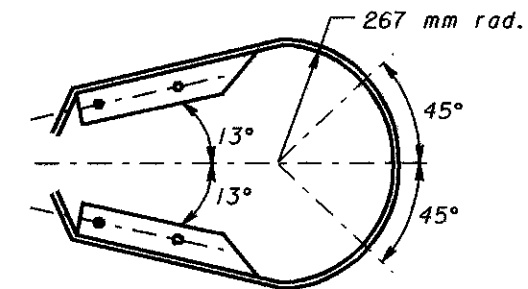
APPROVED *R.K. Hehman* ENGR., L & D



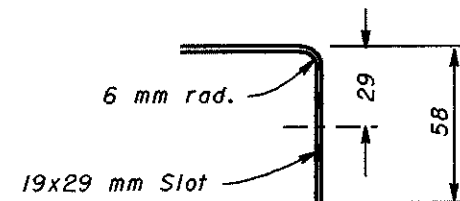
DIAPHRAGM PLATE DETAIL
(Two Required each Terminal)



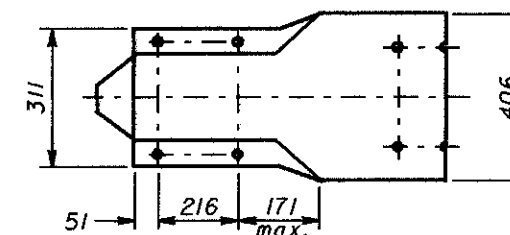
VIEW A-A
DIAPHRAGM PLATE DETAIL



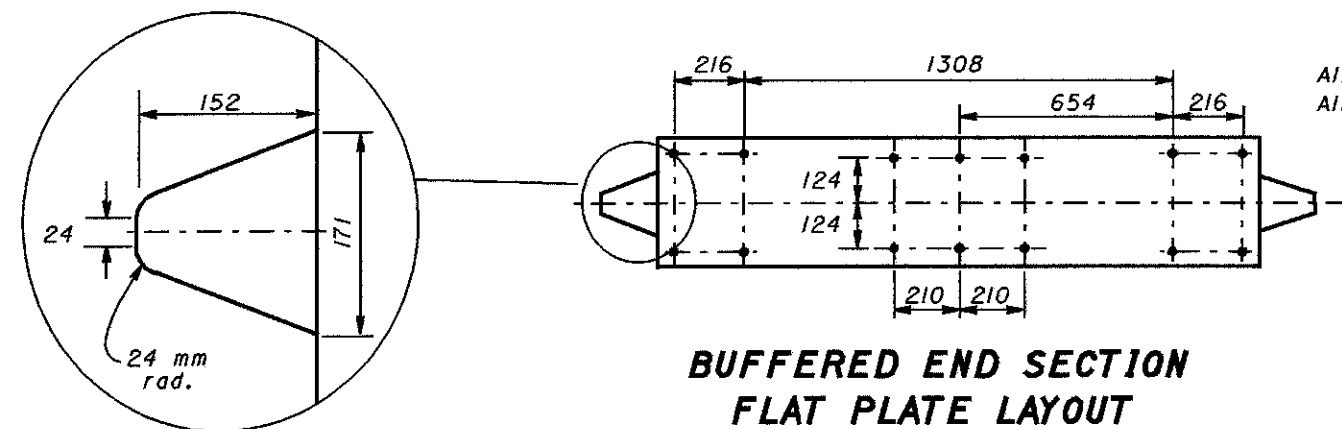
PLAN
BUFFERED END SECTION



VIEW B-B
DIAPHRAGM PLATE DETAIL



ELEVATION
BUFFERED END SECTION



BUFFERED END SECTION
FLAT PLATE LAYOUT

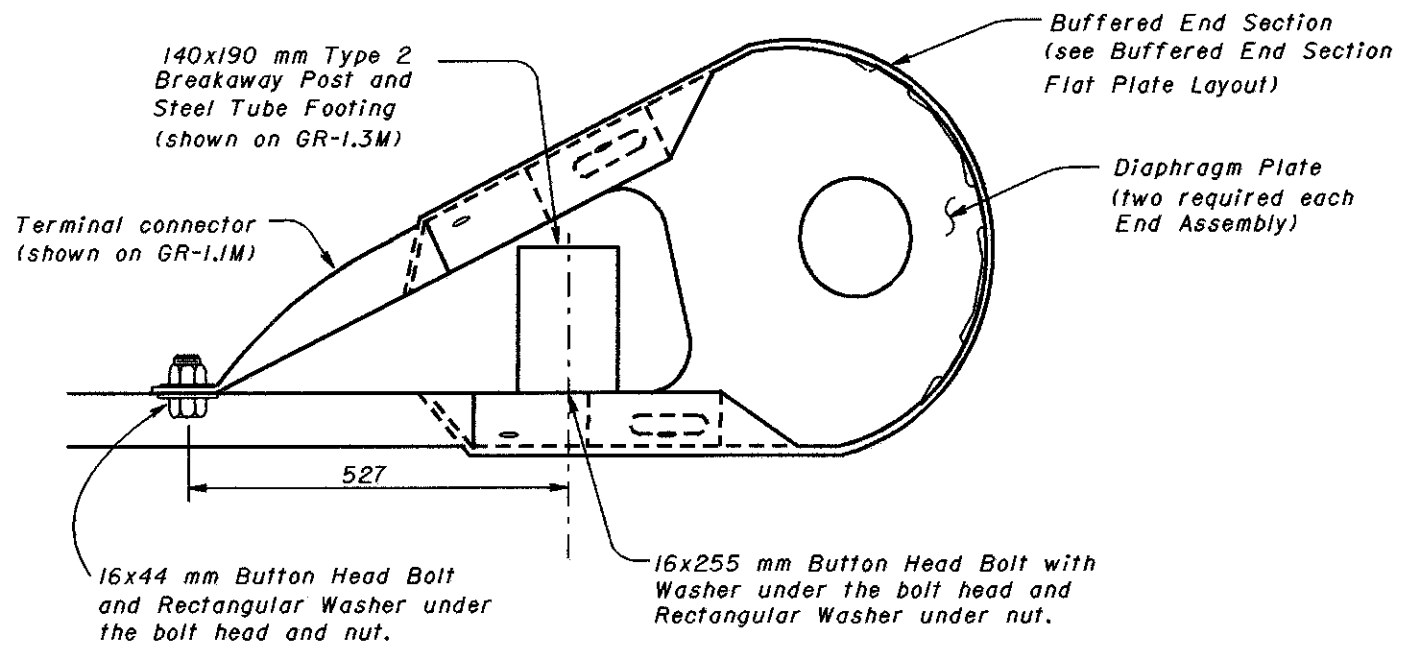
NOTES

All dimensions are in millimeters unless otherwise noted.

COMPLETE INSTALLATION AND ASSEMBLY DETAILS: See Std. Constr. Dwg. GR-4.3M.

STRUCTURAL STEEL: All structural steel shall be galvanized as per CMS 711.02.

FOR ADDITIONAL DETAILS: See GR-1.1M, GR-1.2M, and GR-1.3M.



BUFFERED END ASSEMBLY



BUREAU OF LOCATION AND DESIGN OHIO DEPARTMENT OF TRANSPORTATION	
TYPE B ANCHOR ASSEMBLY DETAILS	DATE 11-30-94
STANDARD CONSTRUCTION DRAWING APPROVED <i>T.K. Hulman</i> ENGR., L & D	GR-4.4M