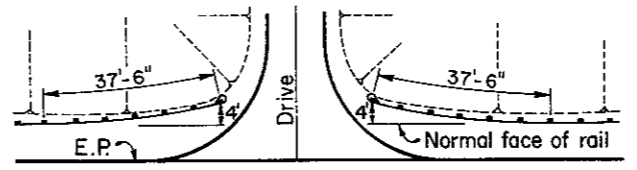


ALTERNATE ONE PIECE END SECTION
 Alternate to include same size & weight steel diaphragms as the standard end section.



DRIVE OPENING

PAYMENT: All materials and labor for the 12'-6" Type B Anchor Assembly shown including any extra cost for using a 25' long rail element and other costs involved in the flare, shall be included in the unit price bid for Item 606 Anchor Assembly, Type B.

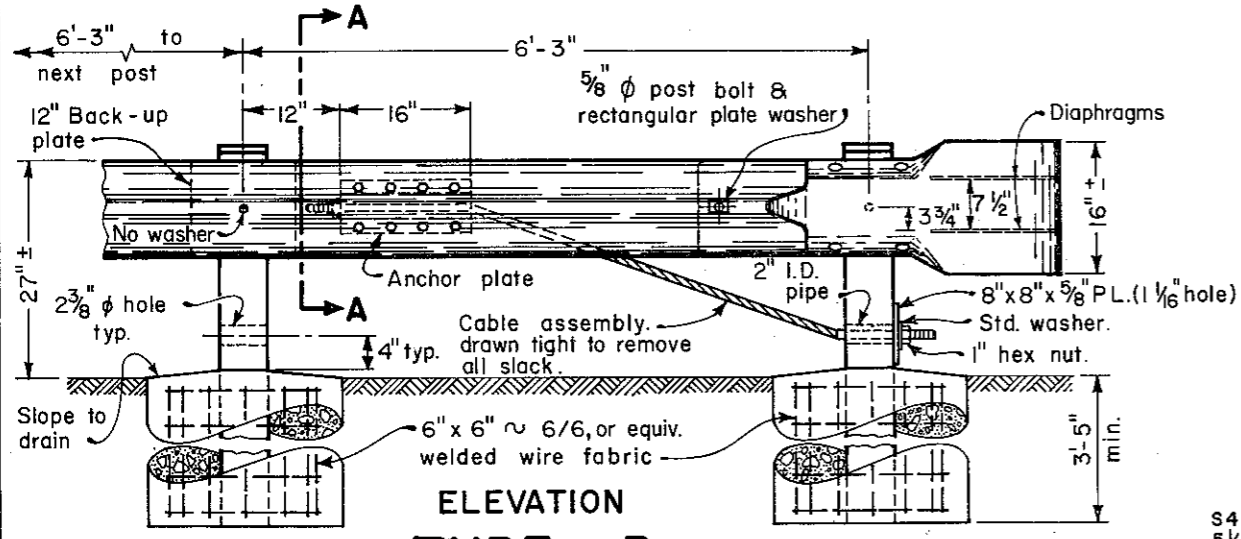
GENERAL: For details not shown, see GR-1 and other Standard Construction Drawings pertaining to design of specific guardrail types.

STRENGTH: The minimum breaking strength of the assembly shall be 40,000 pounds.

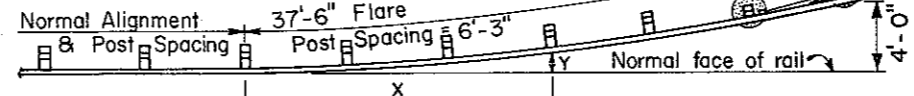
POSTS: The two posts with the 2 3/8" hole shall be encased in reinforced concrete and the embedded portion of the posts shall be wrapped with a double layer of felt paper.

FLARE OFFSET: The 4'-0" offset flare will not be used when the anchor is used with the flares shown on GR-5.

ALTERNATES: Any or all of the alternates shown may be furnished and installed at the contractor's option at no additional cost to the State.



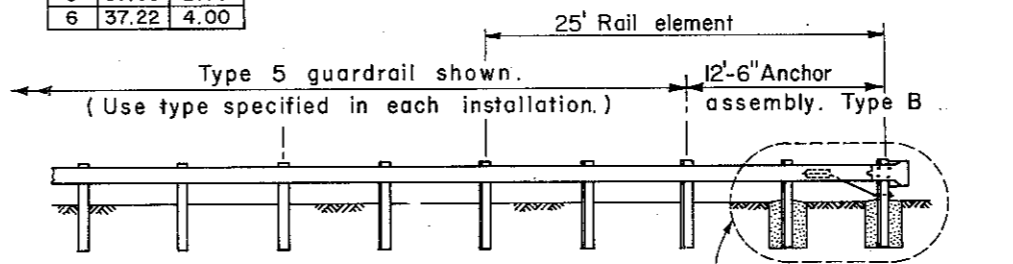
ELEVATION TYPE B



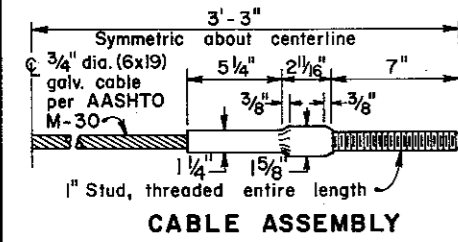
FLARE OFFSETS		
Post	X	Y
0	0.00	0.00
1	6.25	0.11
2	12.49	0.45
3	18.71	1.01
4	24.92	1.79
5	31.08	2.79
6	37.22	4.00

NOTE: Omit rectangular plate washers at posts #0 thru #6. If Type 4 or 7 guardrail is used, omit posts #1 and #3. Offsets are measured to face of rail at post bolt holes.

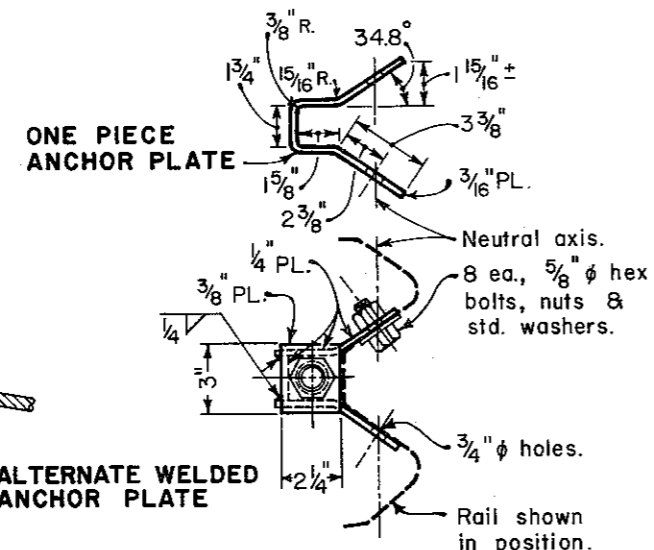
PLAN



ELEVATION



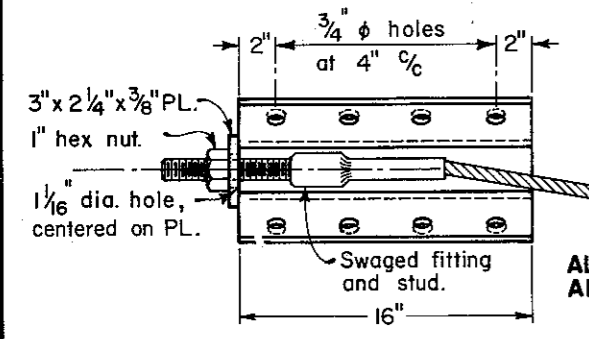
CABLE ASSEMBLY



ONE PIECE ANCHOR PLATE

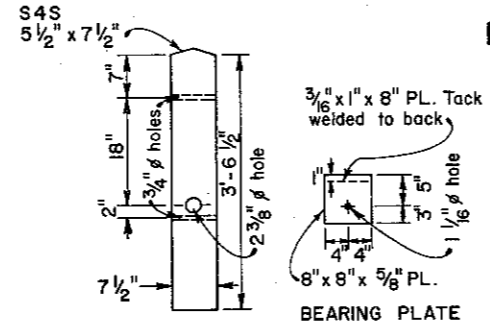
ALTERNATE WELDED ANCHOR PLATE

LEFT END A-A

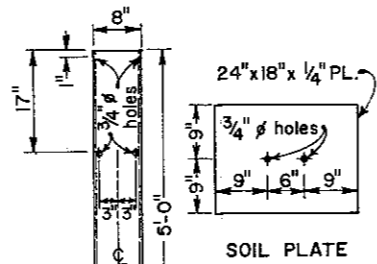


FRONT VIEW

ANCHOR PLATE DETAILS



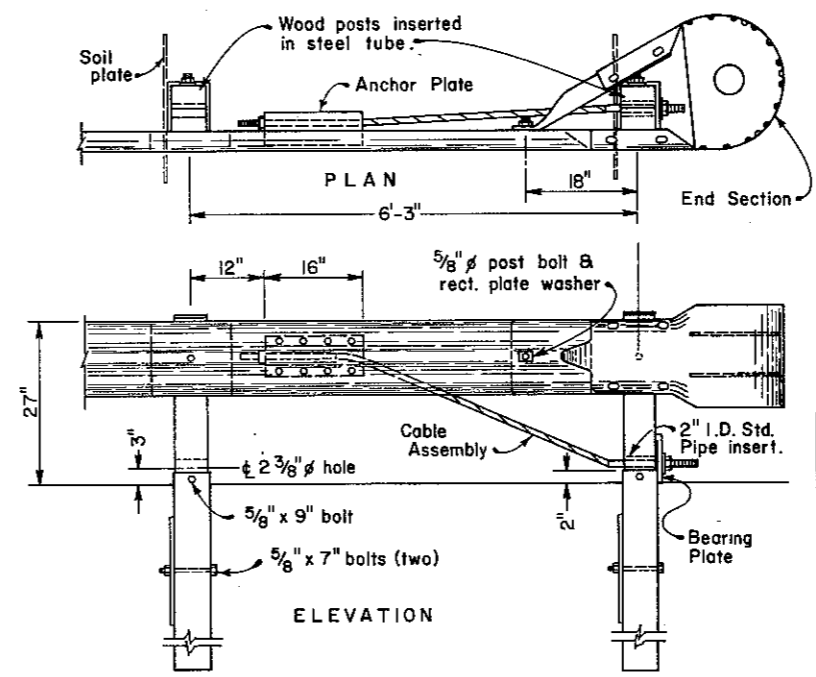
WOOD POST FOR STEEL TUBE



SOIL PLATE

TS 8x6x0.1875

STEEL TUBE



ALTERNATE STEEL TUBE FOUNDATION

**BUREAU OF LOCATION AND DESIGN
 OHIO DEPARTMENT OF TRANSPORTATION**

**TYPE B
 ANCHOR
 ASSEMBLY**

DATE 2-5-82

**STANDARD
 CONSTRUCTION
 DRAWING** GR-4B

APPROVED ENGR. L. & D.