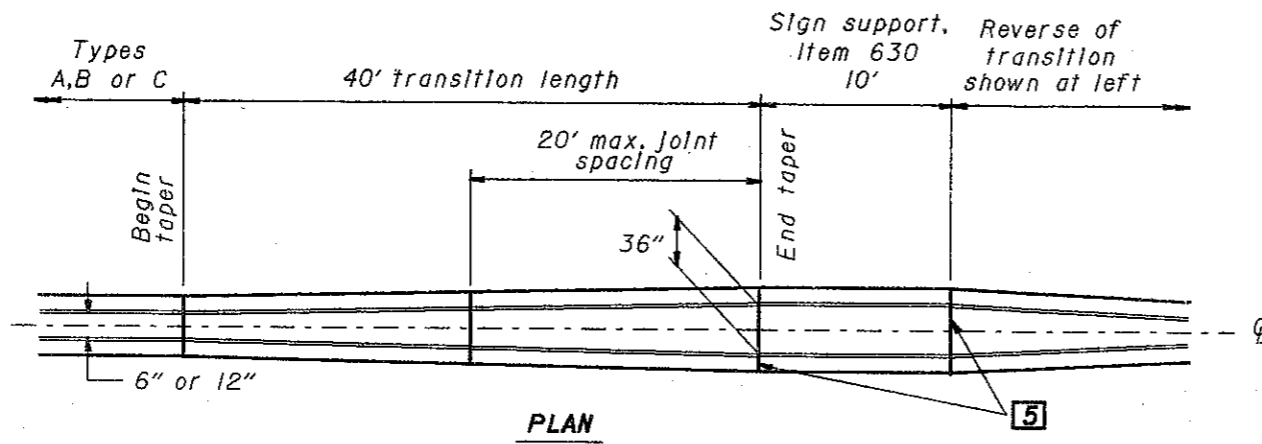


NOTE

STANDARD BARRIERS: Types A, B, or C concrete barriers shall be constructed as per Std. Const. Drwg. MC-9.3 or as detailed in the plans.

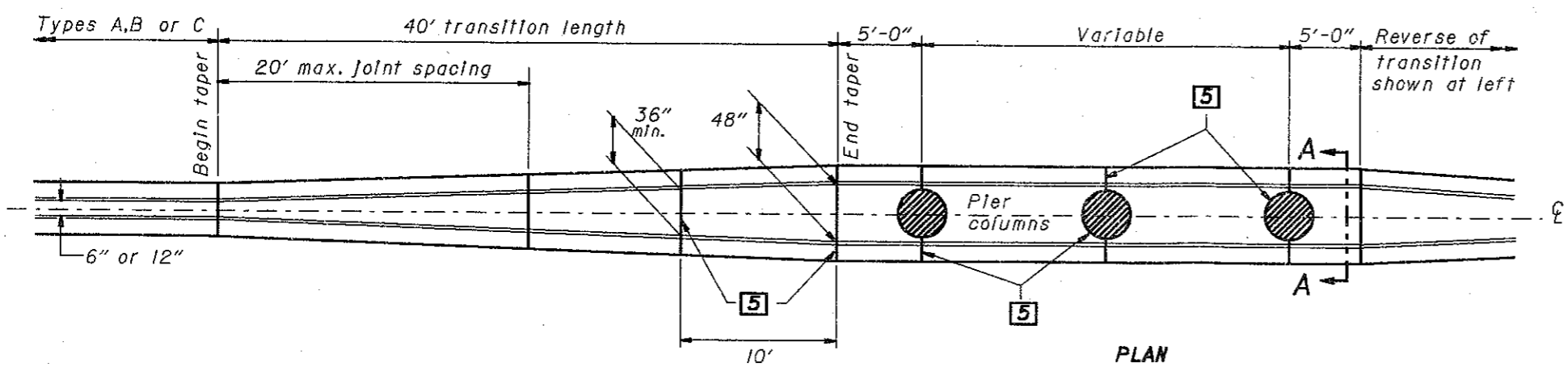
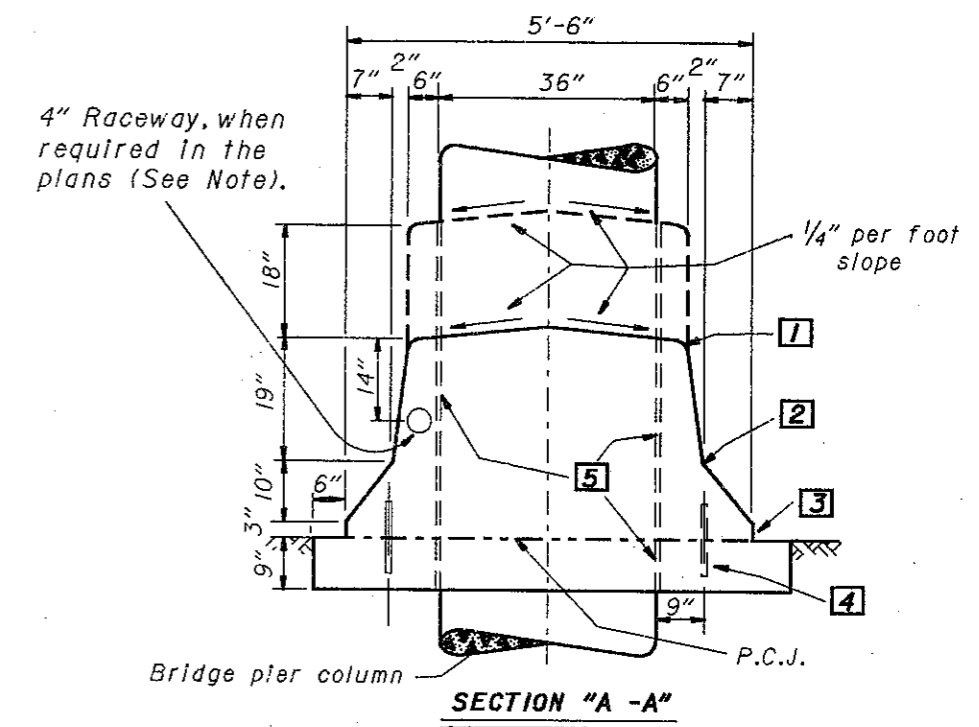
LEGEND

- 1 1" Radius or 3/4" chamfer.
- 2 Permissible 10" radius.
- 3 Permissible 1" radius.
- 4 No. 8 epoxy coated deformed steel bars, 12" long, spaced 2' between successive bars on a staggered (except Type D) pattern. Dowel bars shall begin 4' from the leading edge of the End Terminal. Omit dowels when top is constructed integral with the base.
- 5 Expansion joint, 3/4" min. Preformed Filler 705.03.



SIGN SUPPORT TRANSITION

(For 50" barriers, the upper 18" varies from 6" or 12" width to 36" width.)



BRIDGE PIER TRANSITION

(With Sign Support)

Sign support, Item 630 - If specified in the Plans.

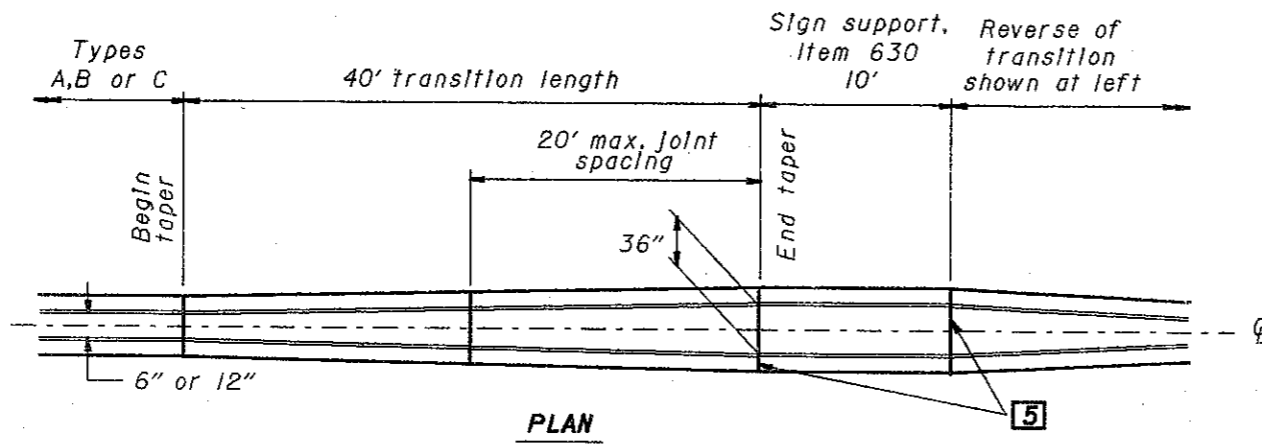
BUREAU OF LOCATION AND DESIGN OHIO DEPARTMENT OF TRANSPORTATION	
CONCRETE BARRIER TRANSITIONS	
STANDARD CONSTRUCTION DRAWING	MC-9.4
APPROVED <i>D.K. Hulman</i> ENGR., L & D	
DATE	10-30-92

NOTE

STANDARD BARRIERS: Types A, B, or C concrete barriers shall be constructed as per Std. Const. Drwg. MC-9.3 or as detailed in the plans.

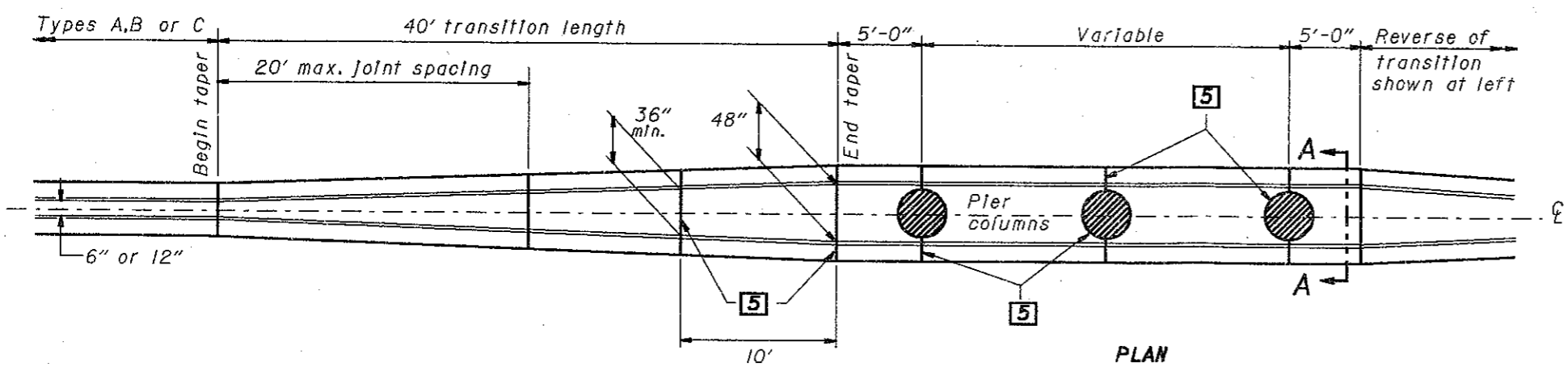
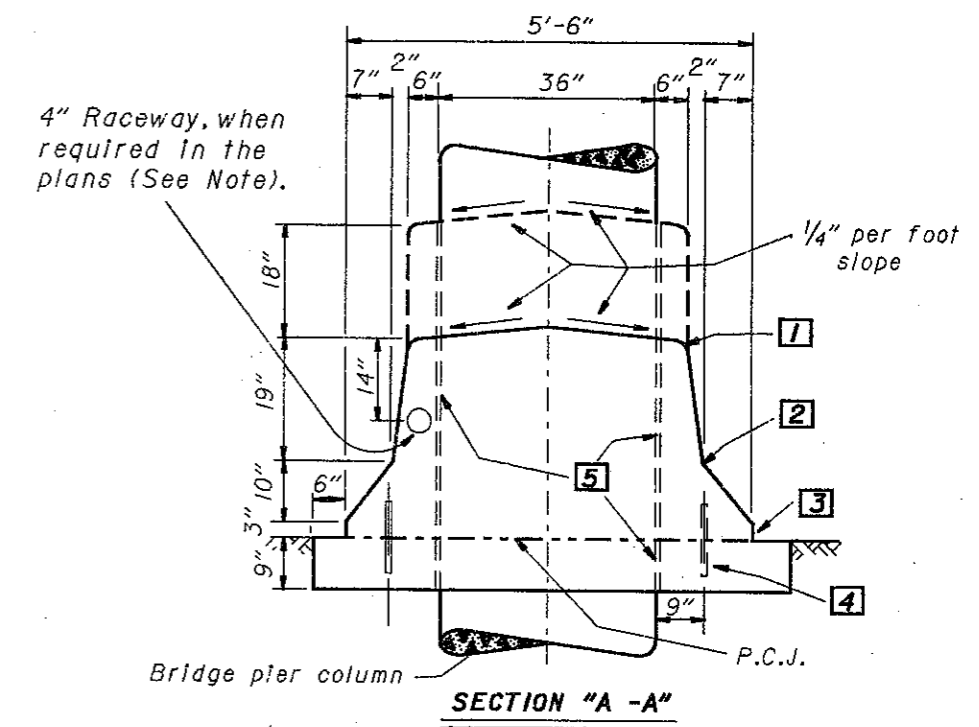
LEGEND

- 1 1" Radius or 3/4" chamfer.
- 2 Permissible 10" radius.
- 3 Permissible 1" radius.
- 4 No. 8 epoxy coated deformed steel bars, 12" long, spaced 2' between successive bars on a staggered (except Type D) pattern. Dowel bars shall begin 4' from the leading edge of the End Terminal. Omit dowels when top is constructed integral with the base.
- 5 Expansion joint, 3/4" min. Preformed Filler 705.03.



SIGN SUPPORT TRANSITION

(For 50" barriers, the upper 18" varies from 6" or 12" width to 36" width.)



BRIDGE PIER TRANSITION

(With Sign Support)

BUREAU OF LOCATION AND DESIGN OHIO DEPARTMENT OF TRANSPORTATION	
CONCRETE BARRIER TRANSITIONS	
STANDARD CONSTRUCTION DRAWING	MC-9.4
APPROVED <i>D.K. Hulman</i> ENGR., L & D	
DATE	10-30-92