

GENERAL NOTES

DESIGN SPECIFICATIONS: THIS STANDARD DRAWING CONFORMS TO "STANDARD SPECIFICATIONS FOR HIGHWAY BRIDGES" ADOPTED BY THE AMERICAN ASSOCIATION OF STATE HIGHWAY AND TRANSPORTATION OFFICIALS, 1992, INCLUDING THE 1993 INTERIM SPECIFICATIONS AND THE ODOT BRIDGE DESIGN MANUAL.

DESIGN LOADING: MS18 AND THE ALTERNATE MILITARY LOADING

DESIGN DATA: CONCRETE CLASS C - COMPRESSIVE STRENGTH 28 MPa (SUBSTRUCTURE)
 REINFORCING STEEL - ASTM A615M, A616M OR A617M, GRADE 400 WITH A MINIMUM YIELD STRENGTH OF 400 MPa AND SHALL BE EPOXY COATED.

POROUS BACKFILL: POROUS BACKFILL 600 mm THICK WITH FILTER FABRIC SHALL EXTEND UPWARD TO THE PLANE OF THE SUBGRADE, TO 300 mm BELOW THE EMBANKMENT SURFACE, AND Laterally TO THE SURFACE OF THE EMBANKMENT SLOPES. GEOTEXTILE FABRIC SHALL CONFORM WITH 712.09, TYPE A. THE BOTTOM OF THE POROUS BACKFILL SHALL BE SLOPED (1:12 MINIMUM) Laterally TO DRAIN. GEOTEXTILE FABRIC IS INCLUDED WITH POROUS BACKFILL FOR PAYMENT.

ANIMAL GUARD: ANIMAL GUARD SHALL BE PROVIDED AT THE OUTLET END OF THE DRAINAGE PIPE. SEE STANDARD CONSTRUCTION DRAWING MC-4.1M FOR DETAILS. PAYMENT FOR THE ANIMAL GUARD SHALL BE INCLUDED WITH THE DRAINAGE PIPE BID ITEM.

DESIGN INSTRUCTIONS

GENERAL: THIS DRAWING PROVIDES DESIGN AND GENERAL CONSTRUCTION DETAILS. THE PROJECT PLANS FOR EACH STRUCTURE SHALL SHOW STATIONS, SPAN LENGTHS, ROADWAY WIDTH, SKEW, CURVE AND SUPERELEVATION DATA (IF ANY), ELEVATIONS, SUPERSTRUCTURE DETAILS, ESTIMATED QUANTITIES, REINFORCING STEEL LIST, AREAS OF SEALING, TYPE OF SEALER AND OTHER NECESSARY DETAILS AND SPECIAL NOTES.

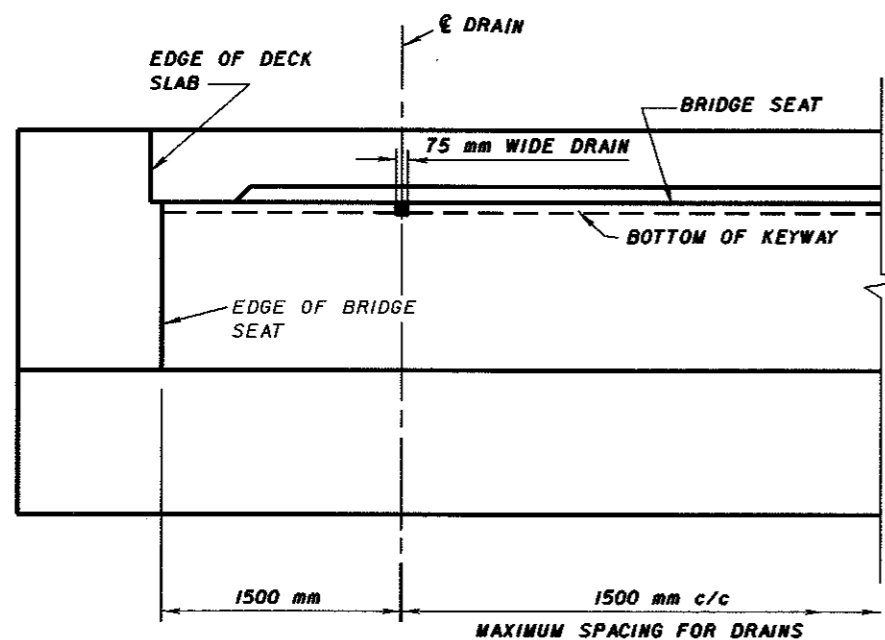
PILE TYPE, SIZE AND ESTIMATED PAY LENGTHS SHALL BE SHOWN ON THE PROJECT PLANS (USUALLY AS 310 mm OR 360 mm DIAMETER CAST-IN-PLACE REINFORCED CONCRETE, OR AS 250 mm OR 310 mm STEEL "H" PILES). SPACING SHALL NOT EXCEED 2500 mm. THE PILE DESIGN LOADS SHALL BE GIVEN IN THE STRUCTURE GENERAL NOTES.

REINFORCING STEEL: THE LONGITUDINAL 30M, 25M AND 15M BARS AT THE OPTION OF THE CONTRACTOR, MAY BE FURNISHED EITHER IN ONE LENGTH AS SHOWN HEREON, OR SPLICED. IF THE SPLICE OPTION IS CHOSEN, THE 30M BAR SHALL BE LAPPED 2800 mm, THE 25M BAR SHALL BE LAPPED 1800 mm AND THE 15M BAR SHALL BE LAPPED 900 mm. A STAGGERED LAP SPLICE ARRANGEMENT SHALL BE USED. QUANTITY TO INCLUDE BAR WEIGHTS FURNISHED TO PROVIDE LAP SPLICES.

BAR SIZE IS INDICATED IN THE BAR MARK. THE FIRST LETTER IDENTIFIES THE BAR LOCATION; NEXT TWO DIGITS AND LETTER INDICATES THE METRIC BAR SIZE DESIGNATION; AND THE REMAINING DIGITS IT'S SEQUENCE NUMBER.

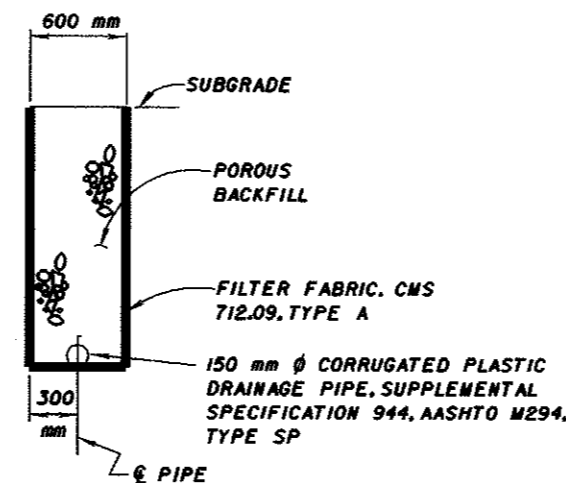
- EXAMPLE: A15M01
- a) A - LOCATION OF THE BAR IN THE STRUCTURE
 - b) 15M - METRIC BAR SIZE DESIGNATION
 - c) 01 - SEQUENCE NUMBER

LEGEND
 % - OUT TO OUT



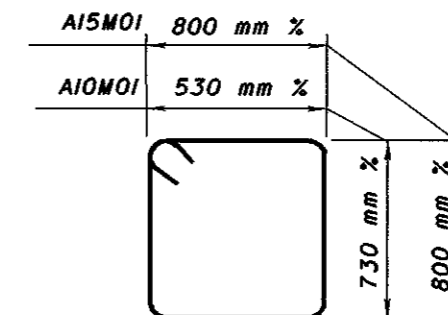
PART ELEVATION

SHOWING DRAIN DETAILS
 (SEE SECTION B-B, SHEET 1/2 FOR ADDITIONAL DETAILS)

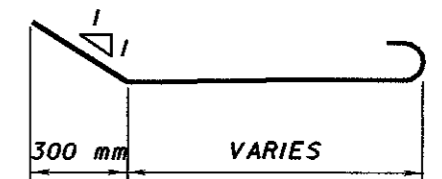


SECTION C-C

SEE SHEET 1/2 FOR LOCATION OF SECTION C-C



A15M01 LENGTH = 3375mm
 A10M01 LENGTH = 2645mm



D25M01

