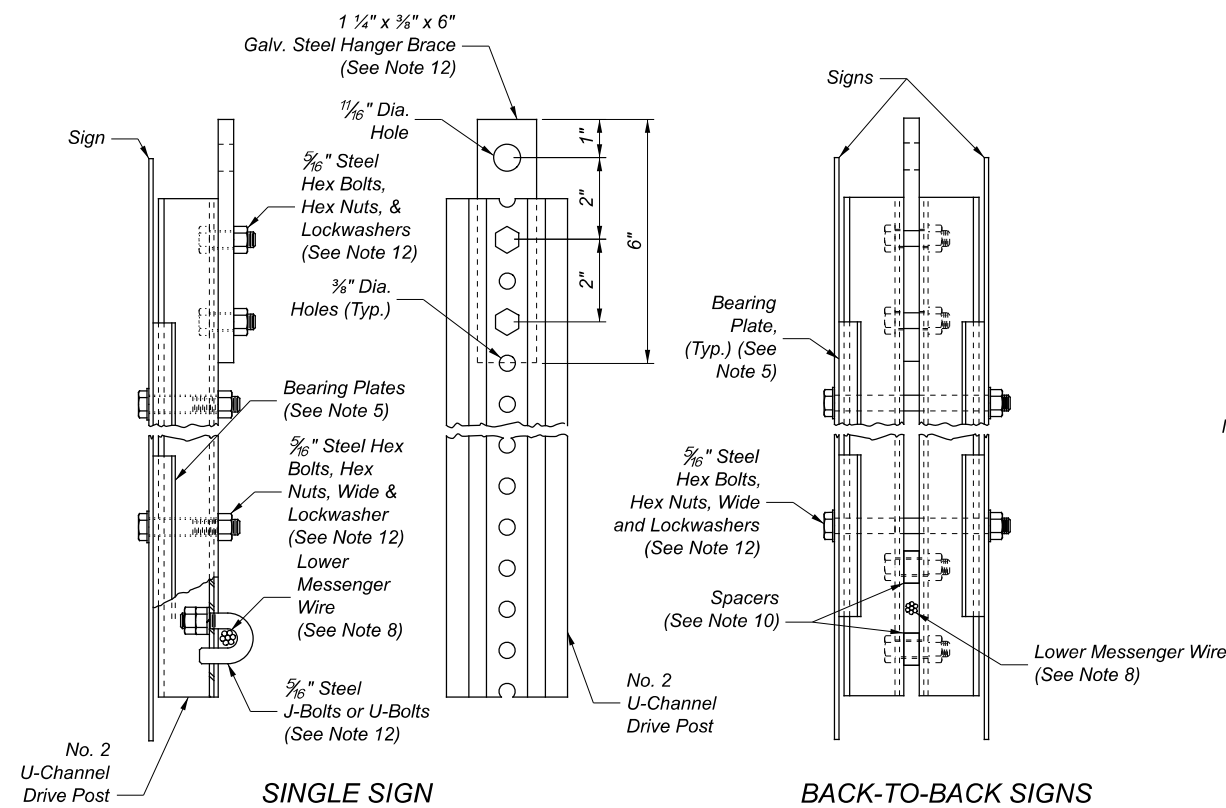


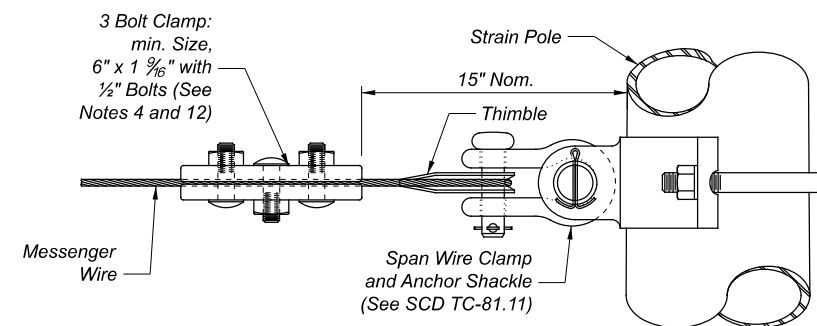
DESIGN NO. (SEE NOTE 2)	POLE HEIGHT (FEET)	MIN. POLE FACTORED FLEXURAL RESISTANCE AT BASE (FOOT KIPS)	MESSENGER WIRE MIN. DIA. (INCH)
8	30	206.0	3/8
10	32	270.0	7/16
12	32	385.0	1/2
13	32	590	1/2
14	32	900	1/2

NOTES:

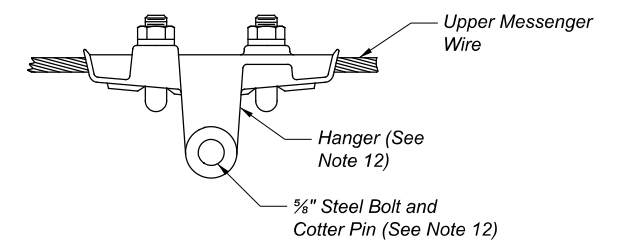
- The design of the Span Wire Overhead Sign Support on this drawing meets the requirements of the AASHTO LRFD Specifications for Structural Supports for Highway Signs, Luminaires, and Traffic Signals, First Edition 2015 (LRFDLTS-1) and all interim releases prior to the bid date of the project.
- For details and design requirements of poles and appurtenances, see Standard Construction Drawing (SCD) TC-81.11. Poles for span wire support design numbers are identical with poles of the same design number on SCD TC-81.11.
- For foundation details, see SCD TC-21.21.
- Preformed guy grips shall not be used to attach the messenger wire to the span wire clamps.
- Bearing plates shall conform to details on SCD TC-41.20.
- Assemble the upper messenger wire with signs installed, and adjust proper clearance to the bottom of the sign with a sag between 4% and 5%. Position the signs on brackets such that after erection is completed the signs are approximately centered vertically on the wires.
- Assemble and adjust the lower messenger wire with a sag approximately 3" greater than the upper wire. Adjust the sag prior to any fastening of sign hangers to the lower wire.
- Clamp sign hangers snugly to the lower wire. J or U-bolts shall have nylon or deformed thread lock nuts. On back-to-back signs, spacers shall be \square " less than the messenger wire diameter.
- Install strain poles with an initial outward rake of 3" to 5".
- Use aluminum or galvanized steel spacers for sign hanger assemblies.
- For location of handholes, see SCD TC-22.10.
- See SCD TC-81.11 for material requirements.



SIGN HANGER ASSEMBLY, SPAN WIRE, TYPE 1



MESSENGER WIRE ASSEMBLY



HANGER ELEVATION