

REVISIONS	
04-17-2020	
07-15-2016	
01-15-2016	
10-18-2013	
01-18-2013	

SDTS ENGINEER
Soisson

STATE OF OHIO DEPARTMENT OF TRANSPORTATION ADMINISTRATOR
David L. Holstein

CONCRETE BARRIER MEDIAN OVERHEAD SIGN SUPPORT FOUNDATIONS (SINGLE SLOPE)

DESIGN AGENCY

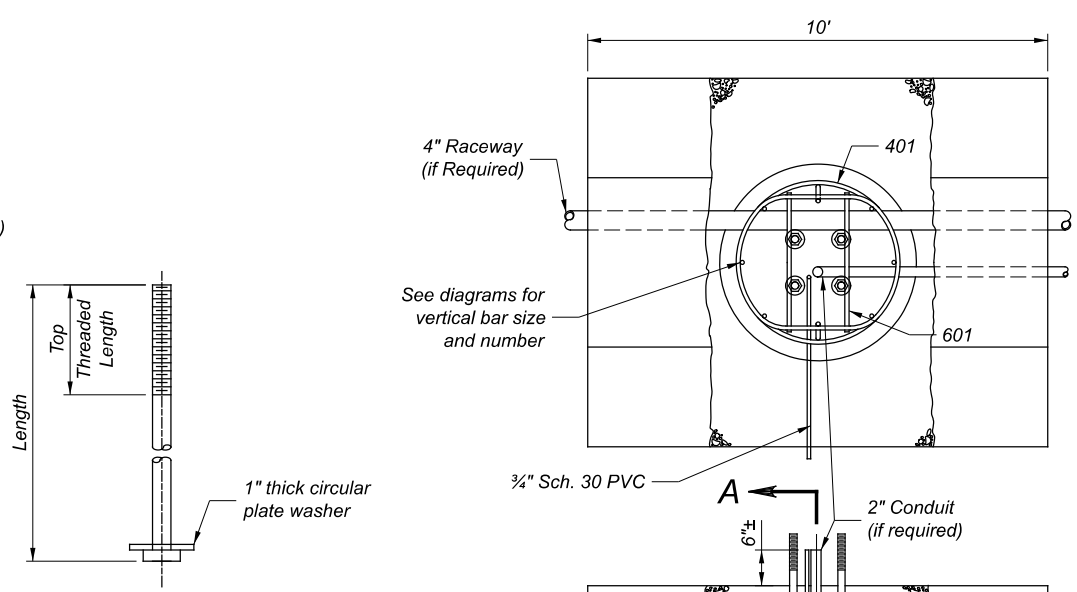
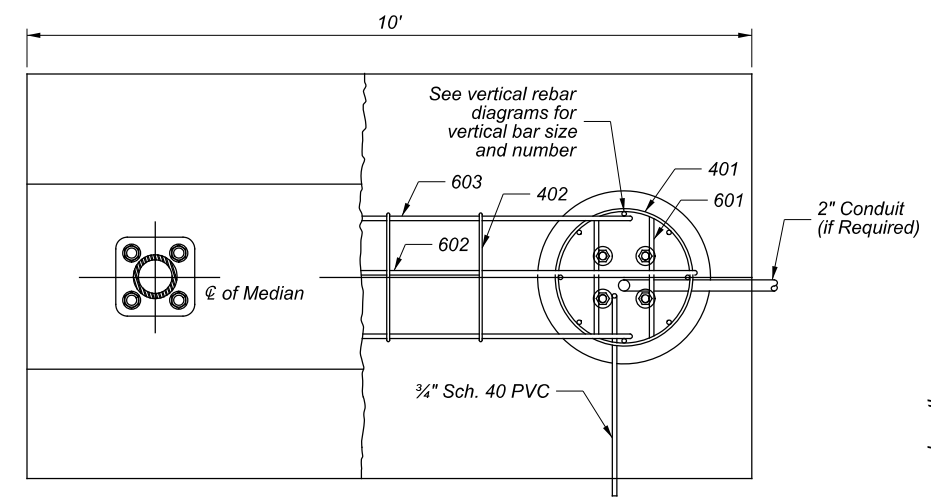


SCD NUMBER
TC-21.50

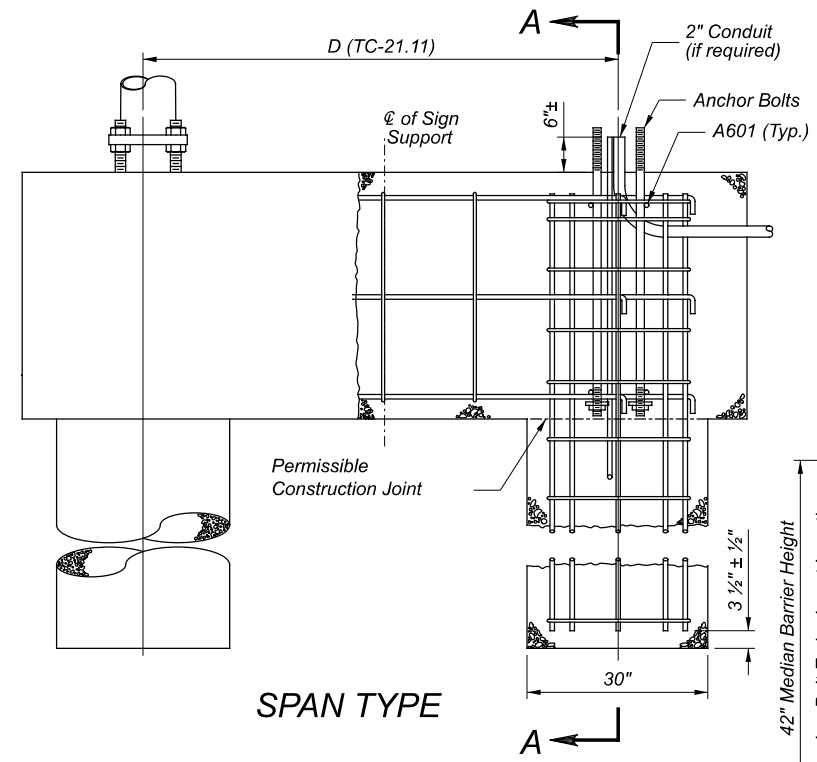
SHEET TOTAL
1 1

NOTES:

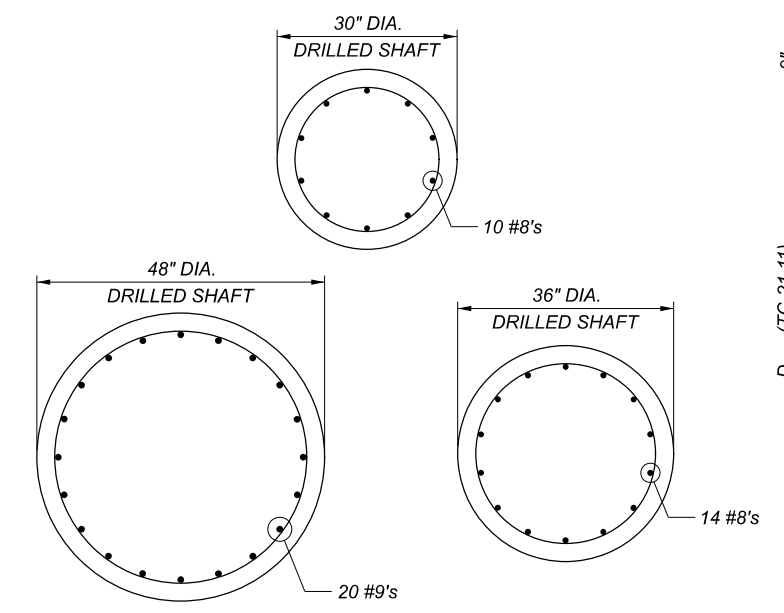
1. If a 57" wall is required the reinforcing steel in the drilled shaft connecting wall shall remain in the same position, relative to the top of the wall, as in the 42" wall.
2. Refer to Standard Construction Drawings (SCDs) TC-21.11 and TC-21.21 for reinforcement schedules and details.
3. For information regarding the transition sections of the barrier wall, see SCD RM-4.4.
4. For single slope concrete barrier shapes, see SCD RM-4.3.
5. All reinforcing steel shall be epoxy coated, comply with and be placed in accordance with C&MS 509.
6. Provide all anchor bolts with standard steel hex nuts, leveling nuts, and plain washers. The nuts shall be capable of developing the full strength of the anchor bolts. Anchor bolts shall be Grade 105. Threads shall be UNC-2A, and may be either rolled or cut, and coarse threaded. The embedded end of the anchor bolt shall be headed or threaded with a heavy hex nut. Provide smooth steel rod anchor bolt material threaded at the ends or over its entire length. Hex nuts shall be ASTM A563, American Standard heavy hex, Grade DH, with UNC-2B threads. Plate washers shall be A709 Grade 36 or Grade 50. Anchor bolts shall be hot-dip galvanized over their entire length, as per C&MS 711.02, after fabrication and threading. All nuts and plate washers shall be galvanized per C&MS 711.02.
7. See SCD's TC-21.11 and TC-21.21 for anchor bolt projection length, "P".



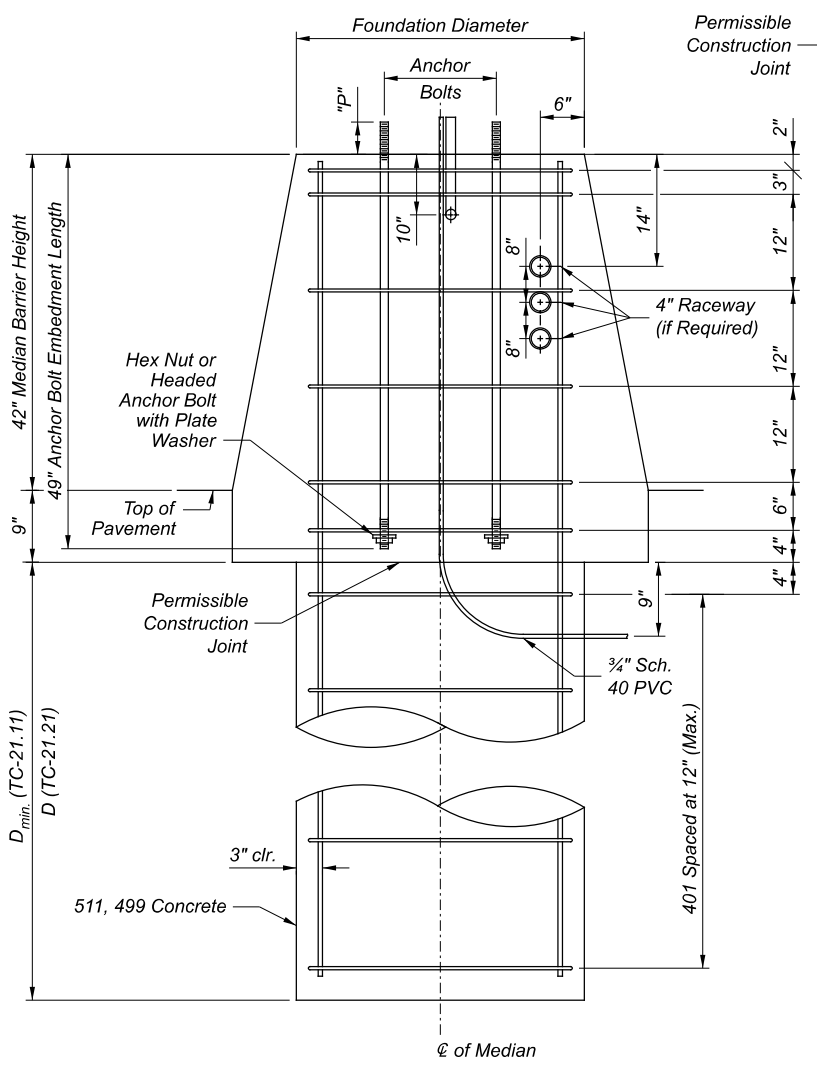
HEADED ANCHOR BOLT OPTION



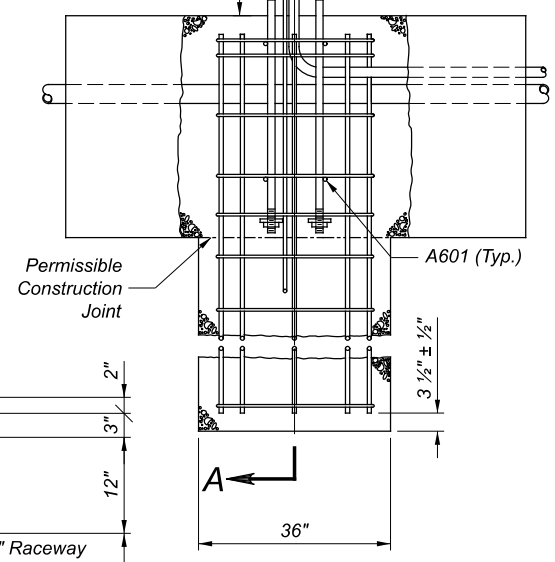
SPAN TYPE



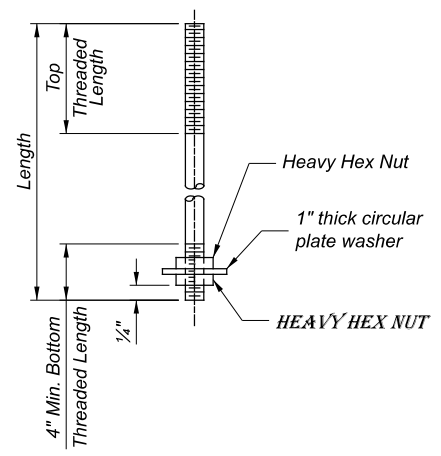
VERTICAL REBAR



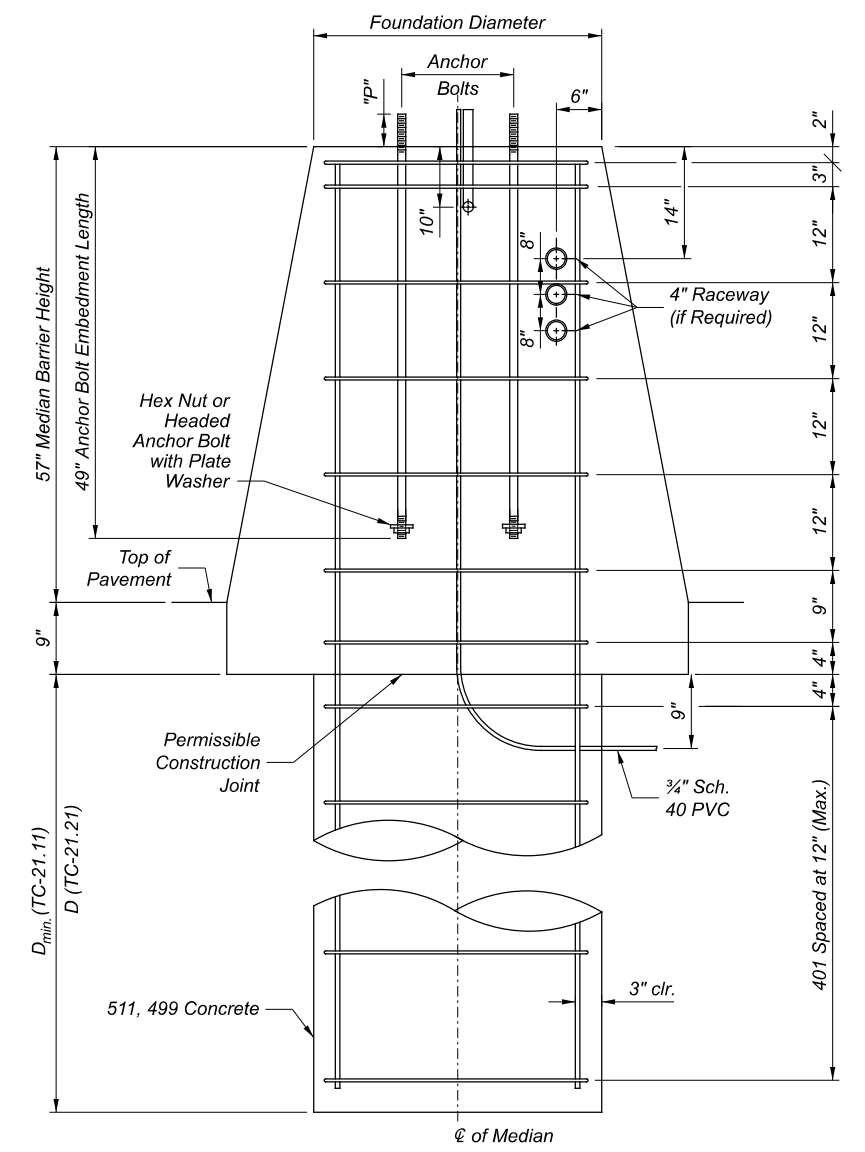
SECTION A, 42" BARRIER
Note: 402, 601, 602, and 603 bars not shown



CANTILEVER, BUTTERFLY OR CENTER MOUNT TYPE



NUTTED ANCHOR BOLT OPTION



SECTION A, 57" BARRIER
Note: 402, 601, 602, and 603 bars not shown