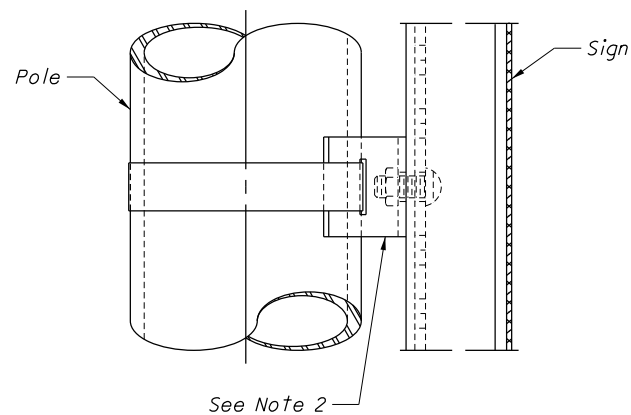
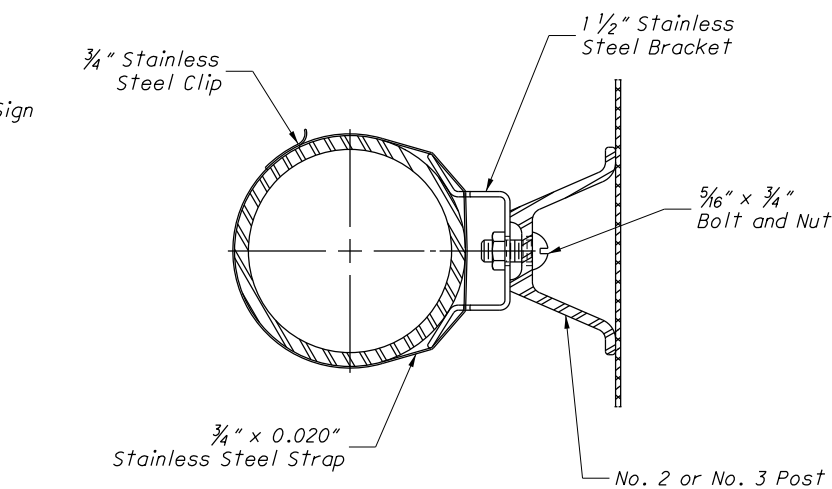


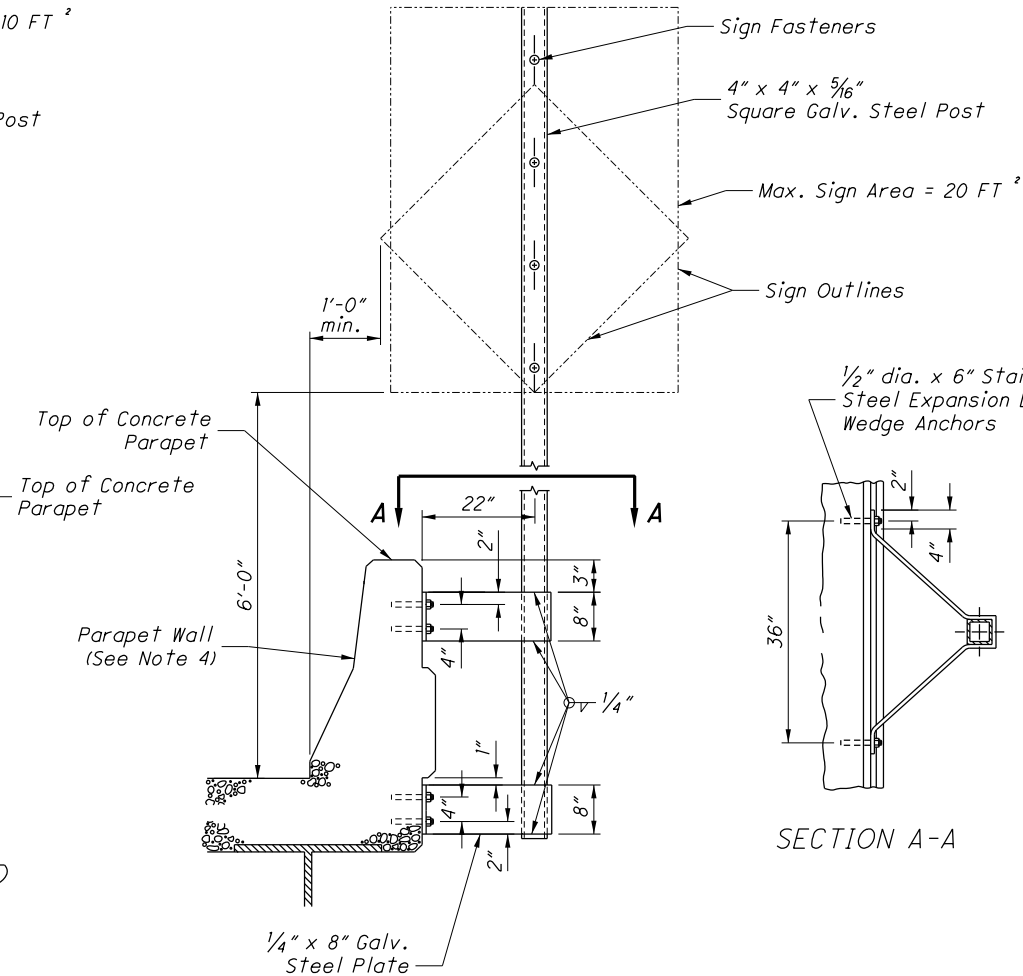
SIGN SUPPORT ASSEMBLY,
BRIDGE MOUNTED, TYPE 1



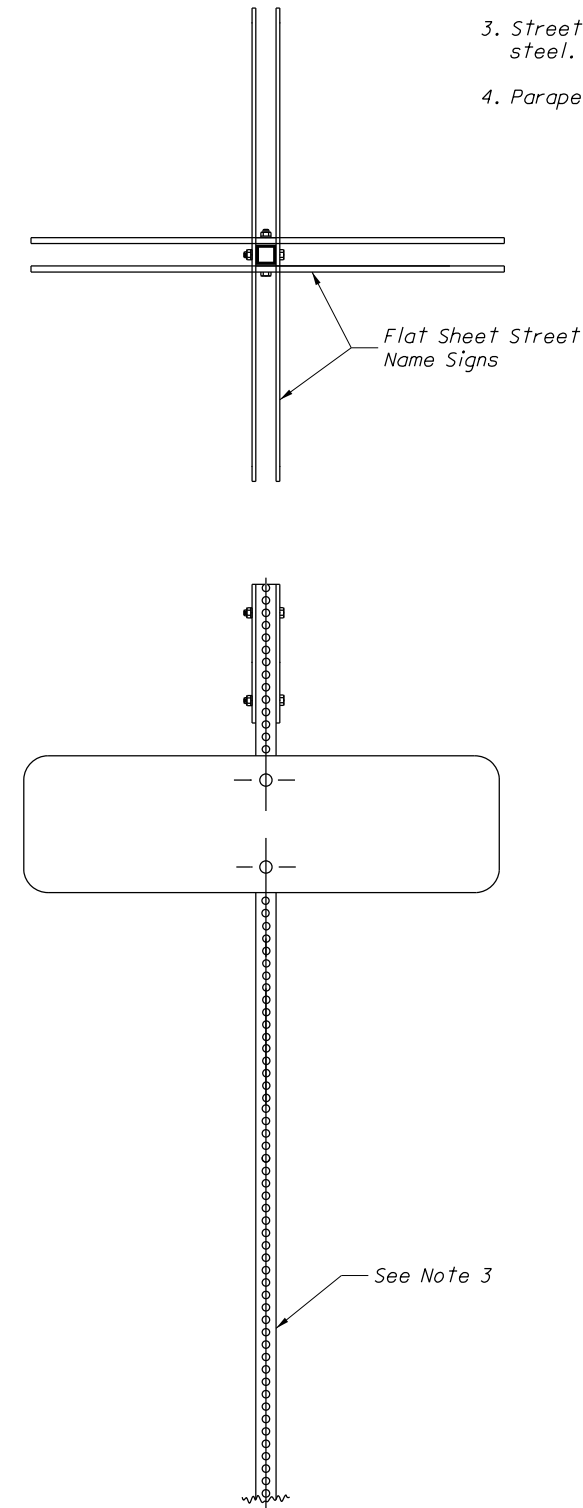
SIGN SUPPORT ASSEMBLY, POLE MOUNTED



STREET NAME SIGN SUPPORT



SIGN SUPPORT ASSEMBLY,
BRIDGE MOUNTED, TYPE 2



NOTES:

1. This support is intended for use with concrete bridge railing parapet types shown on drawings BR-1, BR-2-98, and SBR-1-99.
2. Use a minimum of 2 brackets (located 6" from top and bottom of sign) per installation with maximum spacing of 3'-0".
3. Street name sign supports shall be square tubular steel.
4. Parapet design may vary.

THIS DRAWING REPLACES TC-41.40 DATED 07-16-2004.
STANDARD ROADWAY CONSTRUCTION DRAWING

SD NUMBER	TC-41.40	STATE OF OHIO DEPARTMENT OF TRANSPORTATION ADMINISTRATOR	REVISION DATE	10-18-2013
OFFICE OF ROADWAY ENGINEERING	SPECIAL SIGN ATTACHMENTS AND SUPPORTS	ENGINEER		
		H. Suter		James Young
1	1			