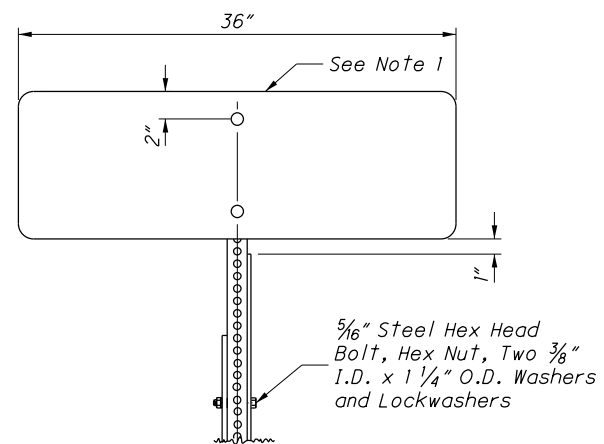
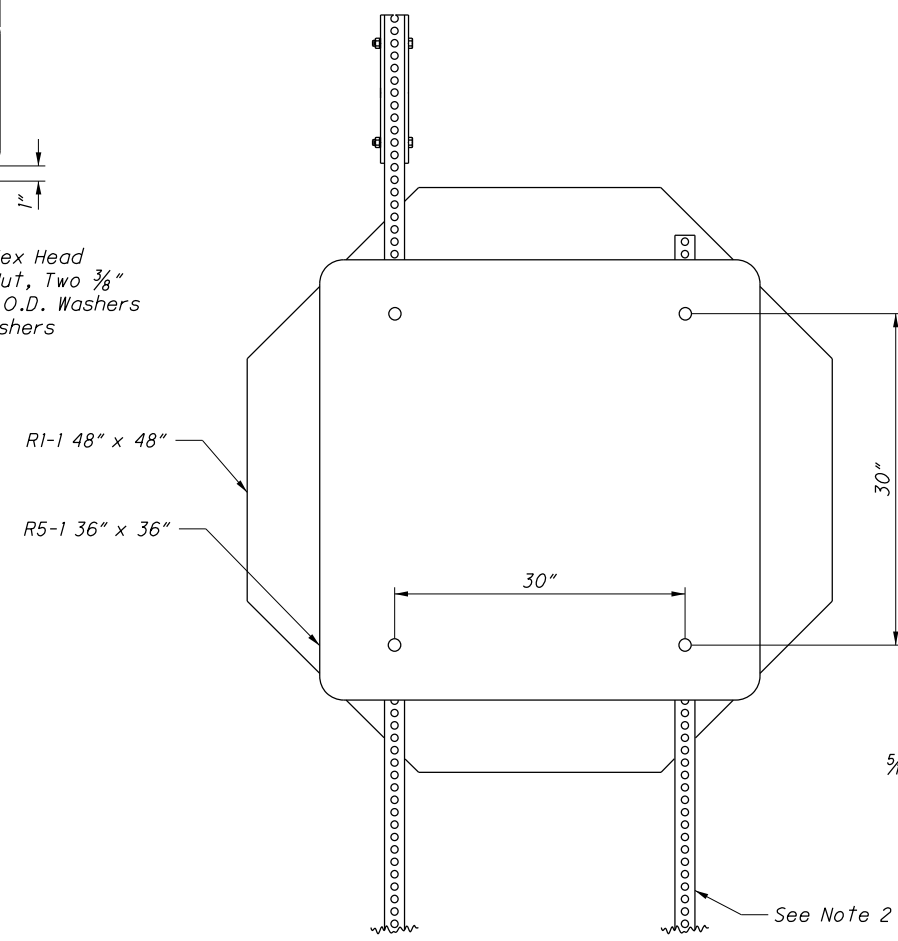


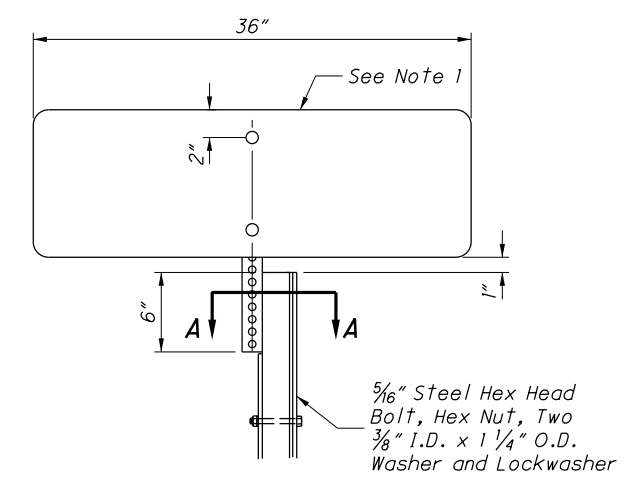
SINGLE POST



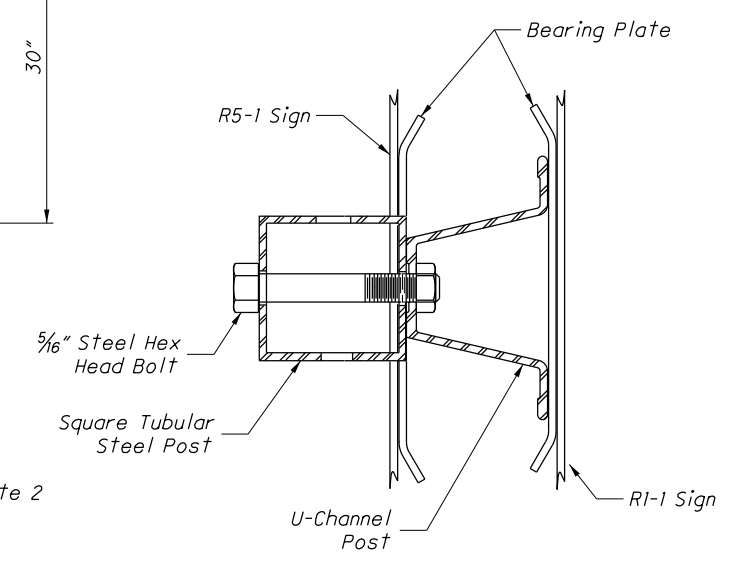
5/16" Steel Hex Head Bolt, Hex Nut, Two 3/8" I.D. x 1 1/4" O.D. Washers and Lockwashers



TWO POST



ALTERNATE ONE WAY SIGN ATTACHMENT



SECTION A-A

- NOTES:**
1. In special situations, a 54" x 18" R6-1 sign may be used in lieu of the 36" x 12" R6-1 sign.
 2. All supports shall be square tubular steel; however, in lieu of square tubular steel, u-channel supports may be used with the alternate ONE WAY sign attachment arrangement.
 3. For post(s) installation details, see Standard Construction Drawing TC-41.20.

STATE OF OHIO DEPARTMENT OF TRANSPORTATION ADMINISTRATOR	REVISION DATE
James Young	10-18-2013
STDS. ENGINEER	
H. Suter	
OFFICE OF ROADWAY ENGINEERING	
ONE WAY SIGN SUPPORT DETAILS	
THIS DRAWING REPLACES TC-41.50 DATED 01-18-2013.	
STANDARD ROADWAY CONSTRUCTION DRAWING	
SD NUMBER	
TC-41.50	
1 / 1	