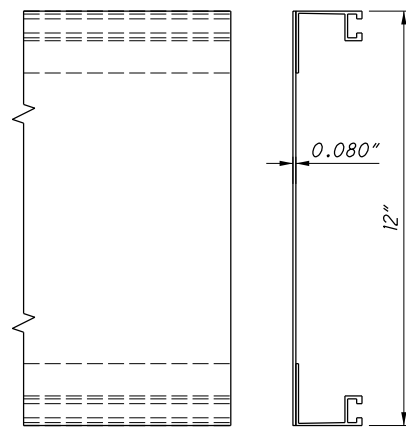
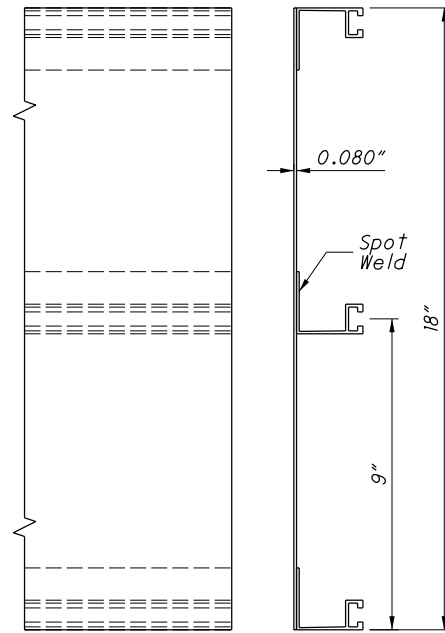


**12" BOLTED EXTRUSHEET PANEL**



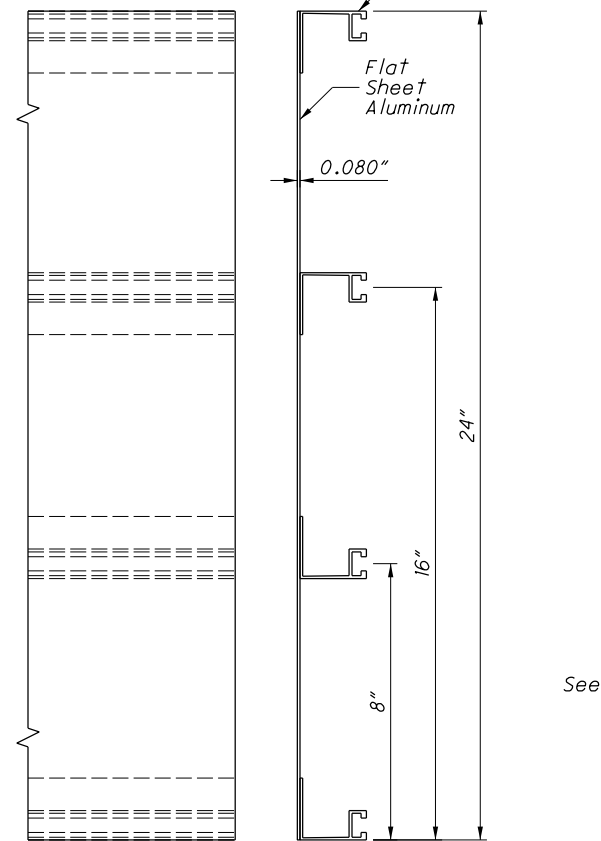
FRONT VIEW SIDE VIEW

**18" BOLTED EXTRUSHEET PANEL**



FRONT VIEW SIDE VIEW

**24" BOLTED EXTRUSHEET PANEL**



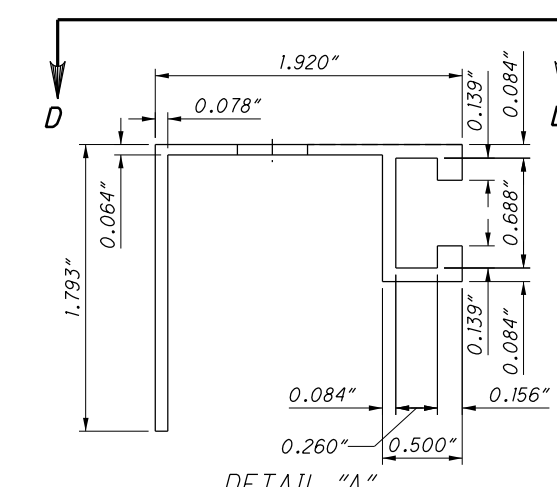
FRONT VIEW SIDE VIEW

**TABLE I**

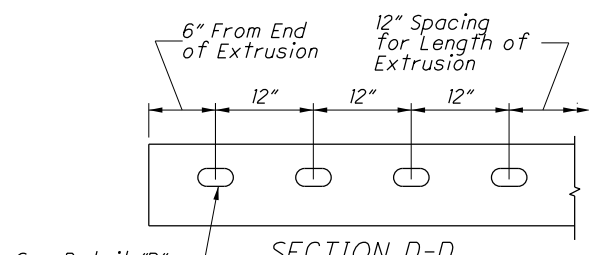
PANEL HEIGHT (INCHES)	NO. OF STIFFENERS
6	2
12	2
18	3
24	4
30	4
36	5
42	6
48	7

**NOTES:**

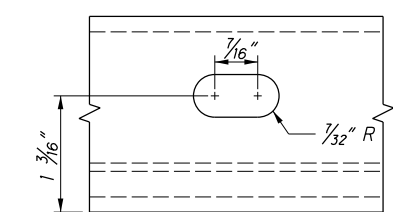
1. Spot weld aluminum extrusions to flat sheet aluminum at a maximum center-to-center spacing of 4".
2. Use a combination of 12", 18" and 24" panels erected horizontally to attain required sign height. The use of 30", 36", 42" and 48" panels is optional.
3. Bolt panels together 6" from each end, and at a maximum center-to-center spacing of 24" between end bolts.
4. Fasten panels to each vertical structural beam support with mounting clips, alternately at each horizontal extrusion, both sides at each joint, and both sides at the top and bottom edges of the sign.
5. Fasten panels to each vertical z-bar support with mounting clips at each horizontal extrusion, at each joint and at the top and bottom edges of the sign.
6. For a 6" glare shield extrusheet panel, change the 12" dimension in the 12" bolted extrusheet panel detail to 6". All other details remain the same.



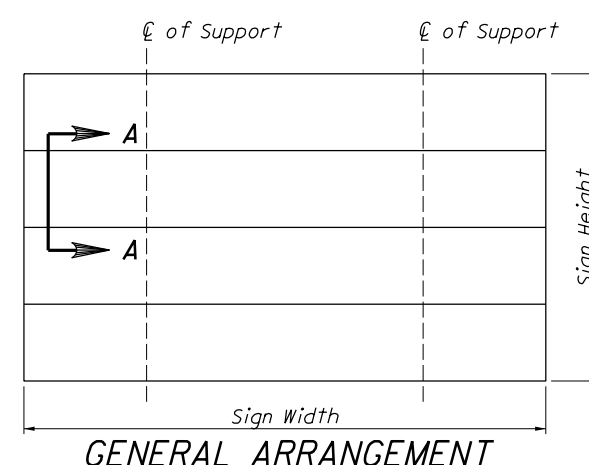
DETAIL "A"



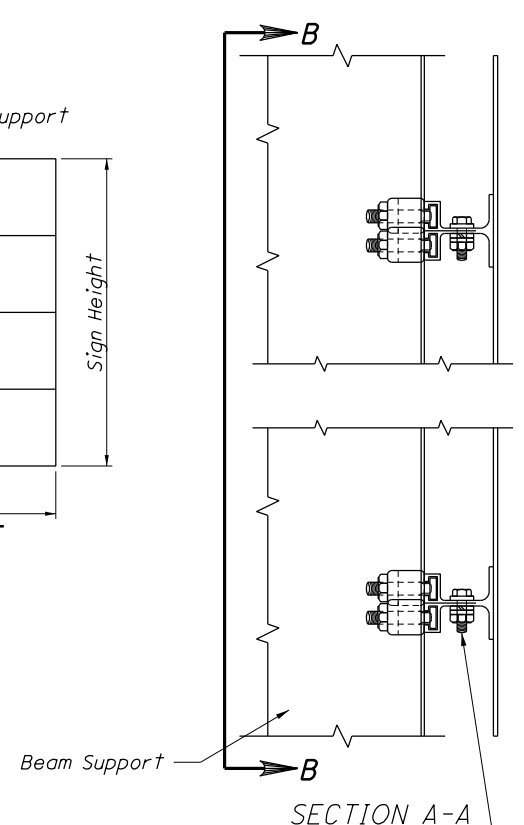
SECTION D-D



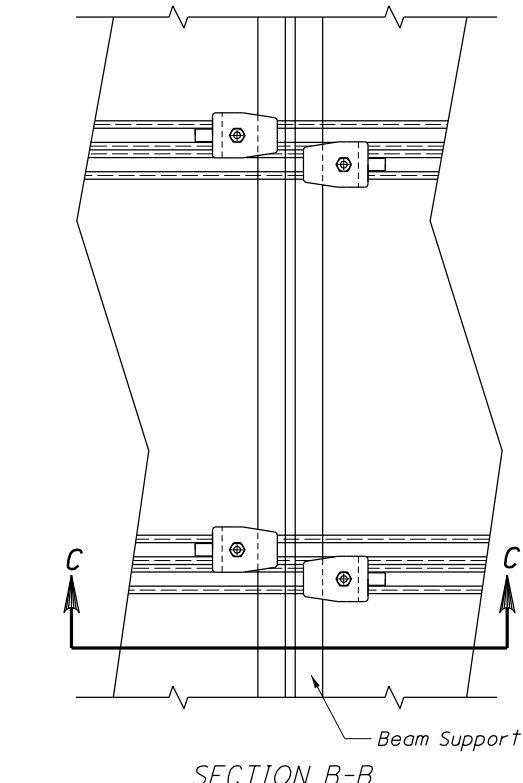
DETAIL "B"



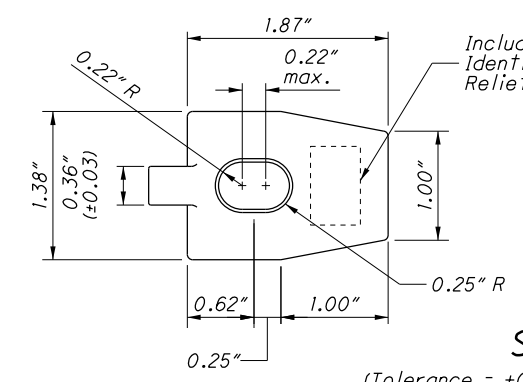
GENERAL ARRANGEMENT



SECTION A-A



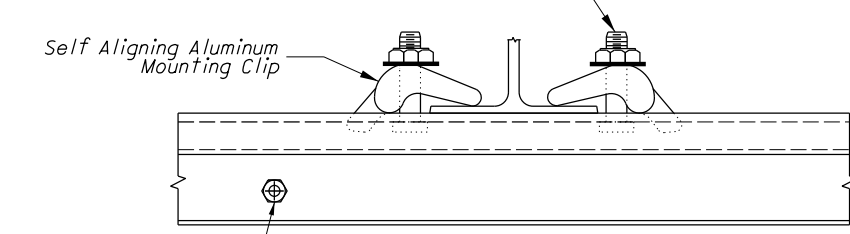
SECTION B-B



SIGN CLIP

(Tolerance = +0.10, -0.03, Except as Noted)

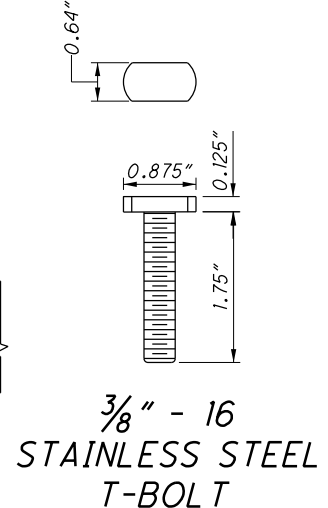
3/8" - 16 x 1 3/4" Stainless Steel T-Bolt,  
0.406" I.D. x 1.00" O.D. x 0.125" Thick  
Stainless Steel Flat Washer, and 3/8"-16  
Stainless Steel Nylon Insert Lock Nut



SECTION C-C

3/8" - 16 x 3/4" Long Aluminum Bolt, Nut, Two Flat Washers and Lockwasher on 24" Centers

3/8" - 16 x 3/4" Long Aluminum Bolt, Nut, Two Flat Washers and Lockwasher on 24" Centers



3/8" - 16 STAINLESS STEEL T-BOLT

THIS DRAWING REPLACES TC-51.11 DATED 01-17-2014.

STANDARD ROADWAY CONSTRUCTION DRAWING

**ALUMINUM BOLTED EXTRUSHEET PANEL SIGN**

SD NUMBER  
**TC-51.11**

**OFFICE OF ROADWAY ENGINEERING**

STATE ENGINEER  
Singh

STATE OF OHIO DEPARTMENT OF TRANSPORTATION ADMINISTRATOR  
David L. Holstein

REVISION DATE  
01-15-2016