

□ = TYPE C DELINEATORS, WHITE
 ■ = TYPE D DELINEATORS, YELLOW

TYPICAL DELINEATOR PLACEMENT

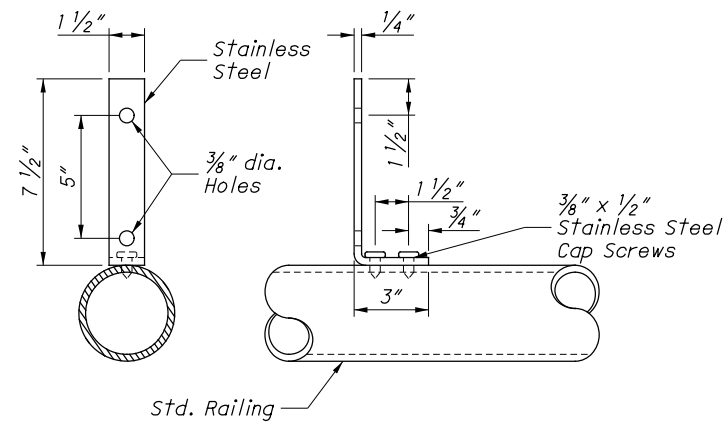
NOTES:

1. Type "C" delineators (rectangular white) shall be spaced on the right of the through roadway at 400' intervals without regard to curves. Type "D" delineators (rectangular yellow), if used, shall be located on the left of the through roadway.
2. Delineators shall be provided on at least one side of interchange ramps. Delineator reflector and flexible post color shall conform to the respective edge line color.
3. No delineators shall be placed in a paved berm.
4. When the curve radius on ramps requires less than 200' spacing, the delineators shall be placed on the outside of the curve in relation to the flow of traffic.
5. Tamper resistant fasteners shall be used to attach delineators to brackets.
6. Omit delineators if within 50' of a mile marker.

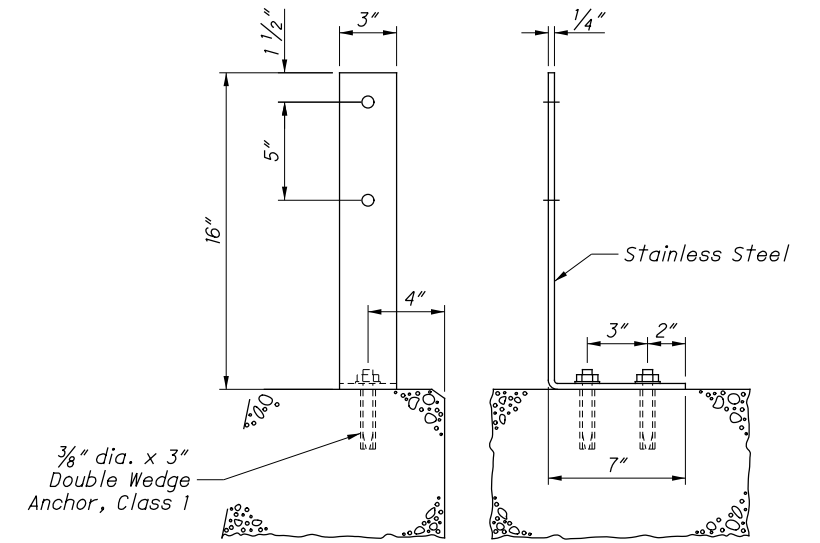
SPACING ON RAMP HORIZONTAL CURVES

RADII (FT)		DEGREE OF CURVE (MAX)	SPACING ON CURVE (FT)	TRANSITION * SPACING (FT)
FROM	TO			
TANGENT	1201	5	200	200
	1200	6	100	200
	1000	7	90	200
	800	9	80	160
	600	12	70	140
	475	19	60	120
	300	-	50	100

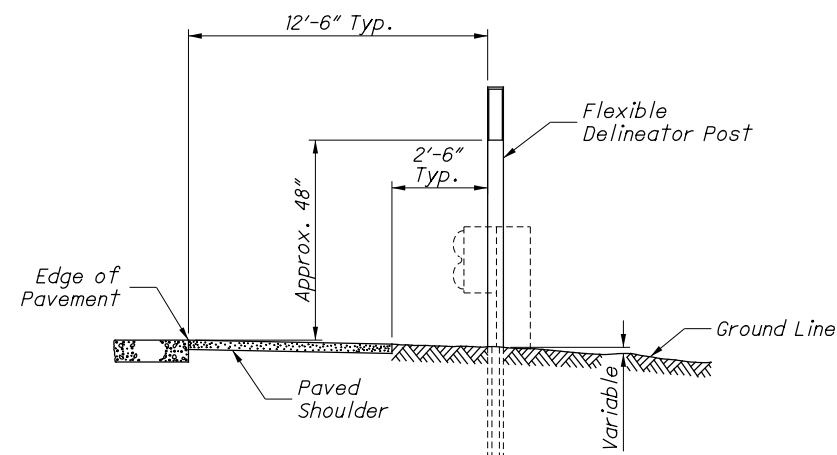
* From Tangent to 12° Curve, Transition Spacing = 200' to 140' to 70'
 From 19° Curve to Tangent, Transition Spacing = 60' to 120' to 200'



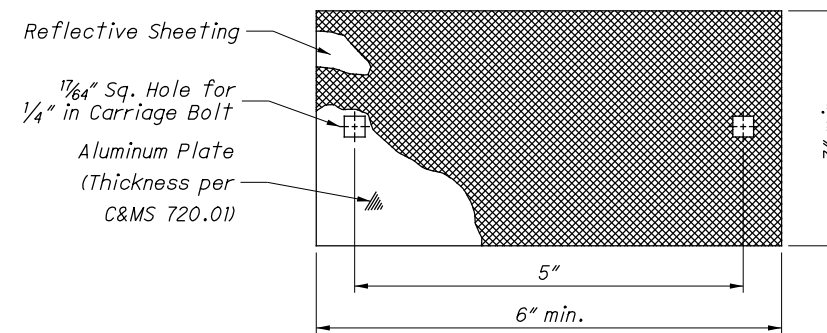
BRIDGE RAIL BRACKET



BRIDGE PARAPET BRACKET



LATERAL PLACEMENT



TYPE "C" & "D" DELINEATOR

Dimensions Given Apply Only to Removable Reflector Plates as Used with Bridge Brackets.