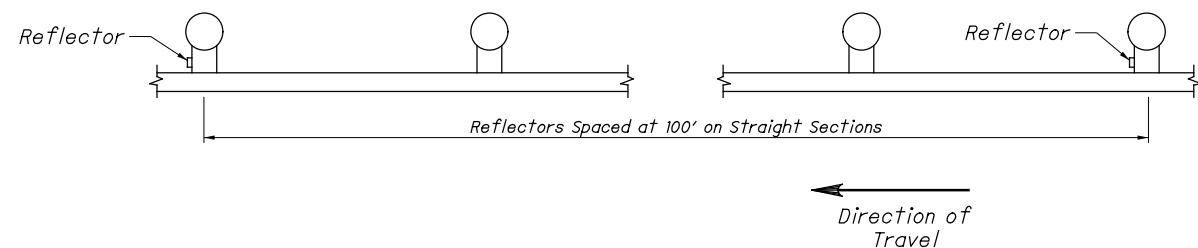
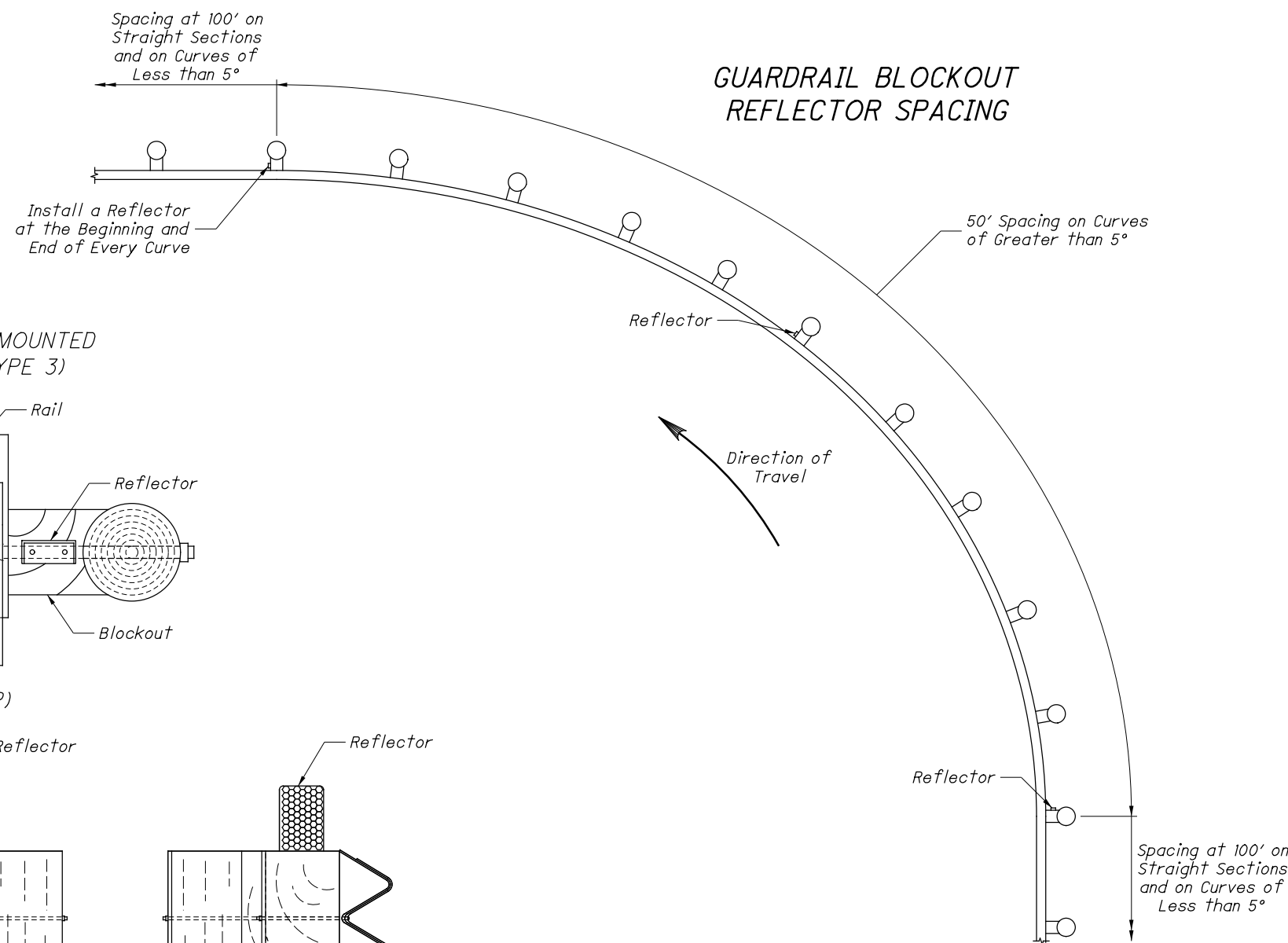


GUARDRAIL BLOCKOUT REFLECTOR SPACING



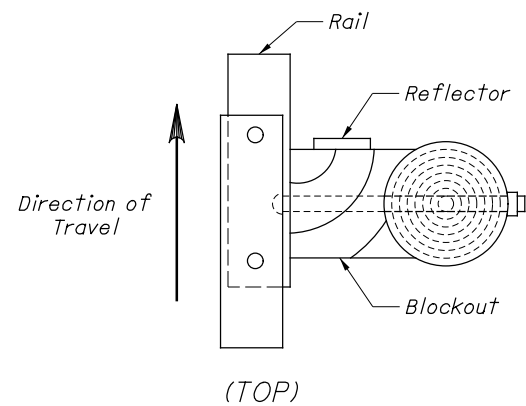
NOTES:

1. Guardrail blockout reflectors shall conform with C&MS 726.01.

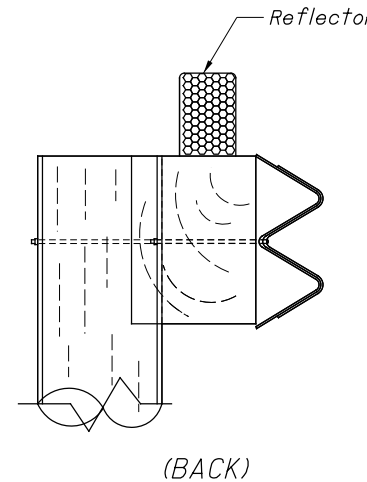
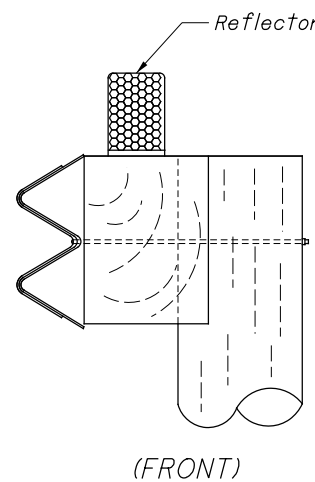
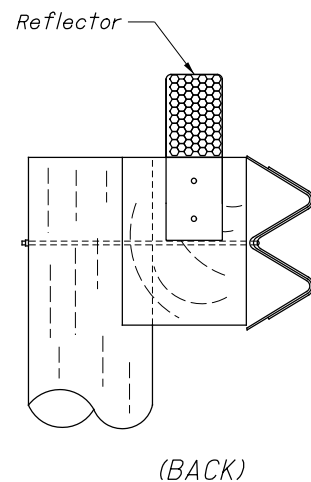
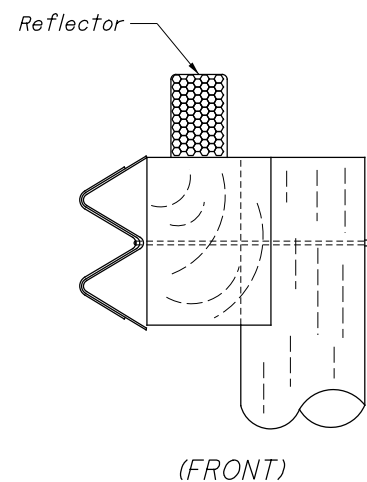
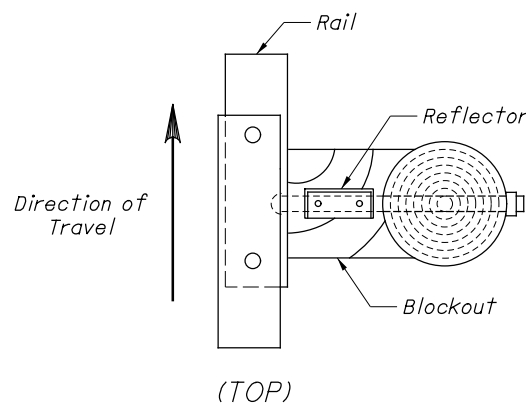


GUARDRAIL BLOCKOUT REFLECTOR SPACING

SIDE-MOUNTED (TYPES 2, 4 & 5)



TOP-MOUNTED (TYPE 3)



**GUARDRAIL BLOCKOUT REFLECTOR POSITION
INSTALL PER CMS 626**

THIS DRAWING REPLACES TC-61.30 DATED 01-20-2017.

SD NUMBER

TC-61.30

STANDARD ROADWAY CONSTRUCTION DRAWING

GUARDRAIL BLOCKOUT REFLECTOR PLACEMENT

**OFFICE OF
ROADWAY
ENGINEERING**

STDS
ENGINEER

Soisson

STATE OF OHIO DEPARTMENT OF
TRANSPORTATION ADMINISTRATOR

David L. Holstein

REVISION DATE

07-19-2019