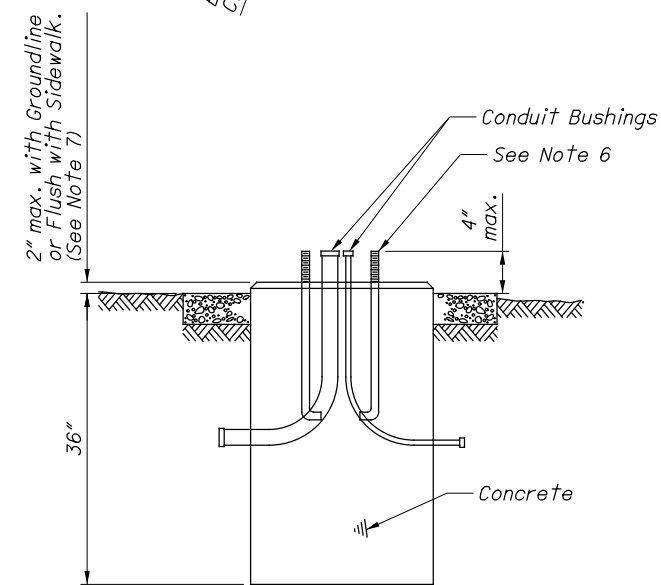
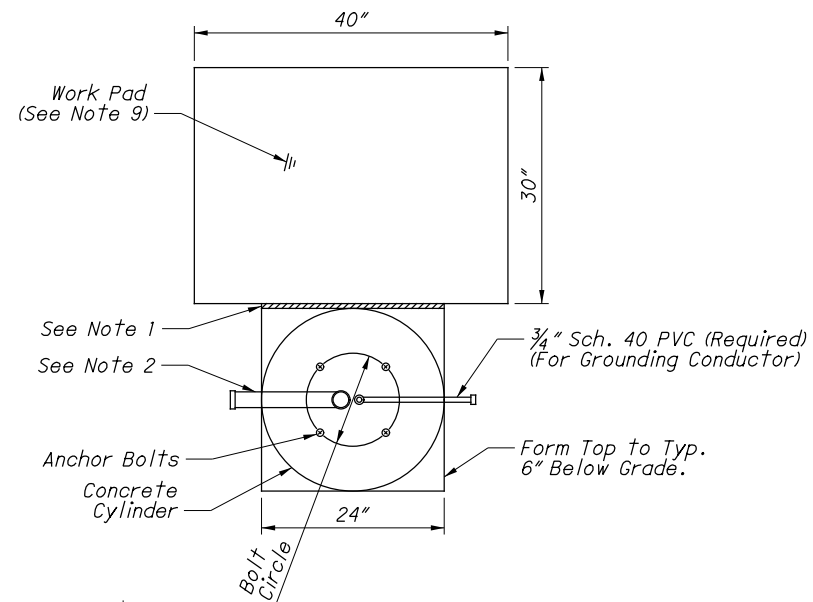


TS-1:

TYPE	W (IN)	D (IN)	FOUNDATION CONCRETE	WORK PAD
M36	40	24	0.82 C.Y.	0.96 S.Y.
P44	50	36	1.54 C.Y.	1.24 S.Y.

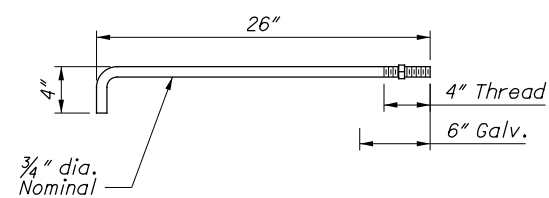
TS-2:

SIZE	W (IN)	D (IN)	FOUNDATION CONCRETE	WORK PAD
7	50	36	1.54 C.Y.	1.24 S.Y.



FOUNDATION CONCRETE	WORK PAD
0.42 C.Y.	0.96 S.Y.

PEDESTAL FOUNDATION



PEDESTAL ANCHOR BOLT  
ASTM A307 STEEL

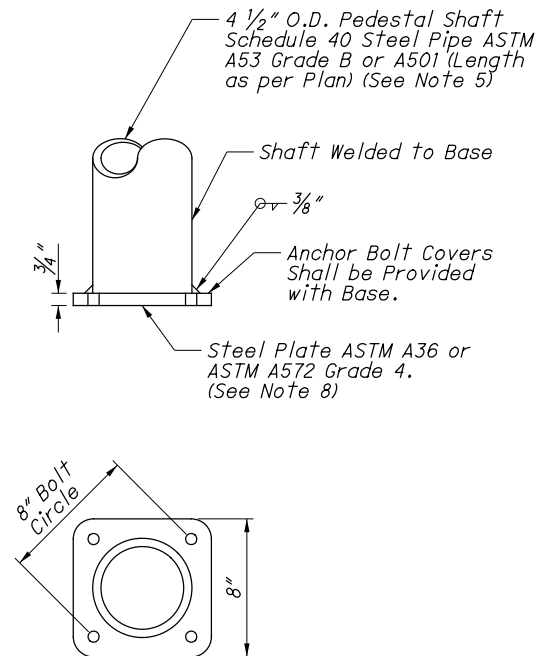
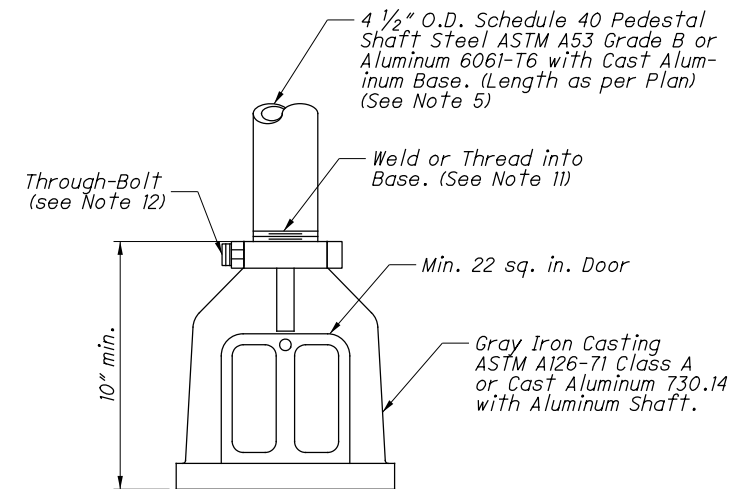


PLATE PEDESTAL BASE

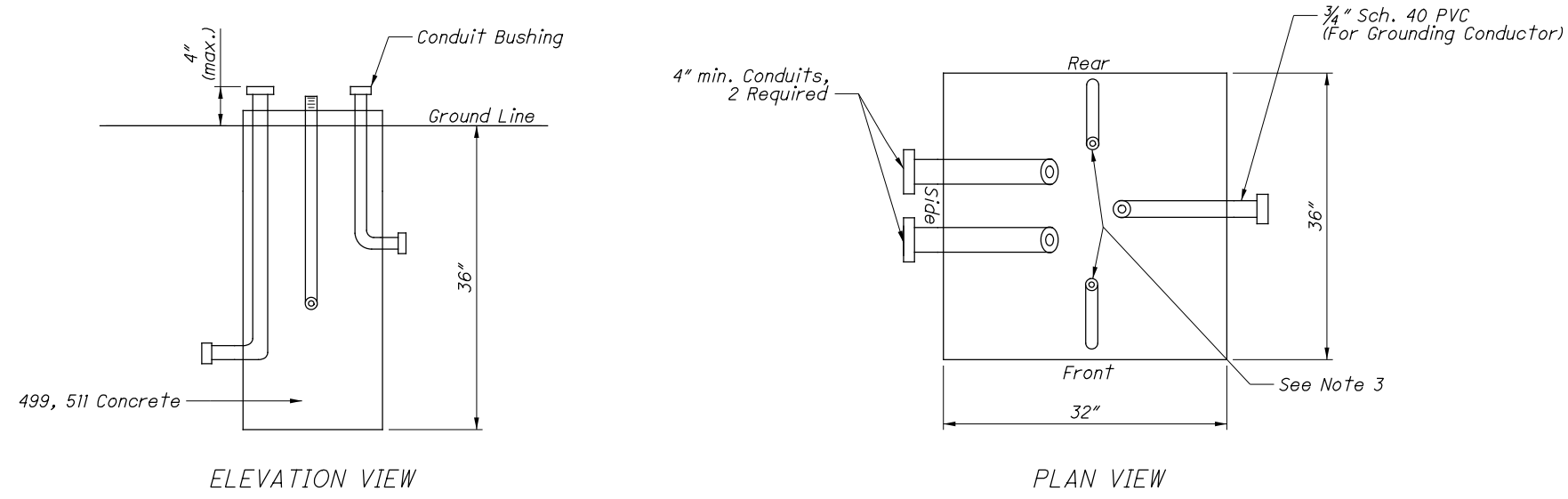


TRANSFORMER TYPE  
PEDESTAL BASE

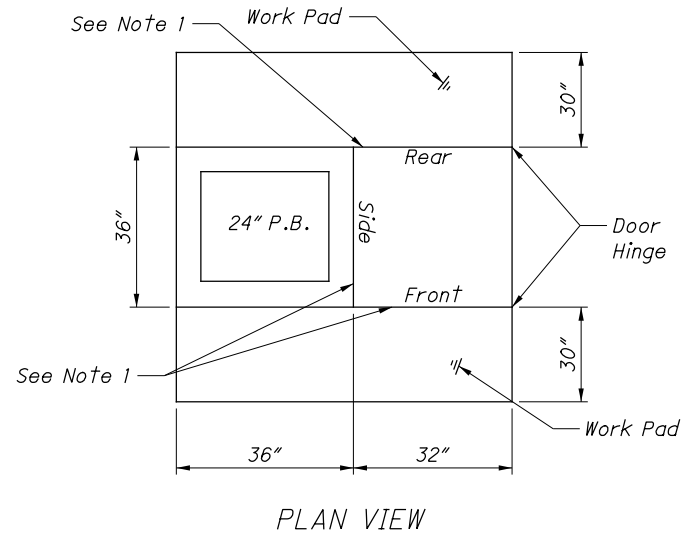
NOTES:

- 1/2" preformed joint filler as per CMS 705.03 shall be used between foundations and adjacent paved areas.
- For cabinets, 4" minimum, 2 required. For pedestals, as shown in the plans.
- The size, number and location of anchor bolts shall be in accordance with the manufacturer's recommendations.
- All pedestals shall be provided with a method of securely attaching a 4 AWG insulated copper grounding conductor to the pedestal or anchor bolt. No cables or connections shall be external to the pedestal.
- The pedestal shaft length as shown in the plans includes the pedestal base height for either base design. The maximum Equivalent Physical Area (EPA) of pedestal-mounted signal devices shall be 8 square feet (3-section head with backplate) at a bottom mounting height of 12' or less. Larger devices should be mounted on HL-10.13 bases and poles.
- The pedestal base shall set on the foundation top without grouting, preformed fillers or leveling nuts under the base. Steel shims may be used under the base for leveling the installation.
- The foundation area of contact with the pedestal base shall be level. If adjacent paved areas slope, the remainder of the foundation top shall be beveled to meet the adjacent elevations.
- A cast steel anchor base of equivalent strength may be used in lieu of the base plate.
- A 4" thick work pad shall be provided unless in an otherwise paved area. When required, this item shall be paid for under Item 633 Controller Work Pad. In level areas the top of the pad shall be 1" above the ground line. In steeply sloped areas the pad's location shall be adjusted to provide access and drainage.
- Ground mounted controller cabinets shall be sealed to the foundation with a flexible weatherproof clear, silicone caulking compound.
- Threaded shaft connections into transformer-type pedestal bases shall resist rotation through the use of mechanical fasteners. A galvanized or stainless steel through-bolt shall be used with a minimum diameter of 1/4" and utilizing nylock or deformed-thread nuts.
- Alternate to through-bolt: provide a deep collar on top of transformer base with three set screws of stainless steel that engage the shaft above the threads after the shaft is threaded into the base.

332/336 CABINET FOUNDATION



332/336 CONTROLLER WORK PAD  
(See Note 9)



NOTE: Pullbox Shall be Placed on Opposite Side of Door Hinge

THIS DRAWING REPLACES TC-83.20 DATED 07-15-2016.	STANDARD ROADWAY CONSTRUCTION DRAWING	STATE OF OHIO DEPARTMENT OF TRANSPORTATION ADMINISTRATOR	REVISION DATE
SD NUMBER	CABINET FOUNDATIONS AND PEDESTALS	David L. Holstein	07-21-2017
<b>TC-83.20</b>	OFFICE OF ROADWAY ENGINEERING	STOS ENGINEER	Duemmel
2 / 2			